

THIS DRAWING IS UNPUBLISHED.

RELEASED FOR PUBLICATION

---

REVISIONS

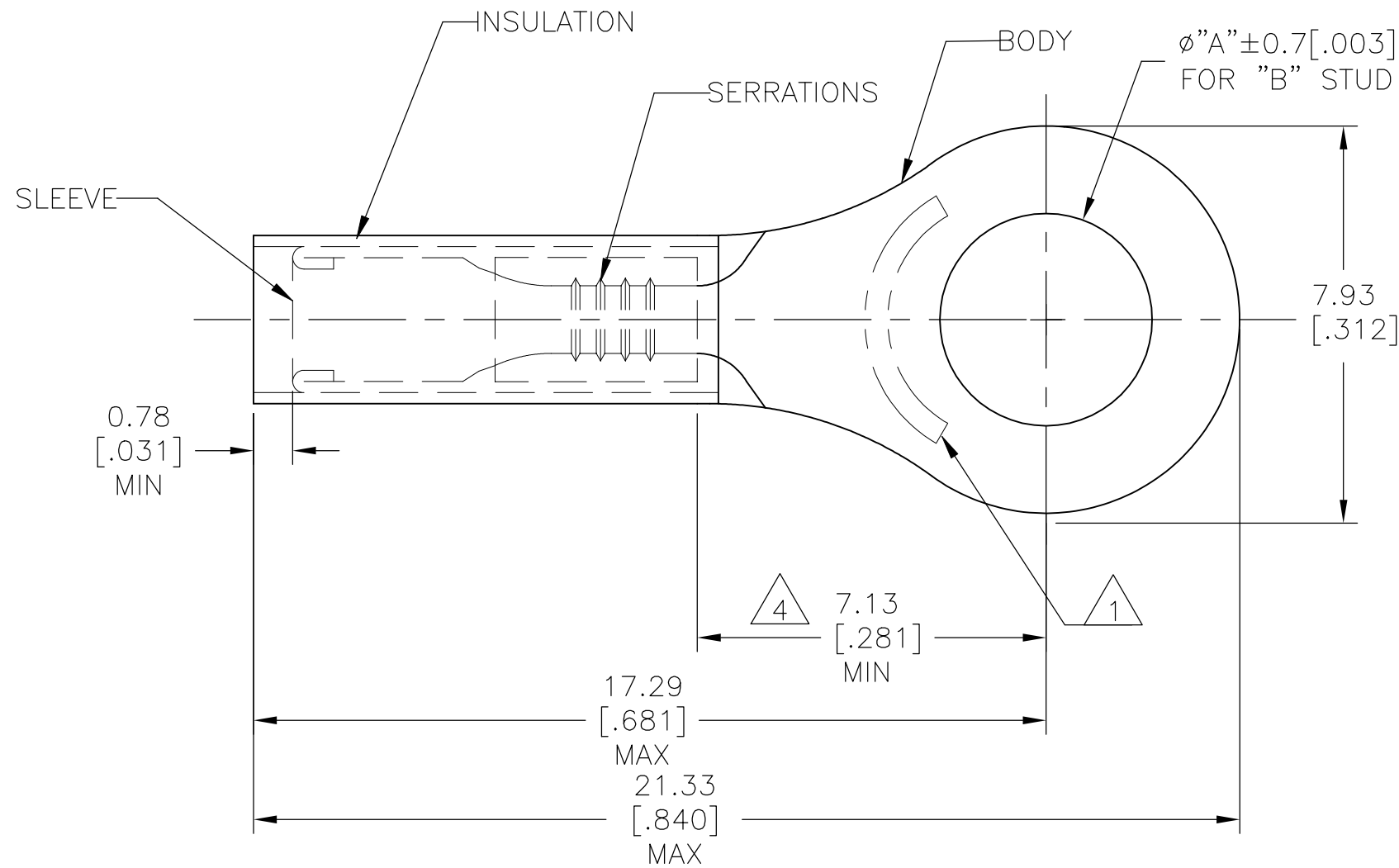
© COPYRIGHT - By - ALL RIGHTS RESERVED.

P	LTR	DESCRIPTION	DATE	DWN	APVD
	M3	REVISED PER ECO-15-016493	27NOV2015	NK	DR
	M4	REVISED PER ECO-17-016703	02APR2018	RS	DR

**AMP**  
WIRE RANGE

---

22-20 AWG  
STRANDED



- 1 STAMP AMP 22-20 APPROX AS SHOWN
- 2 FOR 0.88[.035] TO 2.54[.100] WIRE INSULATION DIA
- 3 BODY MATERIAL THK: 0.58±0.05[.023±.002]
- 4 DIMENSION APPLIES FROM EDGE OF METAL WIRE BARREL TO CENTER OF STUD HOLE.
- 5 BODY: MATERIAL - COPPER ASTM B152  
FINISH - GOLD PLATE ASTM B488  
TYPE I, CODE C 0.0012[.00005] MIN EXT. THK. OVER  
NICKEL PLATE SAE AMS QQ-N-290  
0.00076[.00003] AVG EXT. THK.
- 6 SLEEVE: MATERIAL - COPPER ASTM B152  
FINISH - NICKEL PL. SAE AMS QQ-N-290  
0.00076 [.00003] AVG EXT. THK.
- 7 INSULATION:  
MATERIAL - PTFE (ASTM D3295)  
COLOR: GREEN
- 8 NOTE DELETED

7	#10	5.00[.197]	1000	LOOSE PIECE	1-332434-0
7	M4[#8]	4.34[.171]	1000	LOOSE PIECE	332434
	"B"	"A"	QTY	PACKAGE TYPE	PART NO.

AMP INCORPORATED  
CUSTOMER SERVICE SYSTEMS

MAX RECOMMENDED OPERATING TEMPERATURE:  
260°C [500°F]

THIS DRAWING IS A CONTROLLED DOCUMENT.

DWN JR RUTH 28JAN03



FOR ADDITIONAL PRODUCT INFORMATION OR COPIES OF DRAWINGS AND TECHNICAL DOCUMENTS

PRODUCT INFORMATION CENTER  
1-800-522-6752

VOLTAGE RATING:  
300V MAX

DIMENSIONS:  
mm [INCHES]

TOLERANCES UNLESS OTHERWISE SPECIFIED:

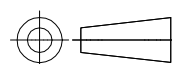
CHK T MICHIELUTTI 28JAN03

NAME  
TERMINAL, PIDG,  
STRATO-THERM, RING TONGUE,  
22-20 AWG

FOR APPLICATION TOOLING INFORMATION

TOOLING ASSISTANCE CENTER  
1-800-722-1111

CIRCULAR MIL AREA:  
0.26-0.65mm²[509-1,290]  
STRANDED WIRE ONLY



0 PLC ± -  
1 PLC ± 0.5 [.02]  
2 PLC ± 0.12 [.005]  
3 PLC ± -  
4 PLC ± -  
ANGLES ± 1°

APVD T MICHIELUTTI 28JAN03

SIZE CAGE CODE DRAWING NO RESTRICTED TO

FOR ORDER ENTRY 1-800-526-5142

MATERIAL 5 6 7

FINISH 5 6 7

PRODUCT SPEC

APPLICATION SPEC

WEIGHT

A3 00779 C-332434

CUSTOMER DRAWING

SCALE 8:1 SHEET 1 OF 1 REV M4

## X-ON Electronics

Largest Supplier of Electrical and Electronic Components

*Click to view similar products for [Terminals](#) category:*

*Click to view products by [TE Connectivity](#) manufacturer:*

Other Similar products are found below :

[00-054007-01074-6](#) [00-054007-70206-1](#) [00-054007-70210-8](#) [00-054007-70217-7](#) [00-054007-70226-9](#) [00-054007-70228-3](#) [00-054007-70248-1](#) [00-054007-70256-6](#) [00-054007-70301-3](#) [00-054007-70316-7](#) [00-054007-49560-4](#) [00-054007-70209-2](#) [00-054007-70225-2](#) [00-054007-70227-6](#) [00-054007-70231-3](#) [00-054007-70241-2](#) [00-054007-70242-9](#) [00-054007-70244-3](#) [00-054007-70246-7](#) [00-054007-70263-4](#) [00-054007-70288-7](#) [00-054007-70290-0](#) [00-054007-70300-6](#) [00-054007-70304-4](#) [01-2065-1-0216](#) [01-2900-1-04412](#) [00581P0075](#) [600TS-10](#) [60205-1](#) [604200-1](#) [605601-1](#) [60598-1-CUT-TAPE](#) [61314-6-C](#) [61810-3](#) [61-S](#) [61-SN](#) [626-0194](#) [62-NBM-A](#) [62-SN](#) [62-SP](#) [63-S](#) [640179-1](#) [M55155/059I03](#) [M55155/079C01](#) [M55155/099H02](#) [M55155/109H01](#) [M55155/109H02](#) [M55155/12XH05](#) [M55155/16XH02](#) [M55155/29-5S](#)