

4

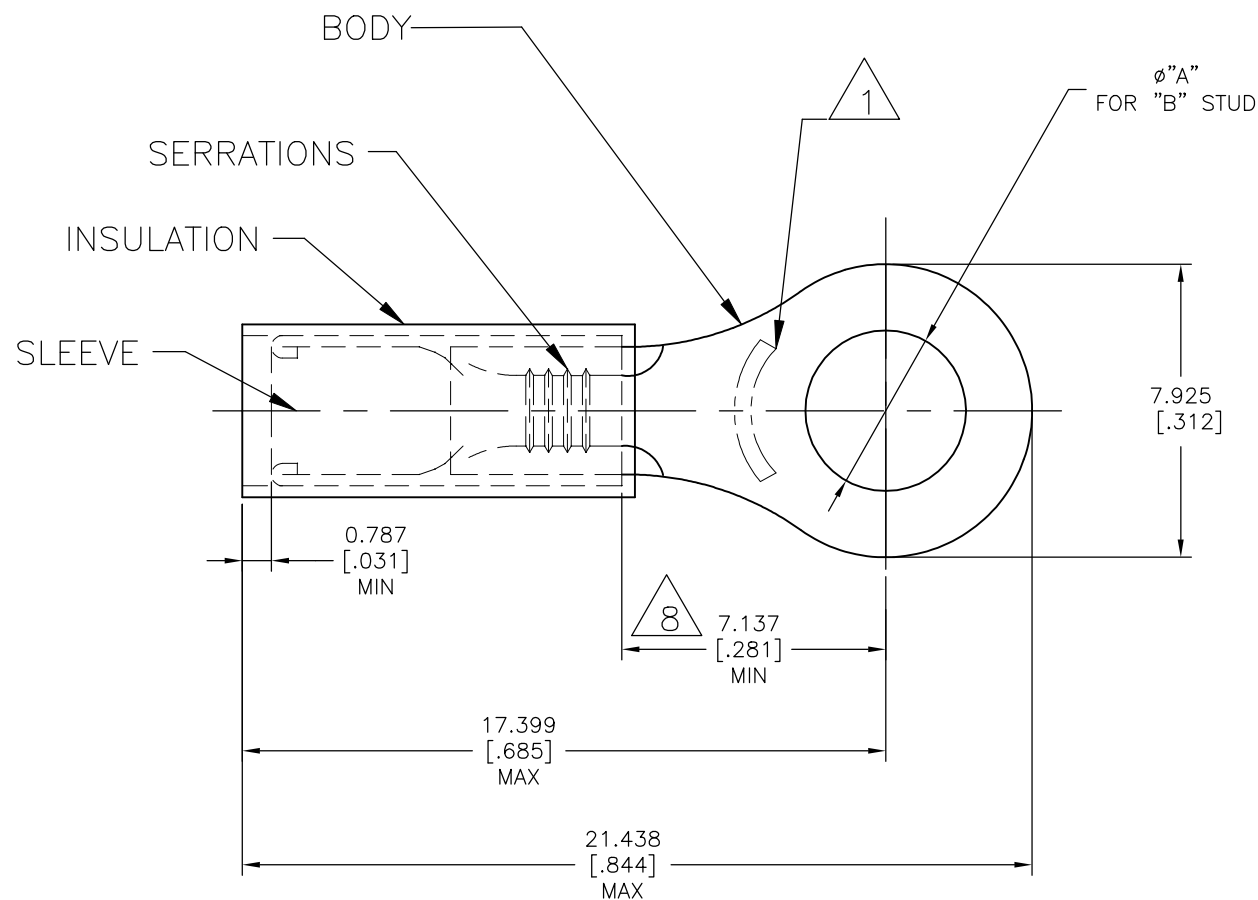
3

2

1

THIS DRAWING IS UNPUBLISHED. RELEASED FOR PUBLICATION  
 © COPYRIGHT - By - ALL RIGHTS RESERVED.

REVISIONS				
P	LTR	DESCRIPTION	DATE	APVD
H6		REVISED PER ECO-15-016493	27NOV2015	NK DR
H7		REVISED PER ECO-17-016703	02APR2018	RS DR



- 1 STAMP "AMP 18-16\*" APPROX AS SHOWN
- 2 FOR 1.397[.055] TO 3.429[.135] WIRE INSULATION DIA.
- 3 BODY MATERIAL THK: 0.787±0.051 [.031±.002]
- 4 BODY: MATERIAL: COPPER ASTM B152  
FINISH: GOLD PL. PER ASTM B488, TYPE 1 CODE C, 0.00254 [.000100] MIN EXT THK OVER NICKEL PER SAE AMS QQ-N-290 0.00076 [.000030] EXT. THK.
- 5 SLEEVE: MATERIAL: COPPER ASTM B152  
FINISH: NICKEL PL. SAE AMS QQ-N-290 0.00076 [.000030] AVG EXT THK.
- 6 INSULATION: MATERIAL: PTFE (ASTM D3295)  
COLOR: ORANGE
- 7 NOTE DELETED
- 8 DIMENSION APPLIES FROM EDGE OF METAL WIRE BARREL TO CENTER OF STUD HOLE

6	1000	LOOSE PIECE	#10	5.004±0.076 [.197±.003]	1-332454-0
	PACKAGE QTY	PACKAGE TYPE	"B"	"A"	PART NO.

AMP INCORPORATED CUSTOMER SERVICE SYSTEMS		MAX RECOMMENDED OPERATING TEMPERATURE: 260°C [500°F]
FOR ADDITIONAL PRODUCT INFORMATION OR COPIES OF DRAWINGS AND TECHNICAL DOCUMENTS	PRODUCT INFORMATION CENTER 1-800-522-6752	VOLTAGE RATING: 300V MAX
FOR APPLICATION TOOLING INFORMATION	TOOLING ASSISTANCE CENTER 1-800-722-1111	CIRCULAR MIL AREA: 0.81-1.42mm² [1,600-2,800] STRANDED WIRE ONLY
FOR ORDER ENTRY	1-800-526-5142	

THIS DRAWING IS A CONTROLLED DOCUMENT.	
DIMENSIONS: mm [INCHES]	TOLERANCES UNLESS OTHERWISE SPECIFIED:
	0 PLC ± -
	1 PLC ± -
	2 PLC ± -
	3 PLC ± 0.127[.005]
	4 PLC ± -
	ANGLES ± -
MATERIAL	FINISH
4 5 6	4 5 6

DWN JR RUTH 11JUL05	TE Connectivity Ltd.  TERMINAL, PIDG, STRATO-THERM, RING TONGUE, WIRE SIZE: 18-16
CHK T MICHIELUTTI 11JUL05	
APVD T MICHIELUTTI 11JUL05	
PRODUCT SPEC	
APPLICATION SPEC	NAME
WEIGHT	SIZE
CUSTOMER DRAWING	CAGE CODE
SCALE 5:1	DRAWING NO
SHEET 1 OF 1	RESTRICTED TO
REV H7	

## X-ON Electronics

Largest Supplier of Electrical and Electronic Components

*Click to view similar products for [Terminals](#) category:*

*Click to view products by [TE Connectivity](#) manufacturer:*

Other Similar products are found below :

[00-054007-01074-6](#) [00-054007-70206-1](#) [00-054007-70210-8](#) [00-054007-70217-7](#) [00-054007-70226-9](#) [00-054007-70228-3](#) [00-054007-70248-1](#) [00-054007-70256-6](#) [00-054007-70301-3](#) [00-054007-70316-7](#) [0-0320562-0](#) [00-054007-49560-4](#) [00-054007-70209-2](#) [00-054007-70225-2](#) [00-054007-70227-6](#) [00-054007-70231-3](#) [00-054007-70241-2](#) [00-054007-70242-9](#) [00-054007-70244-3](#) [00-054007-70246-7](#) [00-054007-70263-4](#) [00-054007-70288-7](#) [00-054007-70290-0](#) [00-054007-70300-6](#) [00-054007-70304-4](#) [01-2065-1-0216](#) [01-2900-1-04412](#) [00581P0075](#) [600TS-10](#) [60205-1](#) [604200-1](#) [605601-1](#) [60598-1-CUT-TAPE](#) [61314-6-C](#) [61810-3](#) [61-S](#) [61-SN](#) [626-0194](#) [62-NBM-A](#) [62-SN](#) [62-SP](#) [63-S](#) [640179-1](#) [M55155/059I03](#) [M55155/079C01](#) [M55155/099H02](#) [M55155/109H01](#) [M55155/109H02](#) [M55155/12XH05](#) [M55155/16XH02](#)