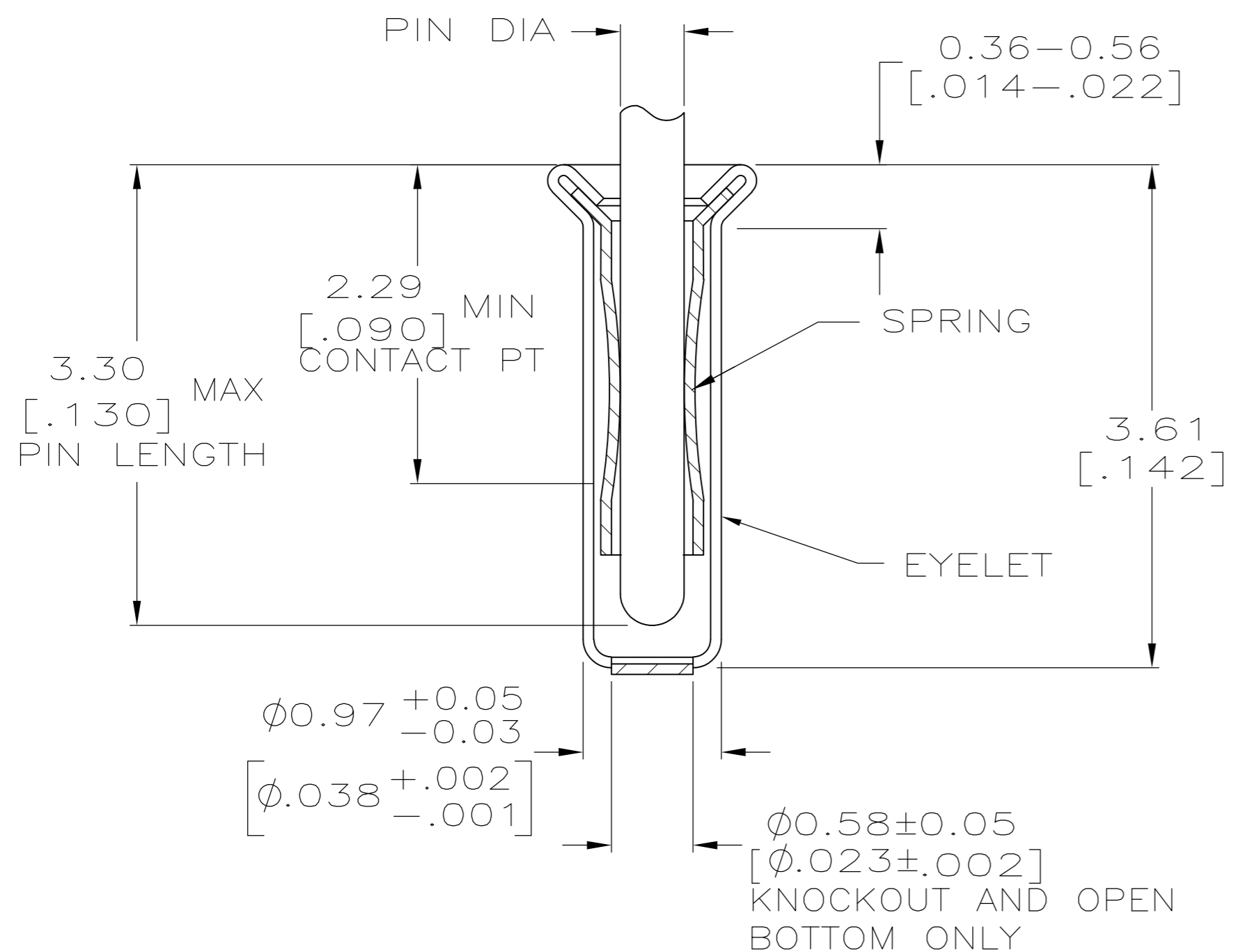
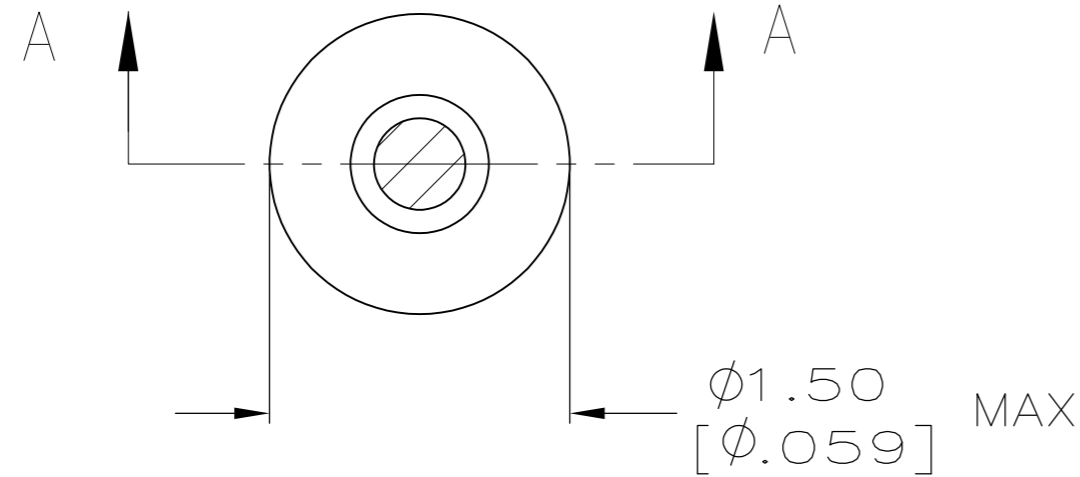


THIS DRAWING IS UNPUBLISHED. RELEASED FOR PUBLICATION  
 © COPYRIGHT - By - ALL RIGHTS RESERVED.

LOC		DIST		REVISIONS			
P	LTR	DESCRIPTION		DATE	DWN	APVD	
CB5		REVISED PER ECO-11-004835		11MAR11	RK	HMR	



SECTION A-A

9 OBSOLETE PARTS: OBSOLETE CIS STREAMLINING PER D.RENAUD/D.SINISI

- 1 TIN PER MIL-T-10727 OR TIN LEAD .000254 [.000100] MIN THK.
- 2 GOLD PER MIL-G-45204, TYPE II, 0.00076 [.000030] MIN THK OVER NICKEL PER QQ-N-290 0.00028 [.000011] MIN THK ON CONTACT AREA.
- 3 GOLD FLASH PER MIL-G-45204, TYPE II, 0.13  $\mu\text{m}$  [.000005] MIN THK. OVER NICKEL PLATE PER QQ-N-290 0.51  $\mu\text{m}$ -1.52  $\mu\text{m}$  [.000020-.000060] EXT THK.
- 4. RECOMMENDED HOLE SIZE, PLATED OR UNPLATED:  
 MACHINE INSERTION: 1.04  $\pm$  0.05 [ $.041 \pm .002$ ]  
 HAND INSERTION: 1.02  $^{+0.10}_{-0.00}$  [ $.040^{+0.004}_{-.000}$ ]
- 5. APPLICATION TOOL PART NUMBER:  
 MACHINE NO. 682127-2  
 INSERTION HEAD NO. 682039-1
- 6 TO INSURE PROPER SPRING TENSION DO NOT EXCEED A 0.10 [.004] DIFFERENCE IN PIN DIA WHEN CHANGING TO A SMALLER PIN.
- 7. BOTTOM PLUG KNOCKOUT TOOL PART NUMBER 69729 WITH TIP PART NUMBER 69728.
- 8 MATERIAL: SPRING: BERYLLIUM COPPER (QQ-C-533)  
 EYELET: COPPER (QQ-C-576)

OBSCLETE	CLOSED	0.33-0.51 [.013-.020]	GOLD 3	GOLD 2	9-330808-3
		0.33-0.51 [.013-.020]	TIN 1	TIN 1	9-330808-2
			GOLD 3	GOLD 2	7-330808-5
			TIN 1	TIN 1	7-330808-4
			GOLD 3	GOLD 2	7-330808-3
			TIN 1	TIN 1	7-330808-2
SUPSD BY 5-330808-3	KNOCKOUT	0.46-0.51 [.018-.020]	GOLD 3	GOLD 2	7-330808-1
SUPSD BY 3-330808-8			TIN 1	TIN 1	7-330808-0
9 OBSOLETE	OPEN		TIN 1	TIN 1	6-330808-9
OBSOLETE			GOLD 3	GOLD 2	6-330808-8
OBSOLETE			TIN 1	TIN 1	6-330808-7
	CLOSED	0.33-0.51 [.013-.020]	TIN 1	GOLD 2	6-330808-5
OBSOLETE	OPEN	0.25-0.33 [.010-.013]	TIN 1	GOLD 2	5-330808-6
	KNOCKOUT	0.33-0.51 [.013-.020]	TIN 1	GOLD 2	5-330808-4
SUPSD BY 5-330808-3			GOLD 3	GOLD 2	5-330808-3
SUPSD BY 5-5330808-4	CLOSED	0.25-0.33 [.010-.013]	TIN 1	TIN 1	5-330808-1
OBSOLETE	OPEN	0.33-0.51 [.013-.020]	GOLD 3	GOLD 2	5-330808-0
OBSOLETE			TIN 1	TIN 1	4-330808-8
OBSOLETE	OPEN	0.25-0.33 [.010-.013]	GOLD 3	GOLD 2	4-330808-7
OBSOLETE			TIN 1	TIN 1	4-330808-2
OBSOLETE	OPEN	0.25-0.33 [.010-.013]	TIN 1	TIN 1	4-330808-1
OBSOLETE	KNOCKOUT	0.33-0.51 [.013-.020]	GOLD 3	GOLD 2	3-330808-8
OBSOLETE			TIN 1	TIN 1	3-330808-7
			TIN 1	TIN 1	3-330808-1
	CLOSED	0.33-0.51 [.013-.020]	GOLD 3	GOLD 2	2-330808-8
			TIN 1	TIN 1	2-330808-7
SUPSD BY 5-330808-0			GOLD 3	GOLD 2	2-330808-2
OBSOLETE			TIN 1	TIN 1	2-330808-1
			TIN 1	TIN 1	2-330808-1
	BOTTOM TYPE	RECOMMENDED PIN DIA 6	EYELET	SPRING	PART NO

THIS DRAWING IS A CONTROLLED DOCUMENT. DWN R. TALLEY 4-5-91  
 CHK S. ROBERTSON 8-22-91  
 APVD R. MILLER 8-22-91

DIMENSIONS: mm [INCHES] TOLERANCES UNLESS OTHERWISE SPECIFIED:  
 0 PLC ± -  
 1 PLC ± -  
 2 PLC ± -  
 3 PLC ± 0.20 [.008]  
 4 PLC ± -  
 ANGLES ± -

MATERIAL FINISH SEE TABLE WEIGHT -

TE Connectivity  
 MINIATURE SPRING SOCKET ASSEMBLY

SIZE A2 CAGE CODE 00779 DRAWING NO C=330808 RESTRICTED TO -  
 SCALE 20:1 SHEET 1 OF 1 REV CB5

## X-ON Electronics

Largest Supplier of Electrical and Electronic Components

*Click to view similar products for IC & Component Sockets category:*

*Click to view products by TE Connectivity manufacturer:*

Other Similar products are found below :

[0066-3-17-15-30-14-02-0](#) [670](#) [672](#) [673](#) [694-13-640-00-672-000](#) [712-93-120-41-001000](#) [714-93-104-31-018000](#) [8059-4G1-LF](#) [807-22-001-10-001101](#) [807-22-001-10-006101](#) [807-22-001-30-011101](#) [807-22-001-30-012101](#) [807-22-001-30-013101](#) [807-22-001-30-014101](#) [8-1437531-4](#) [8150-6P10](#) [833-93-034-10-001000](#) [851-41-006-10-001000](#) [851-43-008-20-001000](#) [851-43-014-20-001000](#) [851-93-006-20-001000](#) [851-93-010-20-001000](#) [853-43-020-10-001000](#) [86.010.0053.0](#) [116-43-308-41-007000](#) [PX-68LCC](#) [121-13-318-41-001000](#) [121-13-320-41-001000](#) [121-13-308-41-001000](#) [123-43-314-41-801000](#) [123-43-420-41-001000](#) [122-13-316-41-001000](#) [123-13-624-41-001000](#) [123-43-306-41-001000](#) [12-3513-11](#) [123-91-320-41-001000](#) [126-43-310-41-002000](#) [AKSUN 37V-T](#) [1437503-9](#) [1437504-1](#) [146-44-308-41-013000](#) [146-43-308-41-012000](#) [160-10-308-00-001000](#) [160-40-320-00-001000](#) [214-99-306-01-670800](#) [232-1270-02-0602](#) [2-382761-4](#) [2-5331677-4](#) [2-640360-3](#) [2801-2-00-50-00-00-07-0](#)