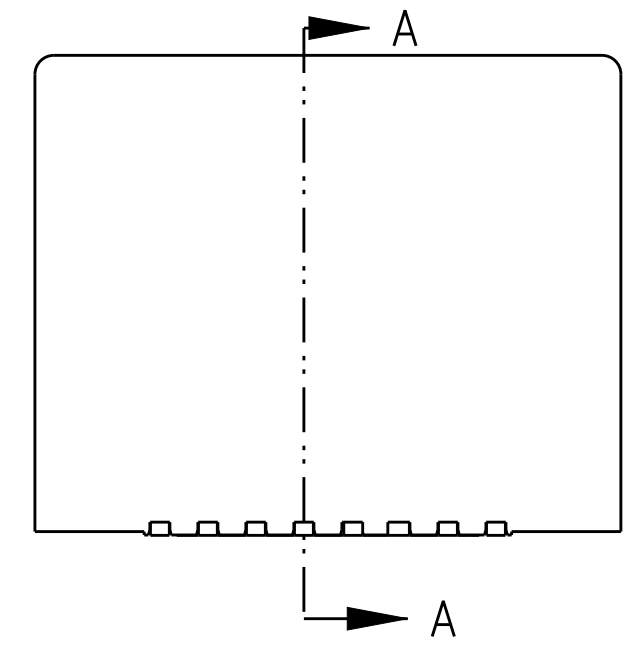
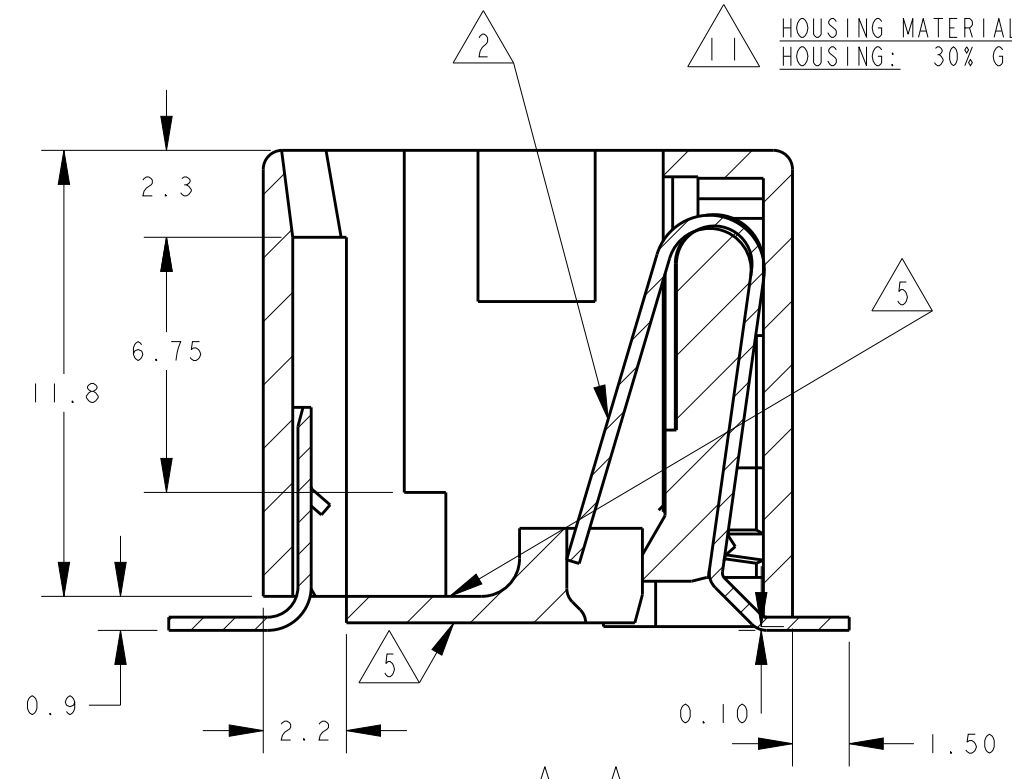
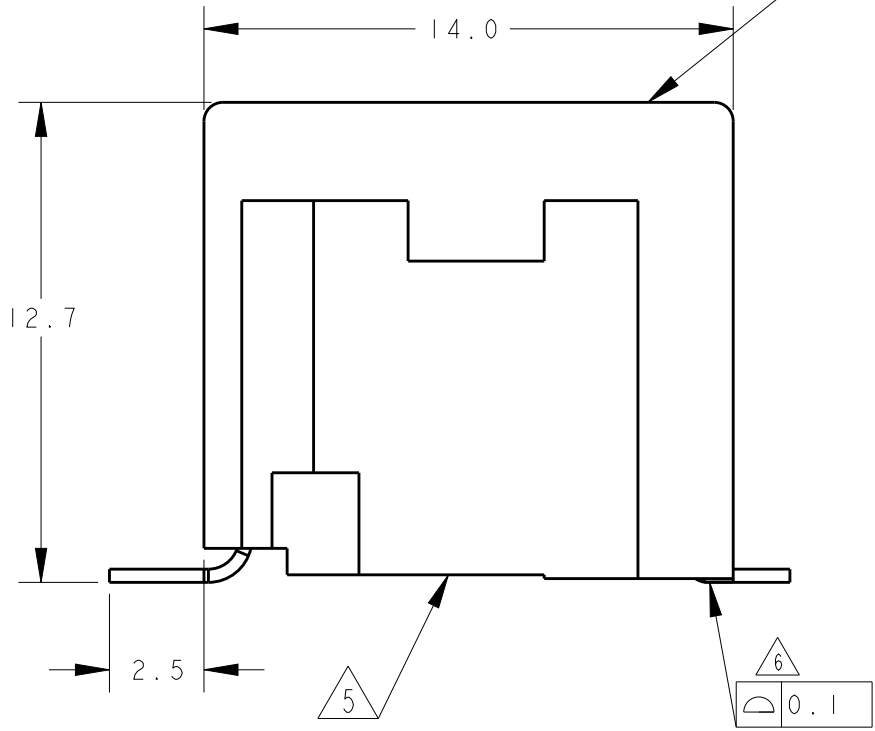
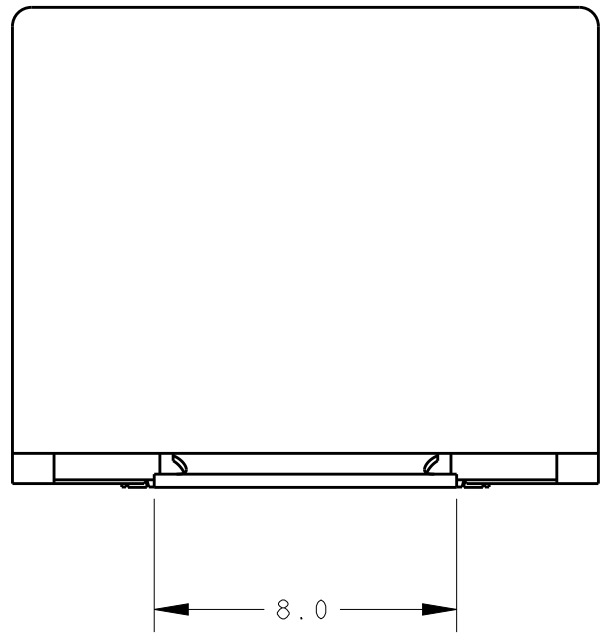
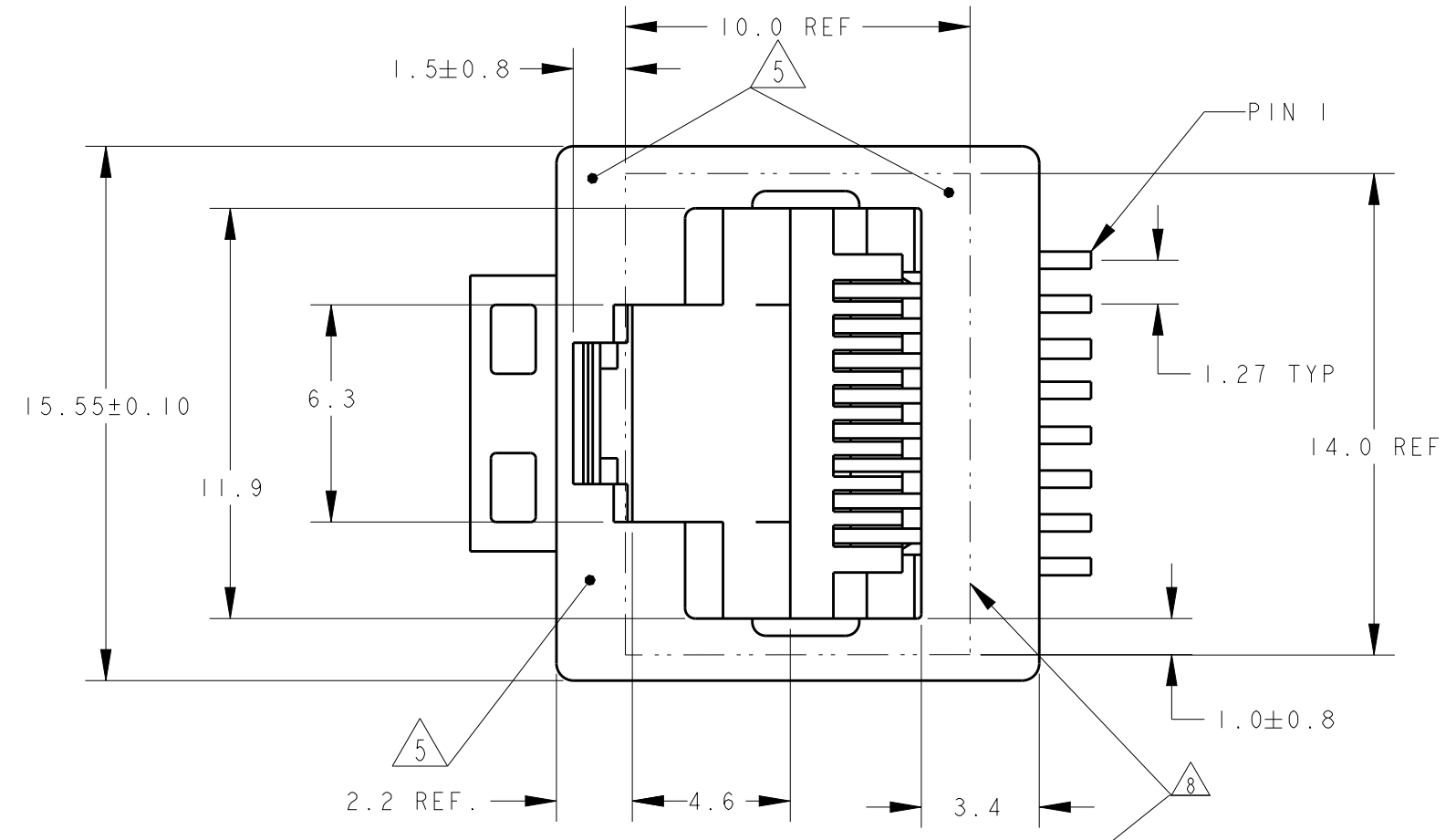
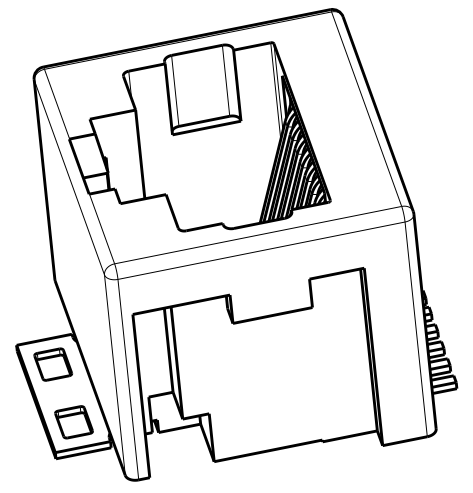


THIS DRAWING IS UNPUBLISHED. RELEASED FOR PUBLICATION
 © COPYRIGHT - TE CONNECTIVITY ALL RIGHTS RESERVED.

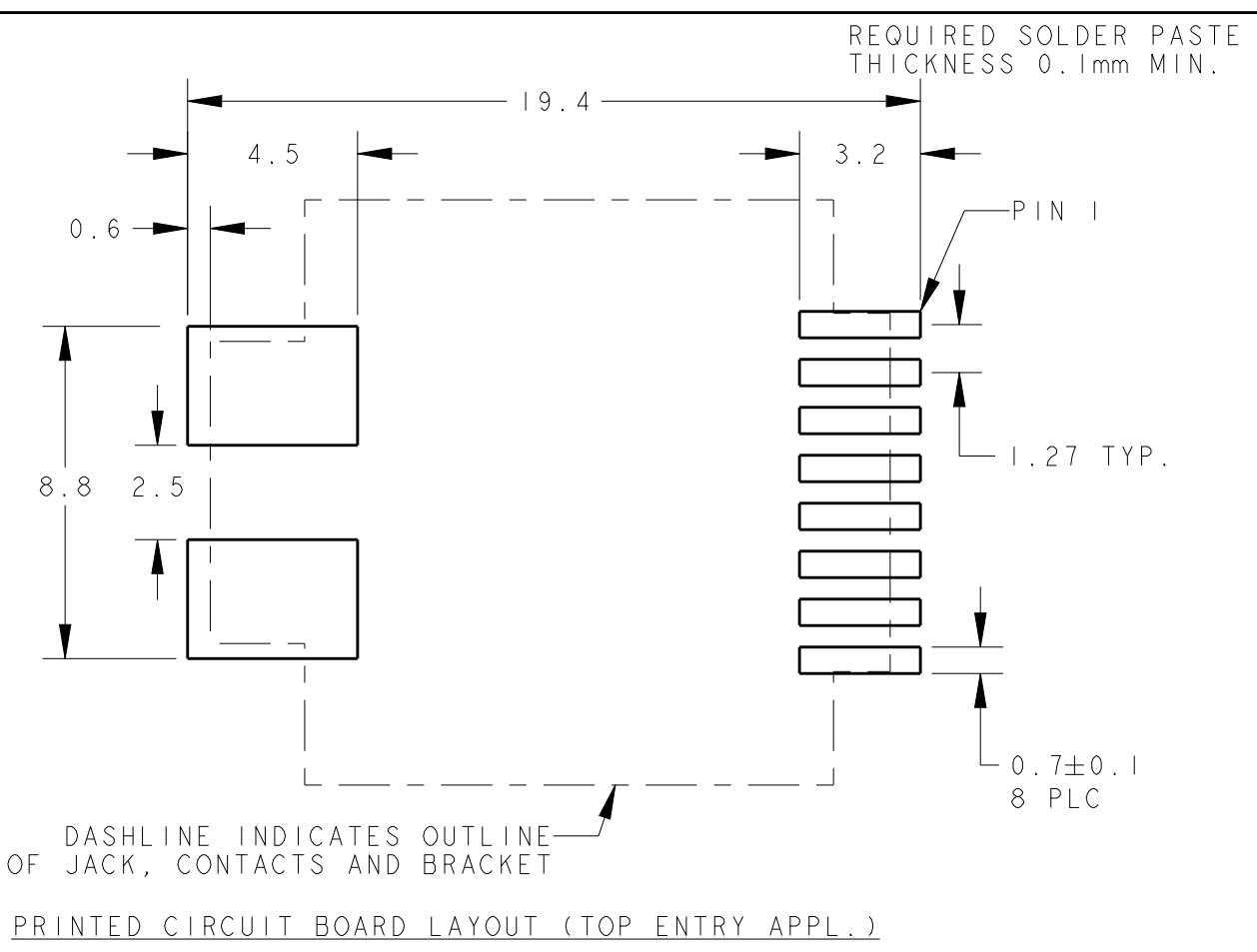
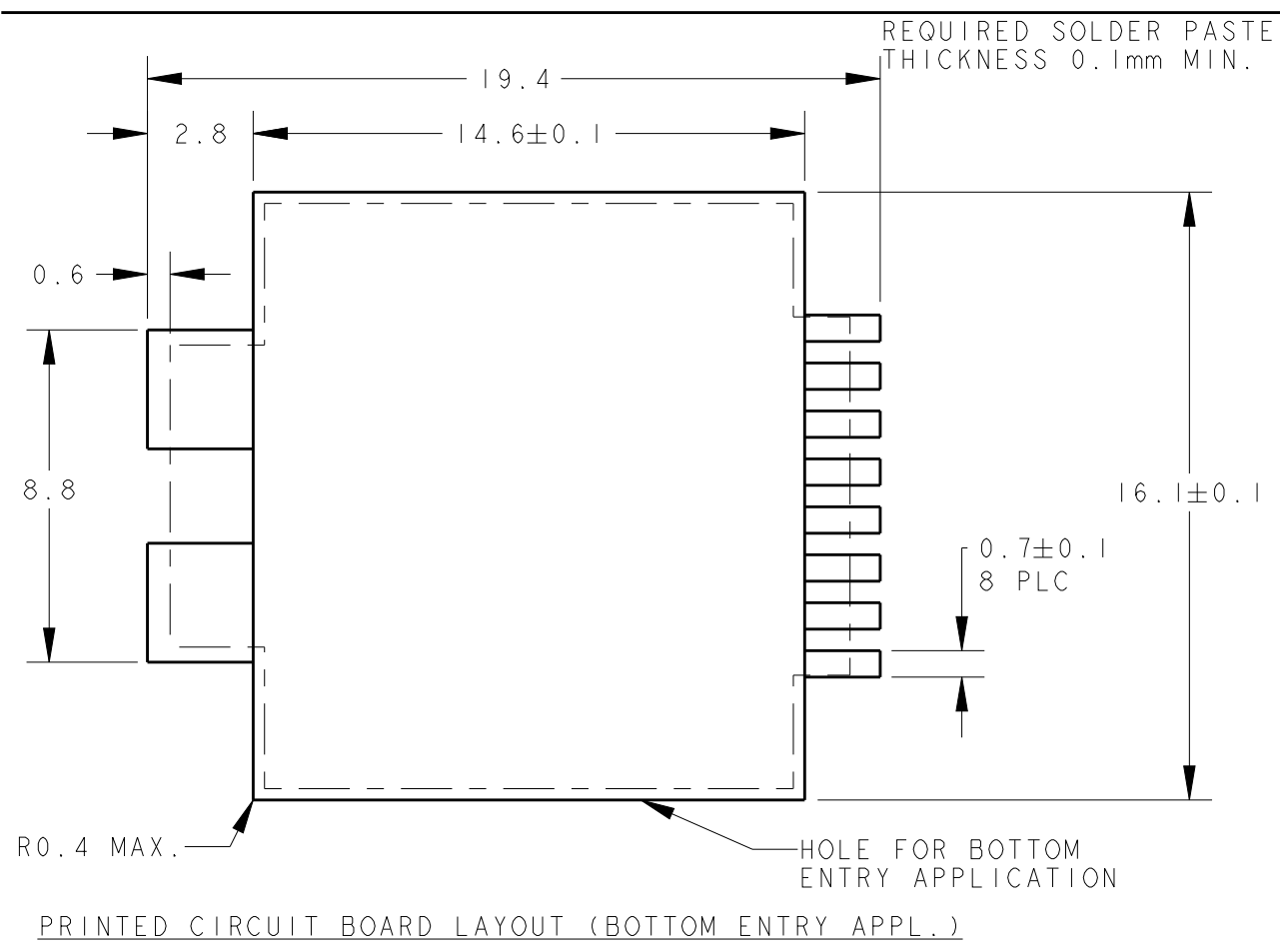
LOC		DIST		REVISIONS			
P	LTR	DESCRIPTION	DATE	DWN	APVD		
	Y	ECO-11-025237	06JAN2012	PS	RRP		
	Y1	E-14-013001	01SEP2014	CW	SH		
	Y2	ECO-16-001320	13JUN2016	AD	SH		



- NOTES:
- TOLERANCES UNLESS OTHERWISE SPECIFIED: ±0.15.
 - CONTACT PLATING:
OVERALL: Ni 1.27µm MIN. ALL OVER THE CONTACTS
SOLDER ZONE: Sn 3.5-5.0µm ON THE SOLDER ZONE OF THE CONTACT
MATING ZONE: PLATING CONFIRMS TO PRODUCT REQUIREMENTS AS PER SPECIFICATION 108-19117
 - CONTACT AND BRACKET MATERIAL:
CONTACTS: PHOSPHOR BRONZE
SOLDER BRACKET: TINPLATED BRASS WITH NICKEL UNDERLAYER.
 - THIS JACK CAN ALSO BE APPLIED HANGING THROUGH A HOLE, IN A PRINTED CIRCUIT BOARD. SEE LEFT PCB LAYOUT.
 - SURFACE CAN BE USED FOR PICKING THE MODULAR JACK WITH, TYPE 11 SMD MACHINE.
 - MEASURED AT HEEL OF CONTACTS, COPLANARITY AT TIPS MAX. 0.18mm.
 - TAPE AND REEL PACKAGING ACCORDING TO EIA 481-3 SPECIFICATIONS.
 - INCLUDES KAPTON TAPE (10mm x 14mm) ON TOP SURFACE FOR PICK AND PLACE UNIT
 - OBSOLETE
 - HOUSING MATERIAL:
HOUSING: 30% G.F. PA4T(HALOGEN FREE), COLOR BLACK, UL 94V-0.
 - HOUSING MATERIAL:
HOUSING: 30% G.F. LCP(HALOGEN FREE), COLOR BLACK, UL 94V-0.

SECTION A - A

8 POSN./8 CONTACT	250PCS ON Ø360mm OD REEL TOP ENTRY ORIENTATION PER DETAIL B1 WITH KAPTON TAPE FOR PICK AND PLACING	4-338088-3
8 POSN./8 CONTACT	250 PCS ON Ø360mm OD REEL TOP ENTRY ORIENTATION PER DETAIL B1	3-338088-3
8 POS./8 CONTACT	250PCS ON Ø360mm OD REEL TOP ENTRY ORIENTATION PER DETAIL B1 WITH KAPTON TAPE FOR PICK AND PLACING	1-338088-6
8 POSN./8 CONTACT	250 PCS ON Ø360mm OD REEL BOTTOM ENTRY ORIENTATION PER DETAIL B2	1-338088-5
8 POSN./8 CONTACT	500 PCS ON Ø560mm OD REEL TOP ENTRY ORIENTATION PER DETAIL B1	2-338088-3
8 POSN./8 CONTACT	250 PCS ON Ø360mm OD REEL TOP ENTRY ORIENTATION PER DETAIL B1	1-338088-3



THIS DRAWING IS A CONTROLLED DOCUMENT.

DWN: E.v.FLJK 30-Sep-96
 CHK: E. STELLINGA Dec-96
 APVD: R. SMEETS

TE Connectivity

STE INVERTIBLE MODULAR JACK, 8 POSITION SURFACE MOUNT APPLICATION

NAME: INVERTIBLE MODULAR JACK, 8 POSITION SURFACE MOUNT APPLICATION
 SIZE: A2 CAGE CODE: 0779 DRAWING NO: C-338088
 WEIGHT: 2.1 gr

SCALE: 5:1 SHEET 1 OF 2 REV Y2

REMARKS: REMARKS

PACKAGING: PACKAGING

PART NUMBER: PART NUMBER

DIMENSIONS: mm

TOLERANCES UNLESS OTHERWISE SPECIFIED:
 0 PLC ±
 1 PLC ±
 2 PLC ±
 3 PLC ±
 4 PLC ±
 ANGLES ±
 FINISH ±

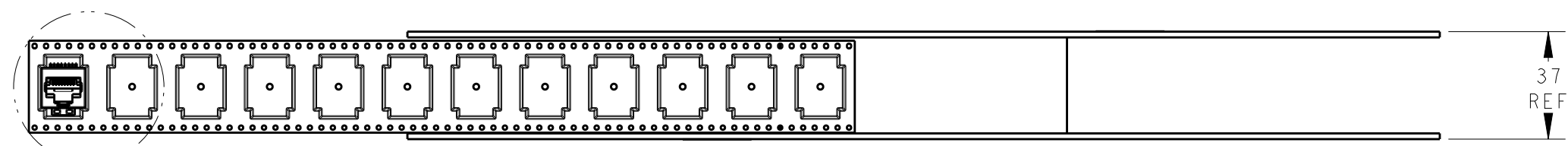
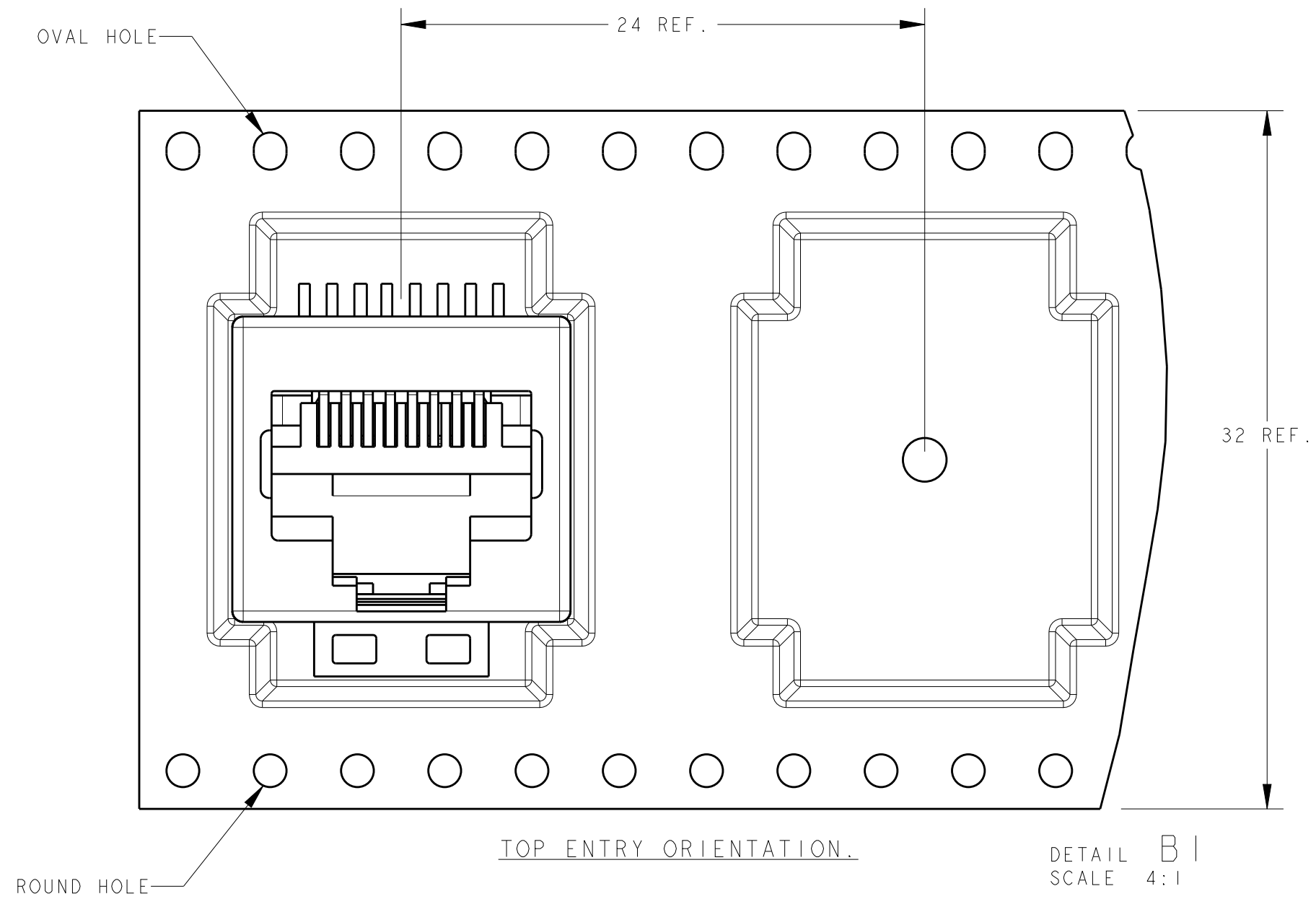
MATERIAL: SEE NOTE 3 -

SEE NOTE 2 -

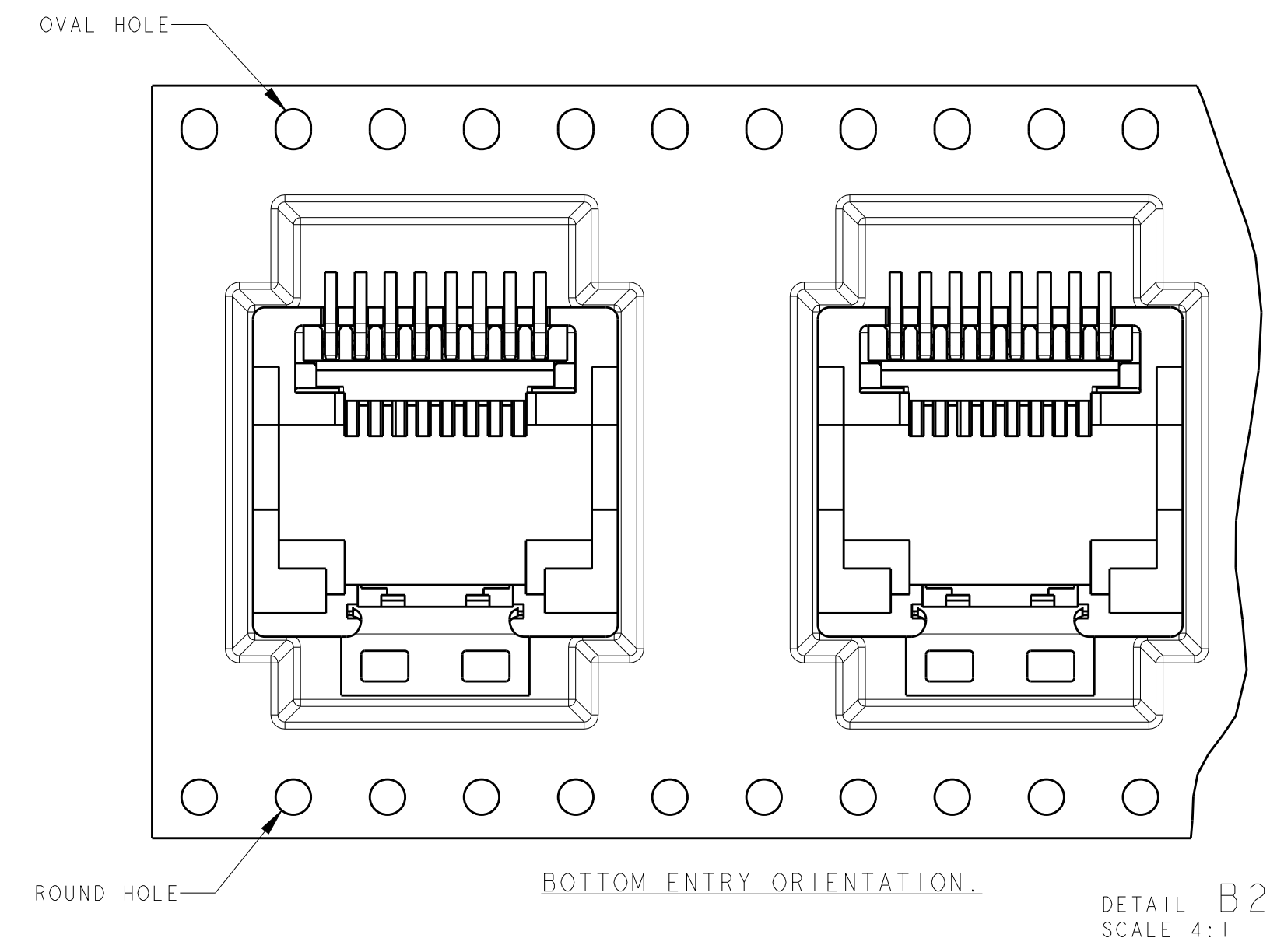
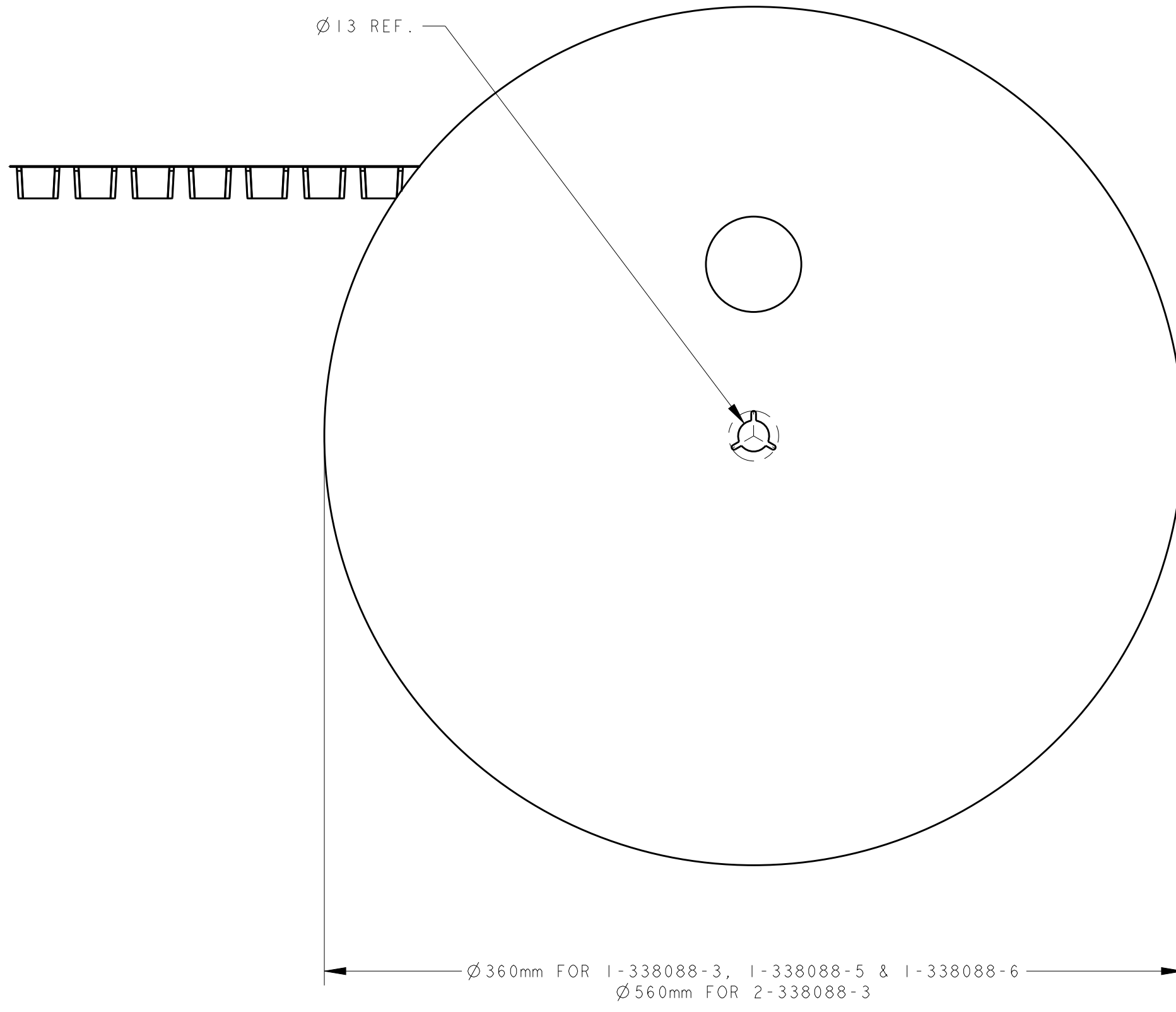
CUSTOMER DRAWING

THIS DRAWING IS UNPUBLISHED. RELEASED FOR PUBLICATION
 © COPYRIGHT - TE CONNECTIVITY ALL RIGHTS RESERVED.

LOC	DIST	REVISIONS					
IR	-	P	LTR	DESCRIPTION	DATE	DWN	APVD
		-		SEE SHEET 1			



SEE DETAIL B1 & B2



THIS DRAWING IS A CONTROLLED DOCUMENT.		DWN E.v.EJLK 30-Sep-96	TE Connectivity	
		CHK E. STELLINGA Dec-96		
DIMENSIONS: mm		APVD R. SMEETS	NAME INVERTIBLE MODULAR JACK, 8 POSITION SURFACE MOUNT APPLICATION	
TOLERANCES UNLESS OTHERWISE SPECIFIED: 0 PLC ± 1 PLC ± 2 PLC ± 3 PLC ± 4 PLC ± ANGLES ± FINISH		PRODUCT SPEC 108-19117	RESTRICTED TO	
MATERIAL		APPLICATION SPEC 114-19041	SIZE A20779	CAGE CODE C-338088
		WEIGHT 2.1 gr	DRAWING NO -	
		CUSTOMER DRAWING	SCALE 5:1	SHEET 2 OF 2 REV Y2

X-ON Electronics

Largest Supplier of Electrical and Electronic Components

Click to view similar products for [Memory Card Connectors](#) category:

Click to view products by [TE Connectivity](#) manufacturer:

Other Similar products are found below :

[M21-033321-005](#) [6426-201-21343](#) [69.920.0553.0](#) [MCR60A-98D-2.54DSA\(70\)](#) [FCN-568P068-G/07-4V](#) [809180410000000](#) [95622-003LF](#)
[DM3AT-SF-PEJM5\(41\)](#) [EN2997S72039F6](#) [N7E50-7516PG-20-WF](#) [IC11S-BUR-PNEJL\(71\)](#) [NX30TA-15PAA\(50\)](#) [NX60TA-25SAA9-](#)
[SP\(50\)](#) [21920-5](#) [2041353-2](#) [FUA006-3220-0](#) [33CFAE-DN](#) [MI21A-50PD-SF-EJR\(91\)](#) [502431-1011](#) [5175651-2](#) [10-247926-166](#)
[EN2997S02039B8](#) [EN2997S61212BN](#) [EN2997S72039B6](#) [EN2997SE02039B8](#) [EN2997SE61212BN](#) [EN2997SE72039B6](#) [NX1-32T-](#)
[KT3K\(05\)](#) [95622-003LF](#) [91-570124-15P](#) [192900-0488](#) [DM1AA-SF-PEJ](#) [95079-00CALF](#) [84648-056HLF](#) [68-580163-21S](#) [33DVIR-29S12R](#)
[SF58S006VBBR2000](#) [93-570123-08P](#) [GMC020080HR](#) [125A-78C00](#) [1010040575#](#) [MI20A-50PD-SF-EJL\(71\)](#) [KP10S-SF-PEJ\(812\)](#)
[DM1AA-SF-PEJ\(31\)](#) [FO-10GGBLCX20-002](#) [504536-0691](#) [115S-ACA2](#) [115S-ACA3](#) [115S-BS00](#) [115S-BT00](#)