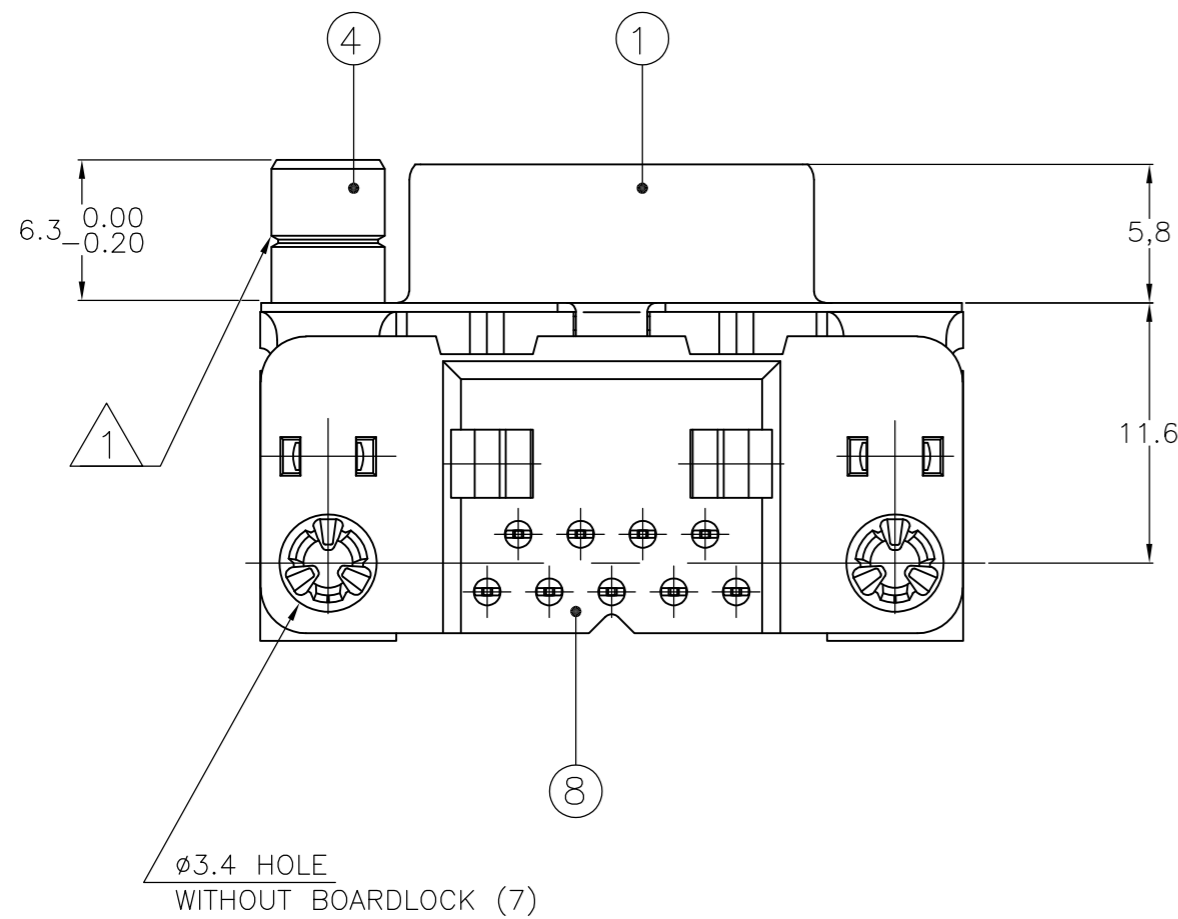
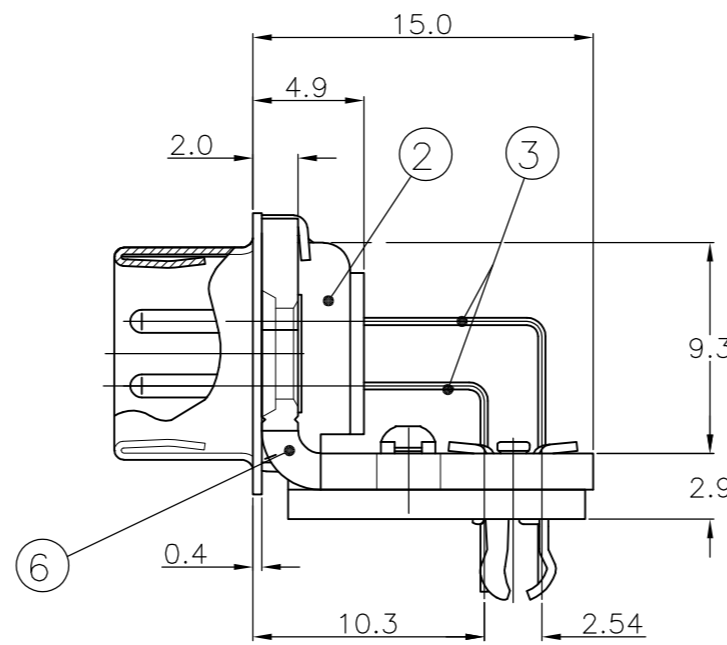
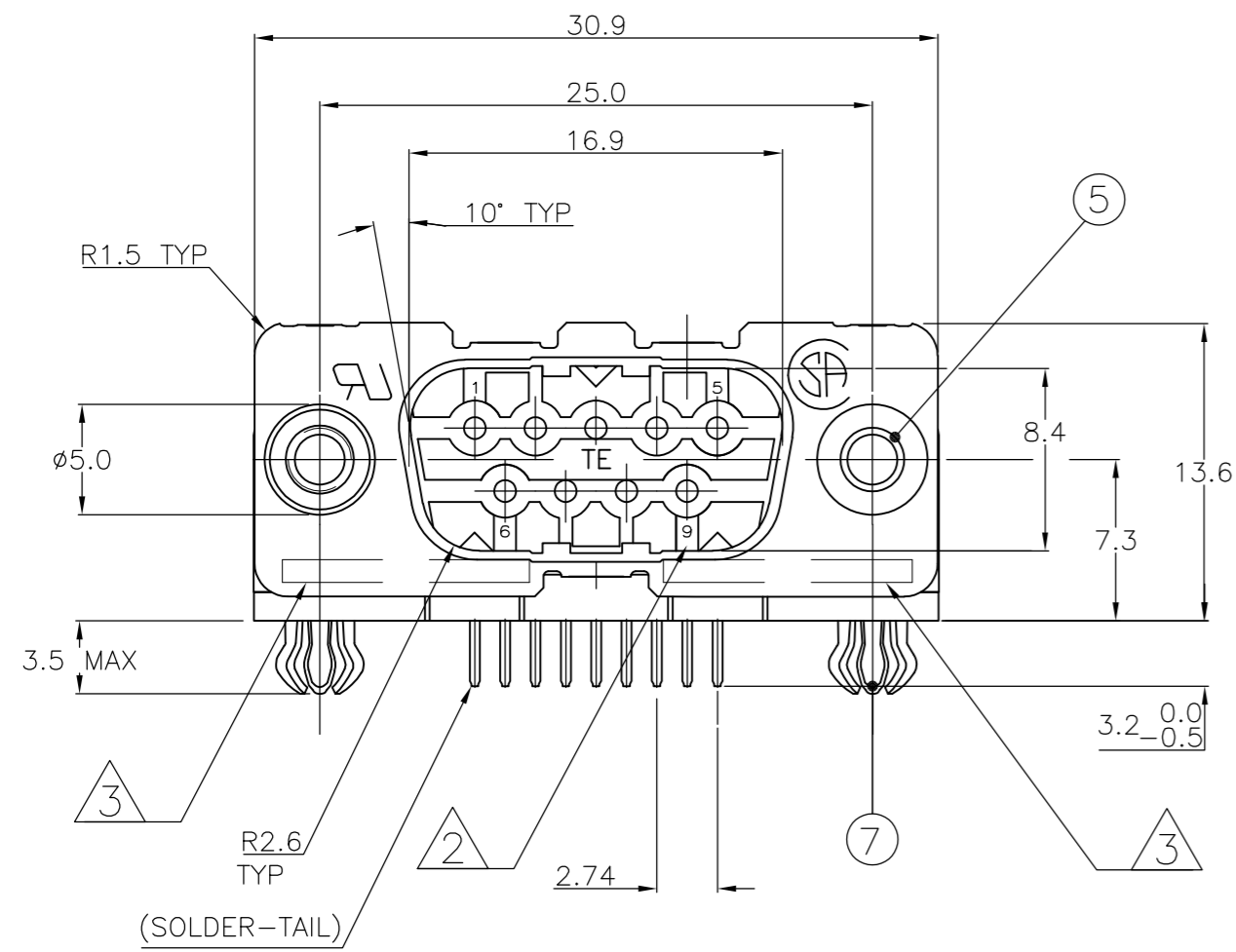


THIS DRAWING IS UNPUBLISHED. RELEASED FOR PUBLICATION
 © COPYRIGHT - By - ALL RIGHTS RESERVED.

LOC	DIST	REVISIONS			
P	LTR	DESCRIPTION	DATE	DWN	APVD
GP	00				
		K	REVISED PER ECO-15-004948	27APR2015	AP SB



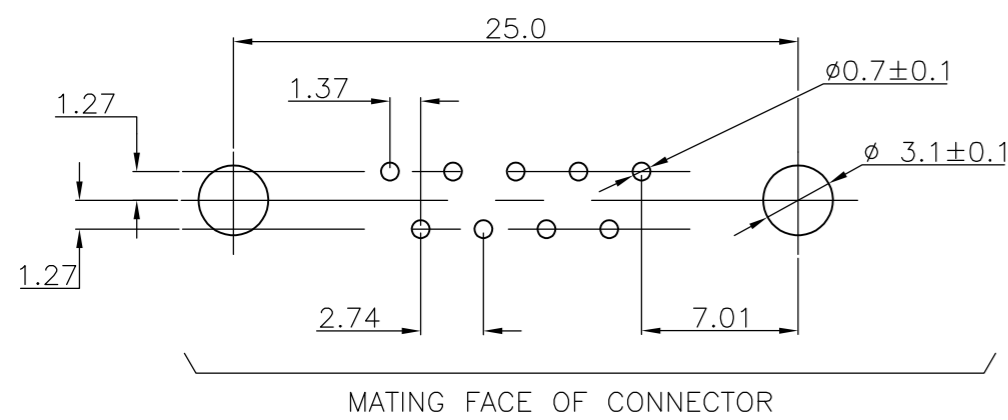
ACCESSORIES	ITEM NO	DESCRIPTION OF ACCESSORY	QUANTITIES												
			338168-2	1-338168-2	2-338168-2	3-338168-2	4-338168-2	5-338168-2	6-338168-2	7-338168-2	8-338168-2	9-338168-2			
5	Ø3.1 INSERT		2												
5	INSERT WITH INNER THREAD 4-40 UNC			2						2					
5	INSERT WITH INNER THREAD M3				2						2				
4	FEMALE SCREWLOCK WITH 4-40 UNC					2									2
4	FEMALE SCREWLOCK WITH M3						2								2
7	BOARDLOCK		2	2	2	2	2								

- 1 GROOVE INDICATES VERSION WITH 4-40 UNC INNER THREAD; WITHOUT GROOVE INDICATES VERSION WITH M3 INNER THREAD.
- 2 CAVITY IDENTIFICATION AT FRONT SIDE ONLY.
- 3 PART NUMBER AND DATE CODE.
- 4. SHELL HAS 2x2 GROUNDING SPRINGS; PITCH IS 3.6.
- 5. AIR AND CREEPAGE DISTANCES ACCORDING TO DIN 41652.
- 6. CONTACT FINISH: GOLD FLASH OVER PALLADIUM-NICKEL PLATE OR GOLD PLATE ON THE MATING SURFACES, TIN PLATE ON THE SOLDER-TAILS, NICKEL UNDERPLATE ON THE ENTIRE CONTACT. MATING SURFACE FINISH MEETS PERFORMANCE LEVEL 2 PER DIN 41652.

ITEM NO/MATERIAL :

1 SHELL	: BRIGHT TIN PLATED STEEL
2 HOUSING	: GLASS FILLED POLYESTER, COLOR : BLACK
3 CONTACTS	: PHOSPHOR BRONZE (PLATING : SEE NOTES)
4 FEMALE SCREWLOCK	: TIN PLATED STEEL (INNER THREAD 4-40 UNC OR M3)
5 INSERT	: TIN PLATED STEEL (INNER THREAD 4-40 UNC OR M3 OR Ø3.1 THRU-HOLE)
6 BRACKET	: TIN PLATED STEEL
7 BOARDLOCK	: TIN PLATED PHOSPHOR BRONZE
8 SOLDER TAIL ALIGNMENT PLATE	: GLASS FILLED NYLON. COLOR : BLACK

RECOMMENDED P.C. BOARD HOLE-LAYOUT



THIS DRAWING IS A CONTROLLED DOCUMENT. DIMENSIONING AND TOLERANCING PER ASME Y14.5M-2009		DWN D. KESSLER 18 JAN 99	TE Connectivity	
DIMENSIONS: mm		CHK W. SOOMERS		
TOLERANCES UNLESS OTHERWISE SPECIFIED:		APVD	PRODUCT SPEC	
0 PLC ± -		APPLICATION SPEC		SIZE
1 PLC ± 0.3		WEIGHT		CAGE CODE
2 PLC ± 0.15		CUSTOMER DRAWING		DRAWING NO
3 PLC ± -		SCALE NTS		RESTRICTED TO
4 PLC ± -		SHEET 1 OF 1		REV K
ANGLES ± -		REV		
FINISH		DRAWING NO		
MATERIAL		A2 00779 C=338168		

X-ON Electronics

Largest Supplier of Electrical and Electronic Components

Click to view similar products for [D-Sub Standard Connectors](#) category:

Click to view products by [TE Connectivity](#) manufacturer:

Other Similar products are found below :

[56F711-015](#) [012-9507-004](#) [LV242999-142T12](#) [015-0341-000](#) [015-0372-005](#) [015-0372-008](#) [015-8755-001](#) [020419-0104](#) [012-0467-000](#) [012-0515-000](#) [012-9507-034](#) [012-9507-114](#) [020745-0008](#) [609-25P](#) [M24308/2-23Z](#) [CT2-14S-2PCA34](#) [CT2-18-11PCAU](#) [CT6-10SL-3SC](#) [CT6-10SL-4SC](#) [CT6-14S-2SC](#) [CT6E14SA7SC](#) [M83513/01-FC](#) [M83723/76W24619 L/C](#) [M85049/48-3-2F](#) [6STD09PCM99B70X](#) [6STD09SCM99B30X](#) [6STD09SCT99S40X](#) [6STD15PCT99S40X](#) [6STD15SCM99B30X](#) [6STD15SCT99S40X](#) [6STF09PCM05B70X](#) [7-135760-9](#) [MC11E-10-6SN](#) [747552-3](#) [MD1-21PS](#) [MDM-15SCBRM7-F222](#) [MDM96517-699](#) [MDM96521-744](#) [MDVB1-21SL1](#) [MIK0-1-7SH003](#) [MIKQ6-7SH076](#) [MIKQ7-7PH077](#) [MIKQ7-7PH11](#) [MIKQ7-7PH32](#) [MJSV-28SL61](#) [MKJ4A1F14-55S](#) [8-135760-3](#) [8STD09PCM99B30X](#) [PG-KV/PV-16-GROM-SEALING](#) [GDA15P](#)