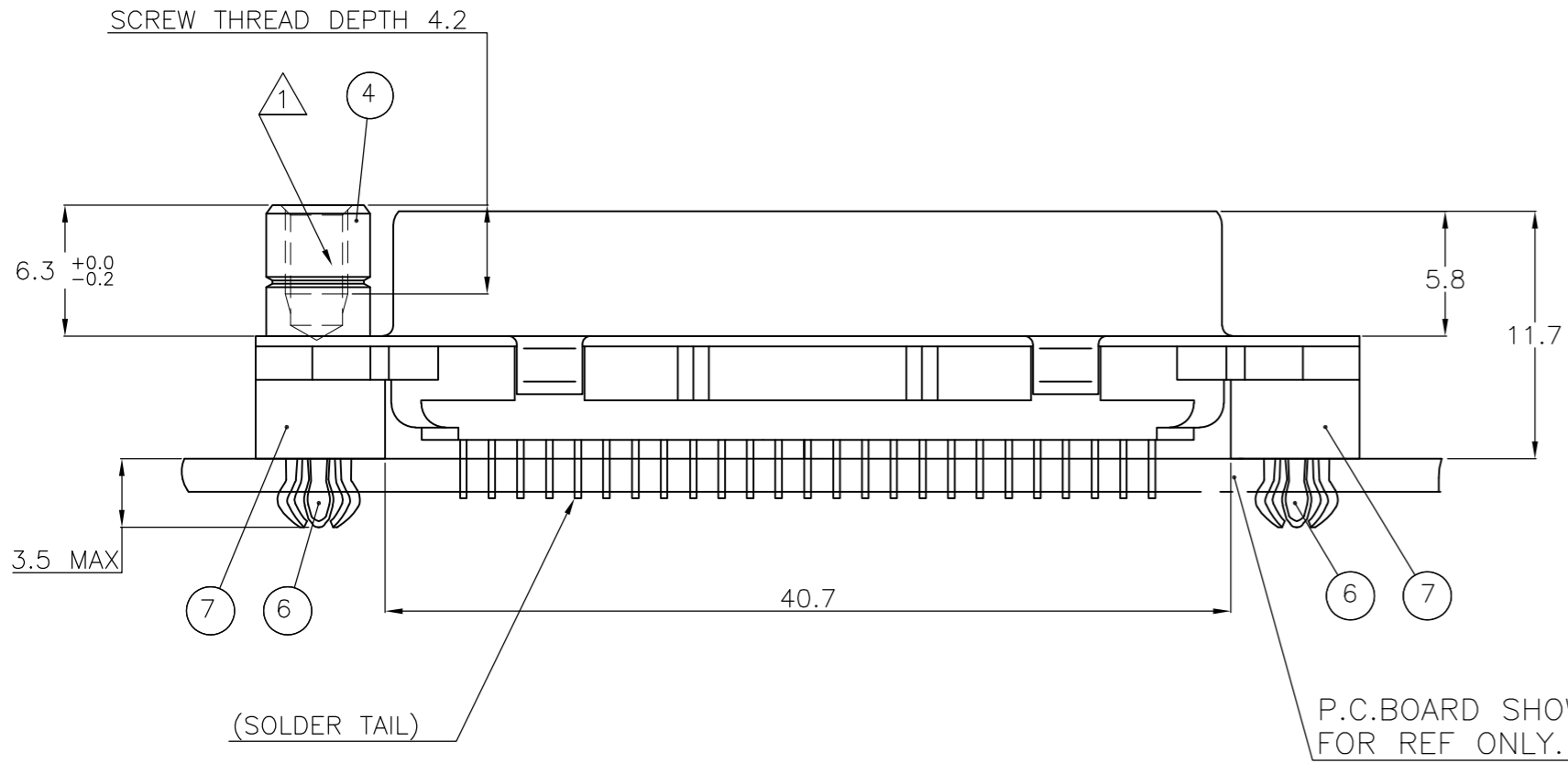
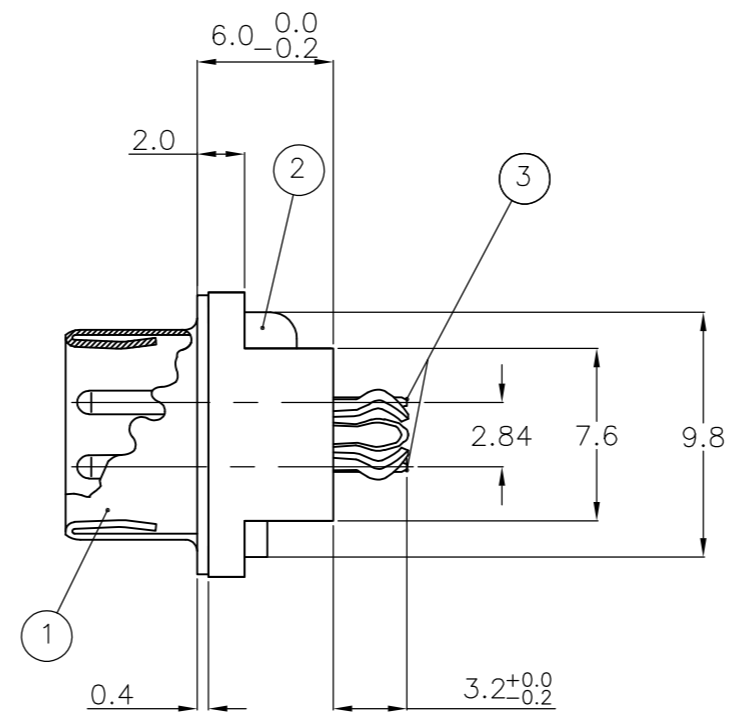
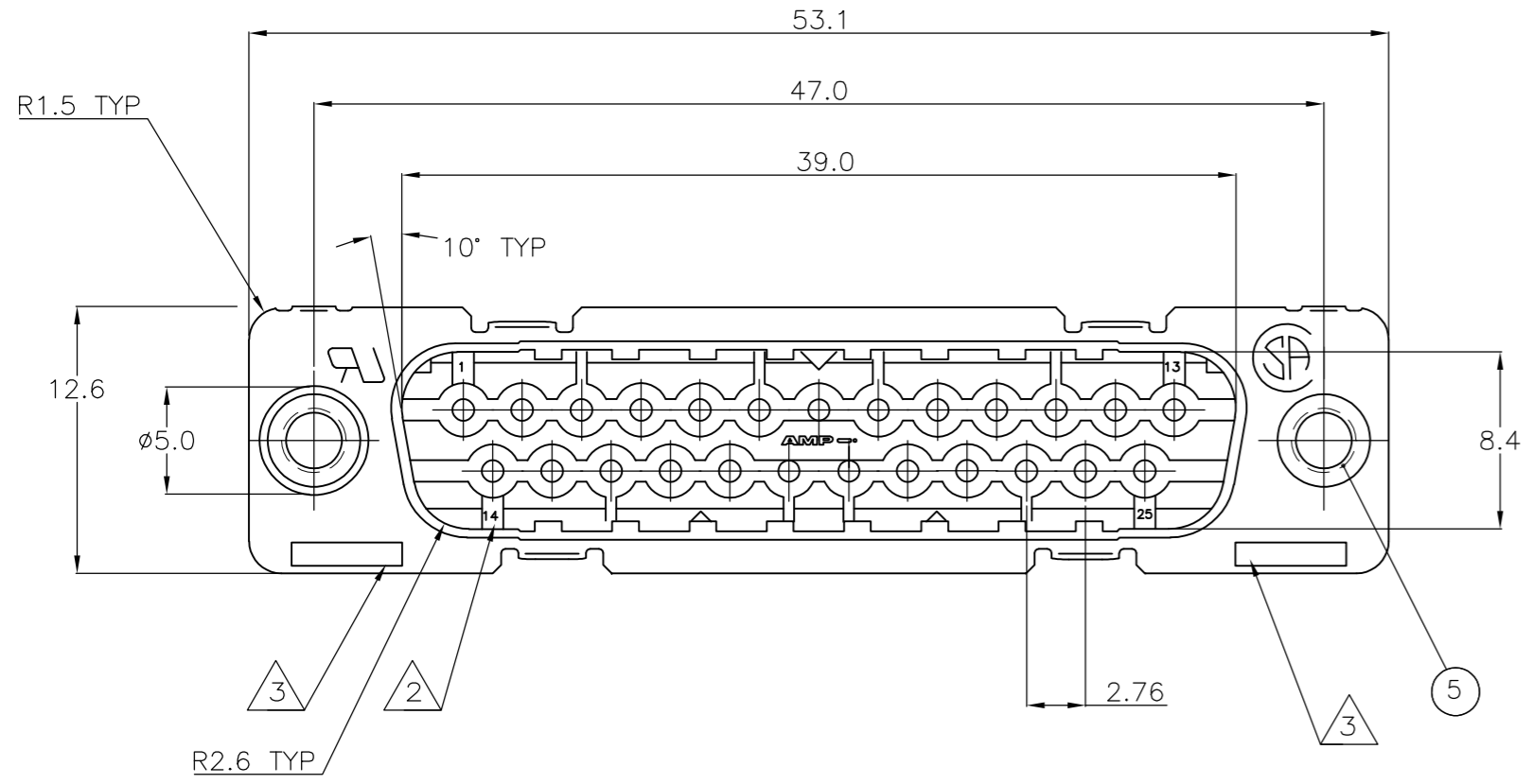


THIS DRAWING IS UNPUBLISHED.  
 RELEASED FOR PUBLICATION  
 ALL RIGHTS RESERVED.

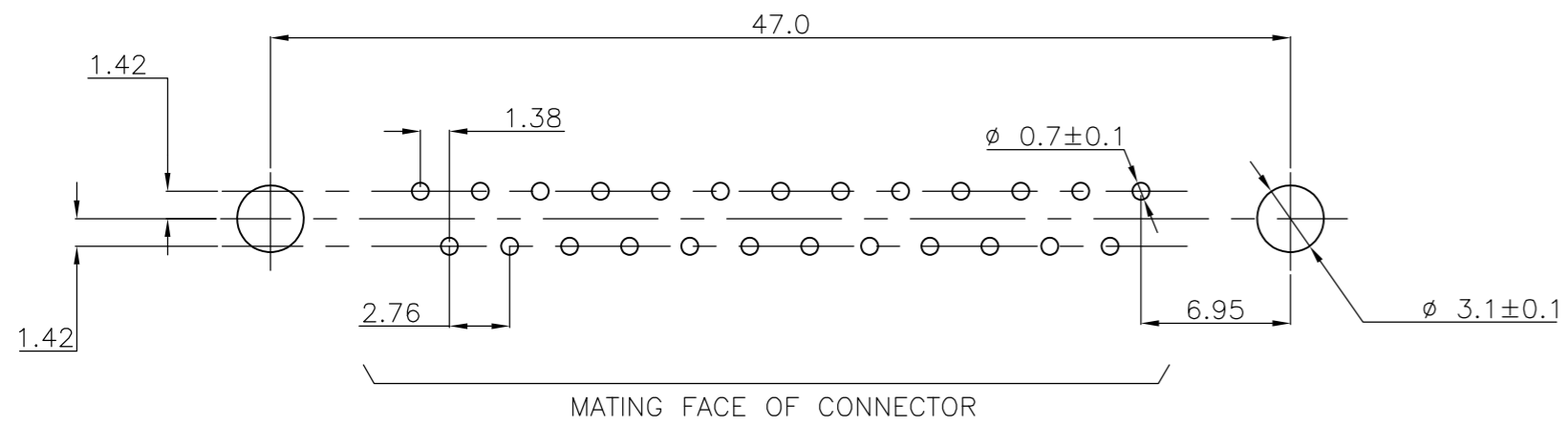
Loc	DIST	REVISIONS					
		P	LTR	DESCRIPTION	DATE	DWN	APVD
GP	00	G		REVISED PER ECO-12-009966	06JUN2012	CJV	SLB



ACCESSORIES	ITEM NO	DESCRIPTION OF ACCESSORY	REVISIONS								
	1	2	3	4	5	6	7	8	9	10	
5	5	BUSHING WITH THROUGH HOLE Ø3.1									
5	5	BUSHING WITH THREAD 4-40 UNC			2						
5	5	BUSHING WITH THREAD M3				2					
4	4	FEMALE SCREWLOCK WITH THREAD 4-40 UNC					2				
4	4	FEMALE SCREWLOCK WITH THREAD M3						2			
6	6	BOARDLOCK		2		2		2		2	

- △ 1 GROOVE INDICATES VERSION WITH 4-40 UNC INNER THREAD; WITHOUT GROOVE INDICATES VERSION WITH M3 INNER THREAD.
- △ 2 CAVITY IDENTIFICATION AT FRONT SIDE ONLY.
- △ 3 PART NUMBER AND DATE CODE.
- 4. WHEN BOARDLOCKS ARE USED, CONNECTOR CAN BE USED FOR PCB THICKNESS OF 1.6 ONLY.
- 5. SHELL HAS 2x8 GROUNDING SPRINGS; PITCH IS 3.6.
- 6. AIR AND CREEPAGE DISTANCES ACCORDING TO DIN 41652.
- 7. GOLD FLASH OVER PALLADIUM-NICKEL PLATE OR GOLD PLATE ON THE MATING SURFACES, TIN PLATE ON THE SOLDER-TAILS, NICKEL UNDERPLATE ON THE ENTIRE CONTACT. MATING SURFACE FINISH MEETS LEVEL 2 PERFORMANCE PER DIN 41652.

RECOMMENDED P.C. BOARD HOLE-LAYOUT



ITEM NO/MATERIAL :

① SHELL	: BRIGHT TIN PLATED STEEL
② HOUSING	: GLASS FILLED POLYESTER, COLOR : BLACK
③ CONTACTS	: PHOSPHOR BRONZE (PLATING : SEE NOTES ABOVE)
④ FEMALE SCREWLOCK	: TIN PLATED STEEL (INNER THREAD 4-40 UNC OR M3)
⑤ BUSHING	: TIN PLATED STEEL (INNER THREAD 4-40 UNC OR M3 OR 3,1 DIA. THROUGH HOLE)
⑥ BOARDLOCK	: TIN PLATED PHOSPHOR BRONZE
⑦ STAND-OFF	: GLASS FILLED NYLON COLOR : BLACK

THIS DRAWING IS A CONTROLLED DOCUMENT. DIMENSIONING AND TOLERANCING PER ASME Y14.5M-2009		DWN	J.V.LIEMPT	03JUL97	TE Connectivity	
DIMENSIONS: mm		CHK	C.SOUISA	NAME	HDP-20 SIZE 3 VERTICAL+ PLUG HEADER; WITH SOLDER CONTACTS	
TOLERANCES UNLESS OTHERWISE SPECIFIED:		APVD	E.LEIJTENS	PRODUCT SPEC	SIZE	A2
0 PLC	± -	APPLICATION SPEC		CAGE CODE	00779	00779
1 PLC	± 0.3			DRAWING NO	C=338311	
2 PLC	± 0.15	WEIGHT	-	RESTRICTED TO		
3 PLC	± -	CUSTOMER DRAWING	-	SCALE	NTS	
4 PLC	± -			SHEET	1 of 1	
ANGLES	± -			REV	G	
FINISH	-					

338311

A

## X-ON Electronics

Largest Supplier of Electrical and Electronic Components

*Click to view similar products for [D-Sub Standard Connectors](#) category:*

*Click to view products by [TE Connectivity](#) manufacturer:*

Other Similar products are found below :

[56F711-015](#) [012-9507-004](#) [LV242999-142T12](#) [015-0341-000](#) [015-0372-005](#) [015-0372-008](#) [015-8755-001](#) [020419-0104](#) [012-0467-000](#) [012-0515-000](#) [012-9507-034](#) [012-9507-114](#) [020745-0008](#) [609-25P](#) [M24308/2-23Z](#) [CT2-14S-2PCA34](#) [CT2-18-11PCAU](#) [CT2-36-15SC](#) [CT6-14S-2SC](#) [CT6E14SA7SC](#) [CT6E22-14PC](#) [CT6E22-14PS](#) [CT6E22-22PS](#) [M83513/01-FC](#) [M85049/48-3-2F](#) [6STD09PCM99B70X](#) [6STD09SCM99B30X](#) [6STD09SCT99S40X](#) [6STD15PCT99S40X](#) [6STD15SCM99B30X](#) [6STD15SCT99S40X](#) [6STF09PCM05B70X](#) [7-135760-9](#) [MC11E-10-6SN](#) [747552-3](#) [MD1-21PS](#) [MDM-15SCBRM7-F222](#) [MDM96517-699](#) [MDM96521-744](#) [MDVB1-21SL1](#) [MIK0-1-7SH003](#) [MIKQ6-7SH076](#) [MIKQ7-7PH077](#) [MIKQ7-7PH11](#) [MIKQ7-7PH32](#) [MJSV-28SL61](#) [MKJ4A1F14-55S](#) [8-135760-3](#) [8STD09PCM99B30X](#) [PG-KV/PV-16-GROM-SEALING](#)