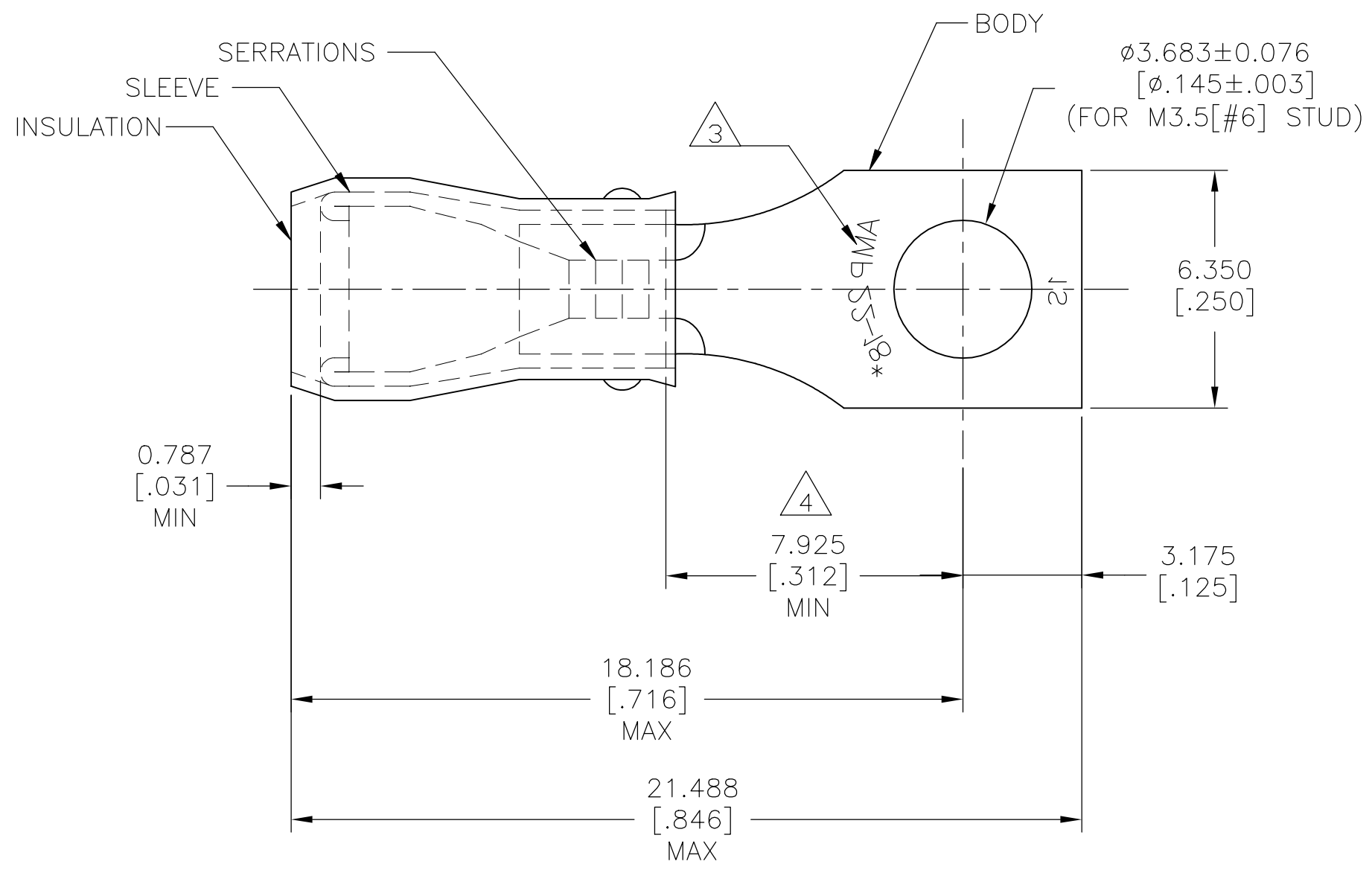


THIS DRAWING IS UNPUBLISHED. RELEASED FOR PUBLICATION  
 © COPYRIGHT - TE Connectivity Ltd. ALL RIGHTS RESERVED.

| REVISIONS |     |                           |           |       |
|-----------|-----|---------------------------|-----------|-------|
| P         | LTR | DESCRIPTION               | DATE      | APVD  |
| D1        |     | REVISED PER ECO-17-008114 | 05JUN2018 | RS DR |

|                                |                                |                                |
|--------------------------------|--------------------------------|--------------------------------|
| <b>AMP</b><br>WIRE RANGE       | E13288<br>Listed               | LR7189<br>Certified            |
| 22-16 AWG<br>SOLID OR STRANDED | 22-16 AWG<br>SOLID OR STRANDED | 22-16 AWG<br>SOLID OR STRANDED |



- 1 BODY MATERIAL THK: 0.787±0.051 [.031±.002]
- 2 FOR 2.667 TO 3.556 [.105 TO .140] WIRE INS. DIA
- 3 MARKING 22-18 FOR MILITARY COMMERCIAL RANGE 22-16
- 4 APPLIES FROM EDGE OF METAL WIRE BARREL TO CENTER OF STUD HOLE
- 5 MATERIAL:  
BODY & SLEEVE: COPPER PER ASTM B152  
INSULATION: NYLON
- 6 FINISH:  
BODY & SLEEVE: TIN PL PER ASTM B545  
INSULATION: COLOR - RED

|      |               |           |
|------|---------------|-----------|
| 100  | LOOSE PC, BOX | 8-33476-1 |
| 1000 | LOOSE PIECE   | 33476     |
| QTY  | PACKAGE TYPE  | PART NO   |

AMP INCORPORATED  
CUSTOMER SERVICE SYSTEMS

THIS DRAWING IS A CONTROLLED DOCUMENT.

|                  |                  |           |
|------------------|------------------|-----------|
| DWN              | RAVI S           | 04JUN2018 |
| CHK              | ROHDE DANIEL F   | 04JUN2018 |
| APVD             | ROHDE DANIEL F   | 04JUN2018 |
| PRODUCT SPEC     | UL 486 A-B       |           |
| APPLICATION SPEC | 114-2157         |           |
| WEIGHT           | CUSTOMER DRAWING |           |



NAME  
WIRE TERMINAL, P.I.D.G. - RECTANGULAR TONGUE,  
WIRE SIZE: 22-16 AWG

|  |  |
|--|--|
| FOR ADDITIONAL PRODUCT INFORMATION OR COPIES OF DRAWINGS AND TECHNICAL DOCUMENTS | PRODUCT INFORMATION CENTER<br>1-800-522-6752 |
| FOR APPLICATION TOOLING INFORMATION  | TOOLING ASSISTANCE CENTER<br>1-800-722-1111  |
| FOR ORDER ENTRY  | 1-800-526-5142                               |

|  |
|--|
| MAX RECOMMENDED OPERATING TEMPERATURE:<br>105°C [221°F]                                  |
| VOLTAGE RATING:<br>300 V MAX   |
| WIRE CROSS SECTIONAL AREA RANGE,<br>0.26-1.65mm²[509-3260] CIR MILS<br>SOLID OR STRANDED |

|                            |  |
|----------------------------|--|
| DIMENSIONS:<br>mm [INCHES] | TOLERANCES UNLESS OTHERWISE SPECIFIED: |
|                            | 0 PLC ± -                              |
|                            | 1 PLC ± -                              |
|                            | 2 PLC ± -                              |
|                            | 3 PLC ± 0.127[.005]                    |
|                            | 4 PLC ± -                              |
|                            | ANGLES ± 5°                            |
| MATERIAL                   | FINISH                                 |
| 5                          | 6                                      |

|       |           |            |               |
|-------|-----------|------------|---------------|
| SIZE  | CAGE CODE | DRAWING NO | RESTRICTED TO |
| A3    | 00779     | C-33476    | -             |
| SCALE |           | SHEET      | REV           |
| NTS   |           | 1 of 1     | D1            |

## X-ON Electronics

Largest Supplier of Electrical and Electronic Components

*Click to view similar products for [Terminals](#) category:*

*Click to view products by [TE Connectivity](#) manufacturer:*

Other Similar products are found below :

[00-054007-01074-6](#) [00-054007-70206-1](#) [00-054007-70210-8](#) [00-054007-70217-7](#) [00-054007-70226-9](#) [00-054007-70228-3](#) [00-054007-70248-1](#) [00-054007-70256-6](#) [00-054007-70301-3](#) [00-054007-70316-7](#) [0-0320562-0](#) [00-054007-49560-4](#) [00-054007-70209-2](#) [00-054007-70225-2](#) [00-054007-70227-6](#) [00-054007-70231-3](#) [00-054007-70241-2](#) [00-054007-70242-9](#) [00-054007-70244-3](#) [00-054007-70246-7](#) [00-054007-70263-4](#) [00-054007-70288-7](#) [00-054007-70290-0](#) [00-054007-70300-6](#) [00-054007-70304-4](#) [01-2065-1-0216](#) [01-2900-1-04412](#) [00581P0075](#) [600TS-10](#) [60205-1](#) [604200-1](#) [605601-1](#) [60598-1-CUT-TAPE](#) [61314-6-C](#) [61810-3](#) [61-S](#) [61-SN](#) [626-0194](#) [62-NBM-A](#) [62-SN](#) [62-SP](#) [63-S](#) [640179-1](#) [M55155/059I03](#) [M55155/079C01](#) [M55155/099H02](#) [M55155/109H01](#) [M55155/109H02](#) [M55155/12XH05](#) [M55155/16XH02](#)