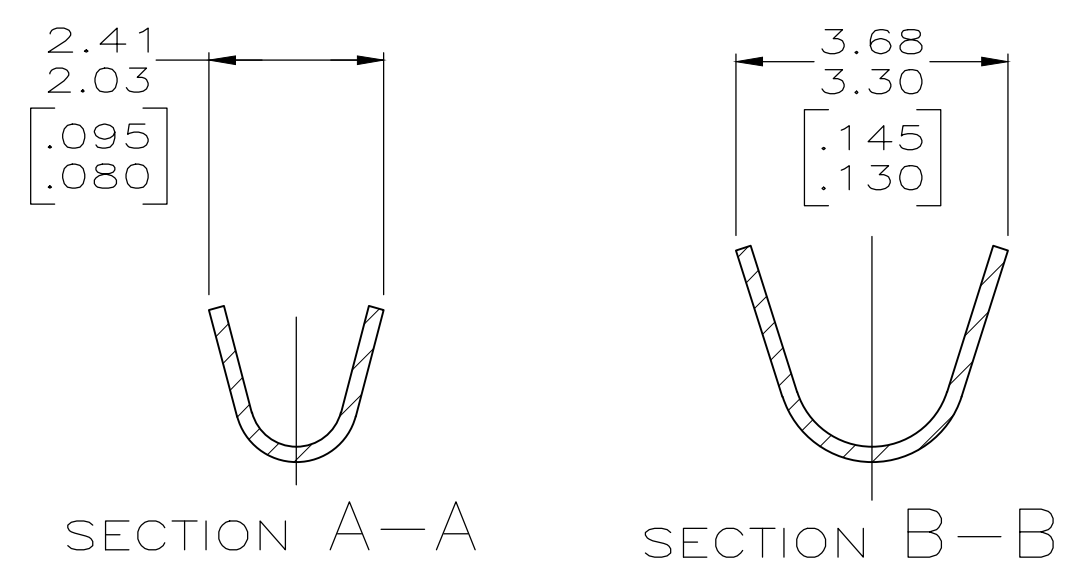
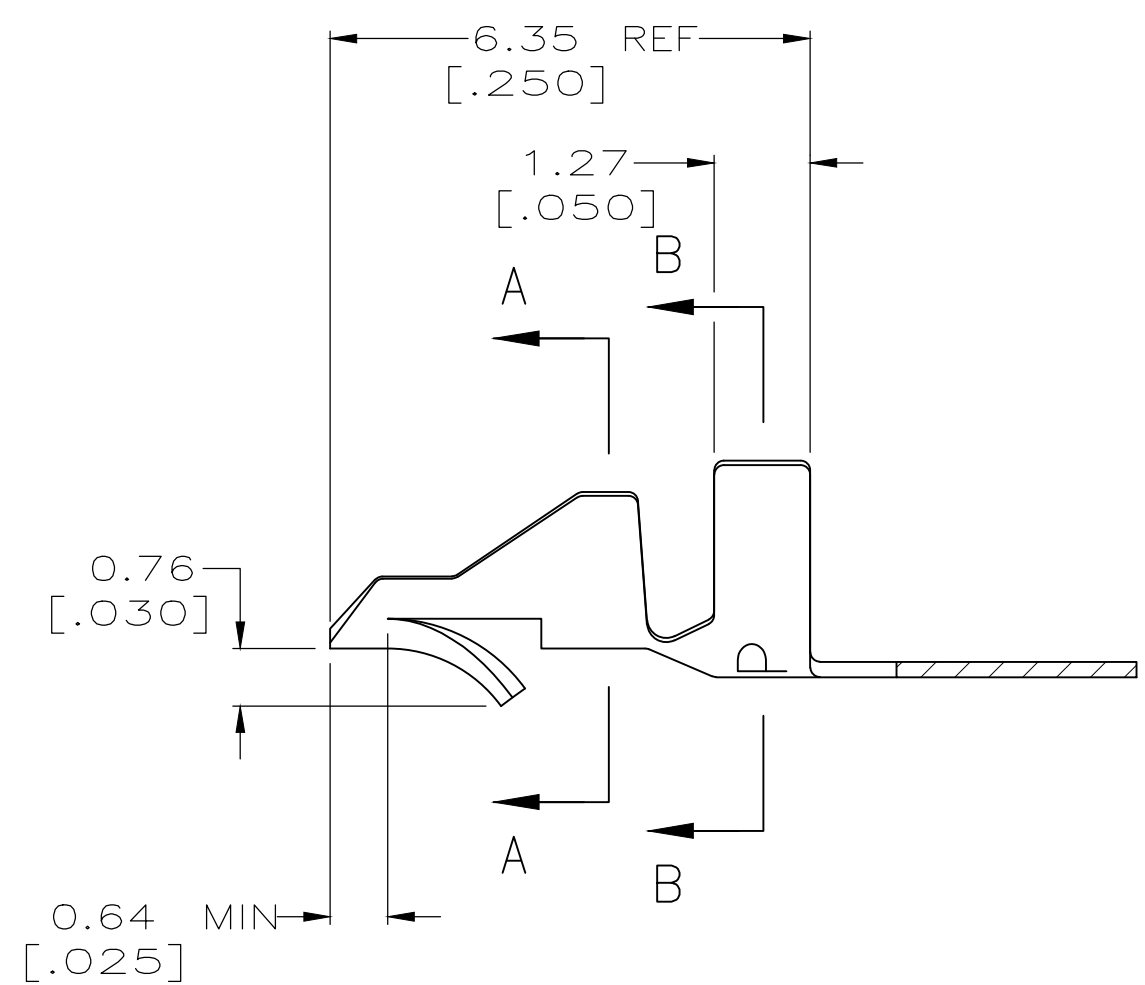
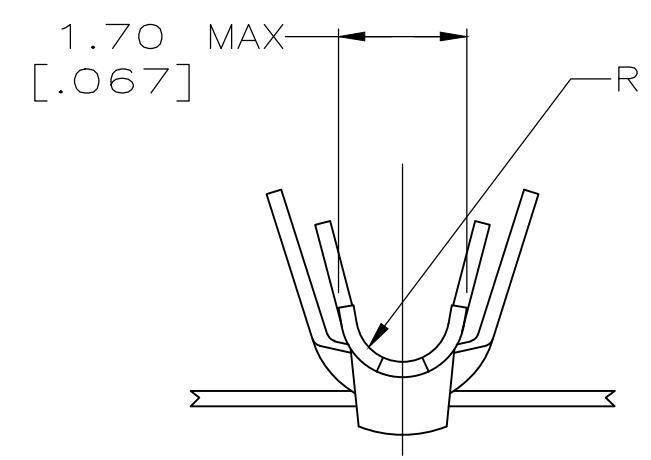
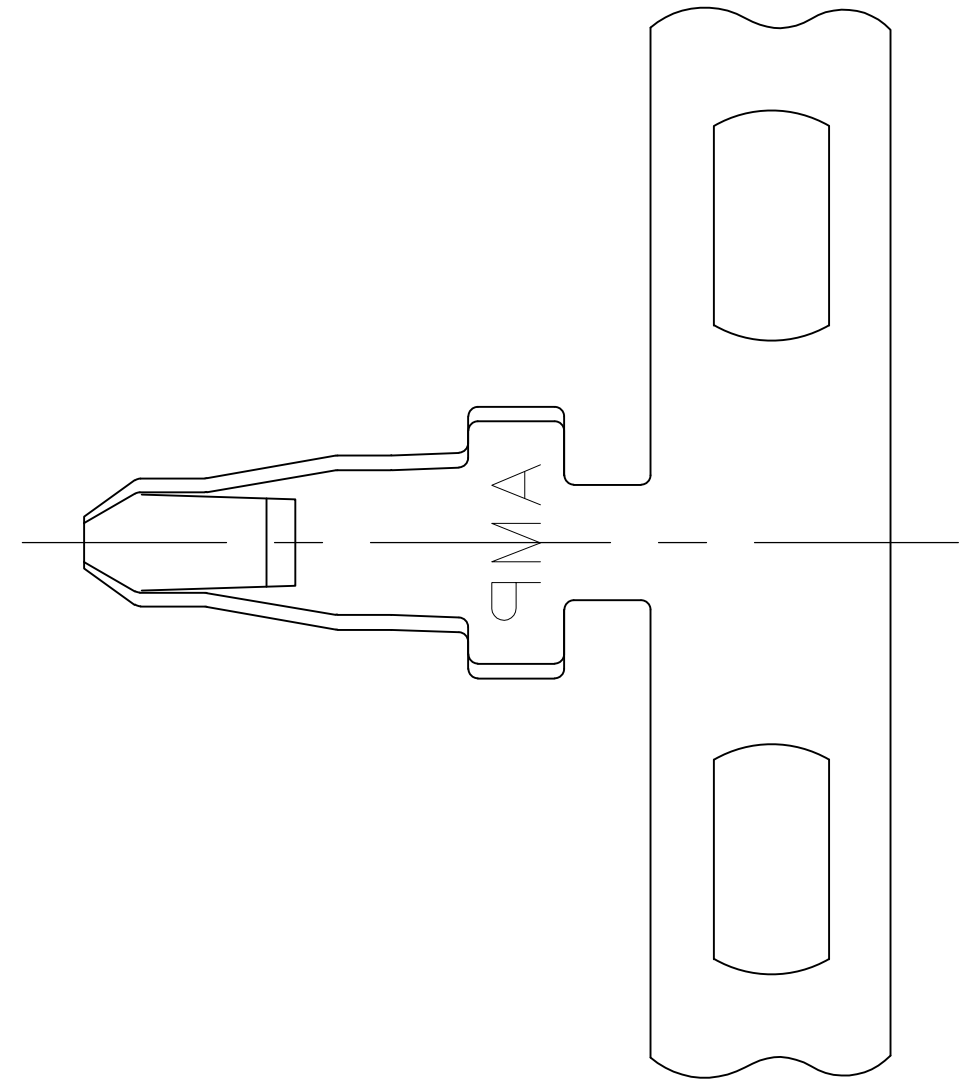
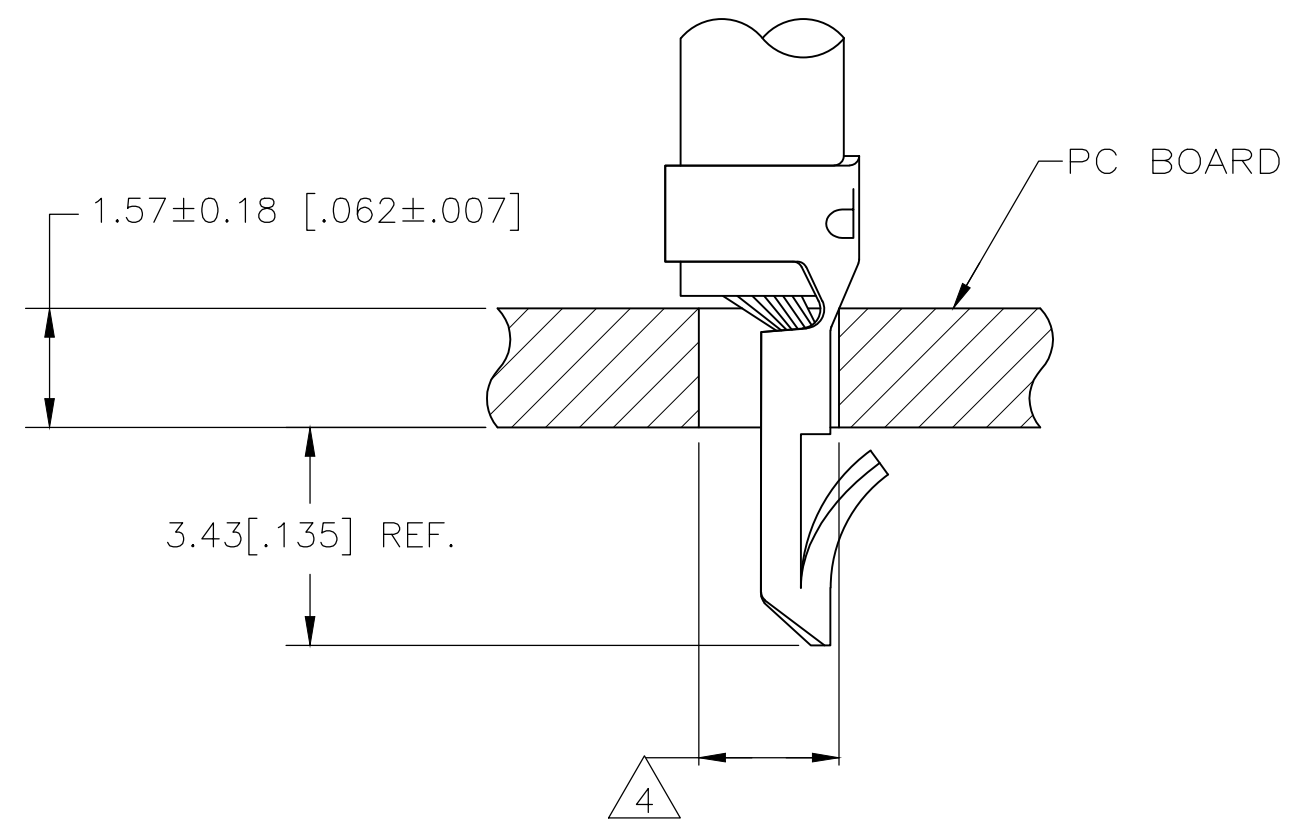


THIS DRAWING IS UNPUBLISHED. RELEASED FOR PUBLICATION
 © COPYRIGHT - By - ALL RIGHTS RESERVED.

REVISIONS				
P	LTR	DESCRIPTION	DATE	APVD
AB6		REVISED PER ECR-19-008948	11MAY20	J.P D.Z



- 1 PARTS COMPLY WITH AMP SOLDERABILITY SPEC 109-11-3.
- 2 PARTS COMPLY WITH AMP SOLDERABILITY SPEC 109-11-5.
- 3 PARTS COMPLY WITH AMP SOLDERABILITY SPEC 109-11-1.
- 4 HOLE DIAMETER TO BE 1.83±0.08 FOR WIRE 0.3-0.6mm² (20-22 AWG) OR 1.96±0.08 FOR WIRE 0.8-0.9mm² (18 AWG).
- 5 CARRIER STRIP TO HAVE 1.52 [.060] DIA PILOT HOLE.
- 6 0.00508 [.000200] MIN BRIGHT TIN-LEAD.
- 7 0.00318 [.000150] MIN MATTE TIN-LEAD OVER 0.00305 [.000120] MIN MATTE COPPER.
- 8 0.00305 [.000120] MIN TIN OVER 0.00102 [.000040] MIN NICKEL.
- 9 WIRE RANGE: 0.3 -0.9 mm² (22 - 18 AWG).
- 10 INSULATION RANGE: 1.52 - 2.79 [.060 - .110] DIA.
- 11 DIMENSIONS IN BRACKETS ARE IN INCHES.
- 12 0.00508 [.000200] MIN BRIGHT TIN.

SUPERSEDED BY 3-350566-1

1	12	0.20 [.008] PH BRZ	3-350566-1
3	5	0.20 [.008] BRASS	350566-7
3	8	0.20 [.008] BRASS	350566-5
2	8	0.20 [.008] BRASS	350566-3
1	12	0.20 [.008] PH BRZ	350566-1
NOTES	FINISH	MATERIAL	PART NO.

METRIC

THIS DRAWING IS A CONTROLLED DOCUMENT.		DWN S. CARPENTER 20AUG2003	TE TE Connectivity	
DIMENSIONS: INCHES		CHK J. ELLIS 20AUG2003		
TOLERANCES UNLESS OTHERWISE SPECIFIED:		APVD J. ELLIS 20AUG2003	NAME - MINI AMP-IN (TM)	
0 PLC ±		PRODUCT SPEC	SIZE A2	
1 PLC ±		APPLICATION SPEC	CAGE CODE 00779	
2 PLC ±		114-1016	DRAWING NO C-350566	
3 PLC ± 0.13 [.005]		WEIGHT 0.000000	RESTRICTED TO -	
4 PLC ±		CUSTOMER DRAWING	SCALE 10:1	
ANGLES ±			SHEET 1 of 1	
FINISH SEE TABLE			REV AB6	

X-ON Electronics

Largest Supplier of Electrical and Electronic Components

Click to view similar products for [Terminals](#) category:

Click to view products by [TE Connectivity](#) manufacturer:

Other Similar products are found below :

[00-054007-01074-6](#) [00-054007-70206-1](#) [00-054007-70210-8](#) [00-054007-70217-7](#) [00-054007-70226-9](#) [00-054007-70228-3](#) [00-054007-70248-1](#) [00-054007-70256-6](#) [00-054007-70301-3](#) [00-054007-70316-7](#) [00-054007-49560-4](#) [00-054007-70209-2](#) [00-054007-70225-2](#) [00-054007-70227-6](#) [00-054007-70231-3](#) [00-054007-70241-2](#) [00-054007-70242-9](#) [00-054007-70244-3](#) [00-054007-70246-7](#) [00-054007-70263-4](#) [00-054007-70288-7](#) [00-054007-70290-0](#) [00-054007-70300-6](#) [00-054007-70304-4](#) [01-2065-1-0216](#) [01-2900-1-04412](#) [00581P0075](#) [600TS-10](#) [60205-1](#) [604200-1](#) [605601-1](#) [60598-1-CUT-TAPE](#) [61314-6-C](#) [61810-3](#) [61-S](#) [61-SN](#) [626-0194](#) [62-NBM-A](#) [62-SN](#) [62-SP](#) [63-S](#) [640179-1](#) [M55155/059I03](#) [M55155/079C01](#) [M55155/099H02](#) [M55155/109H01](#) [M55155/109H02](#) [M55155/12XH05](#) [M55155/16XH02](#) [M55155/29-5S](#)