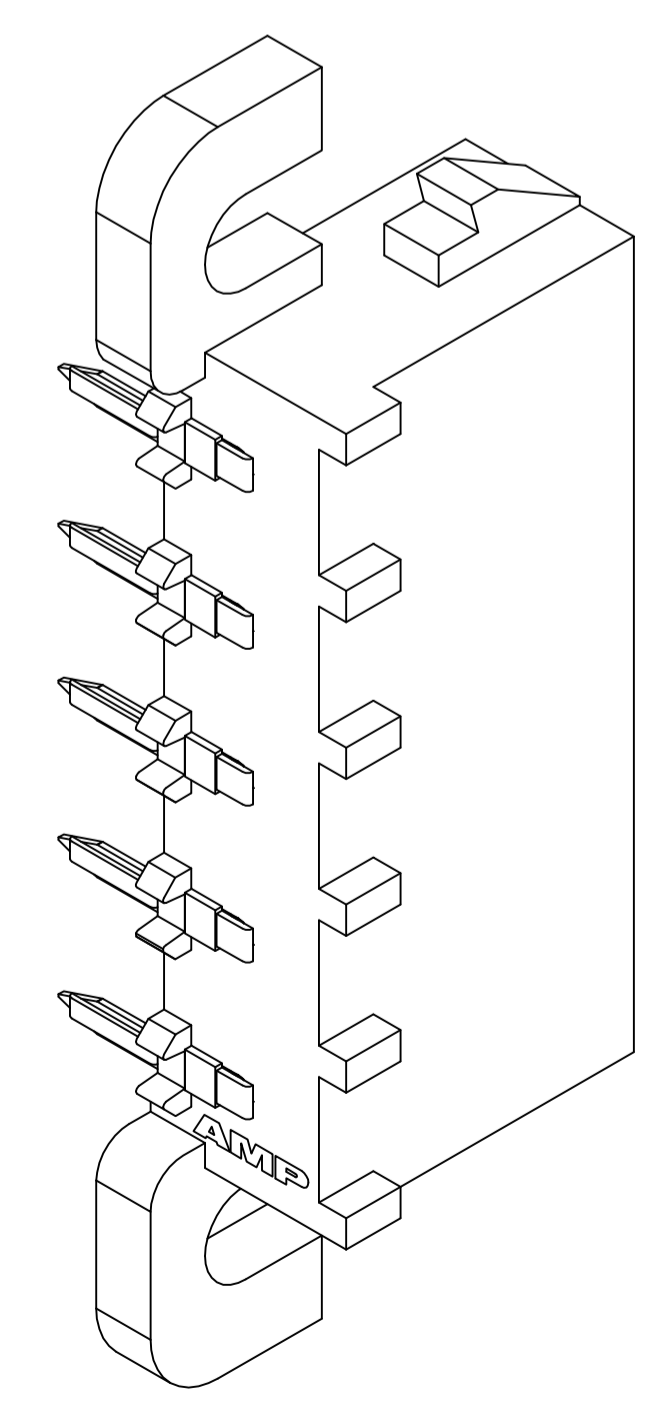
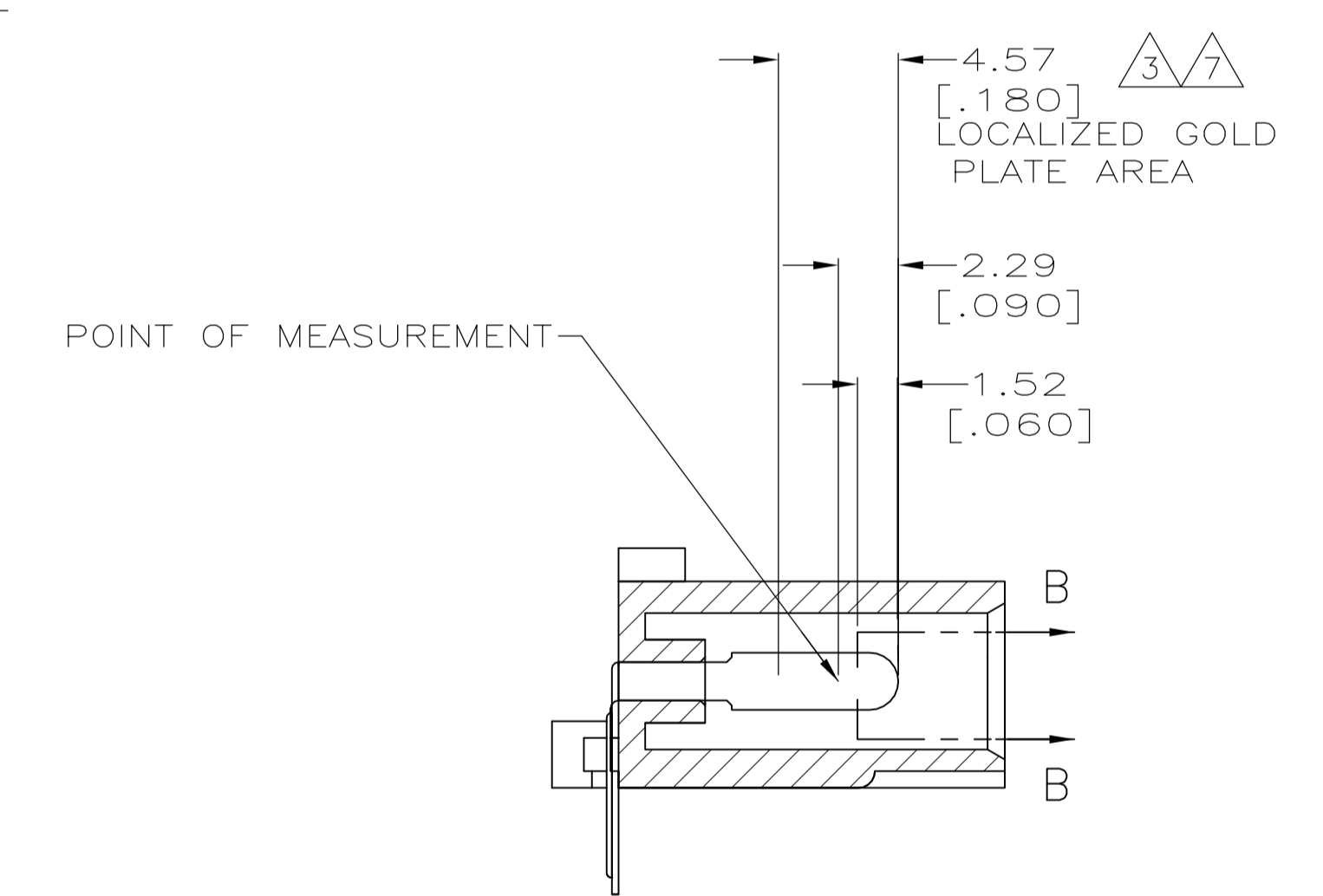
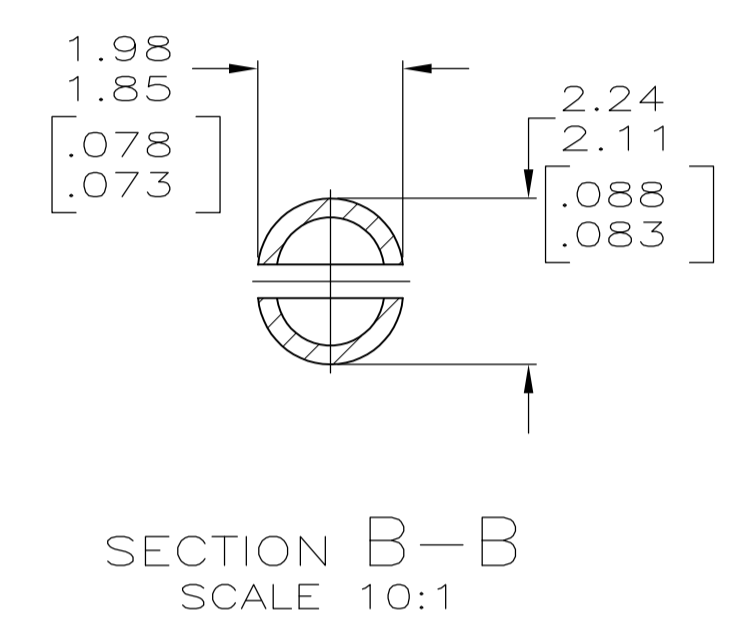
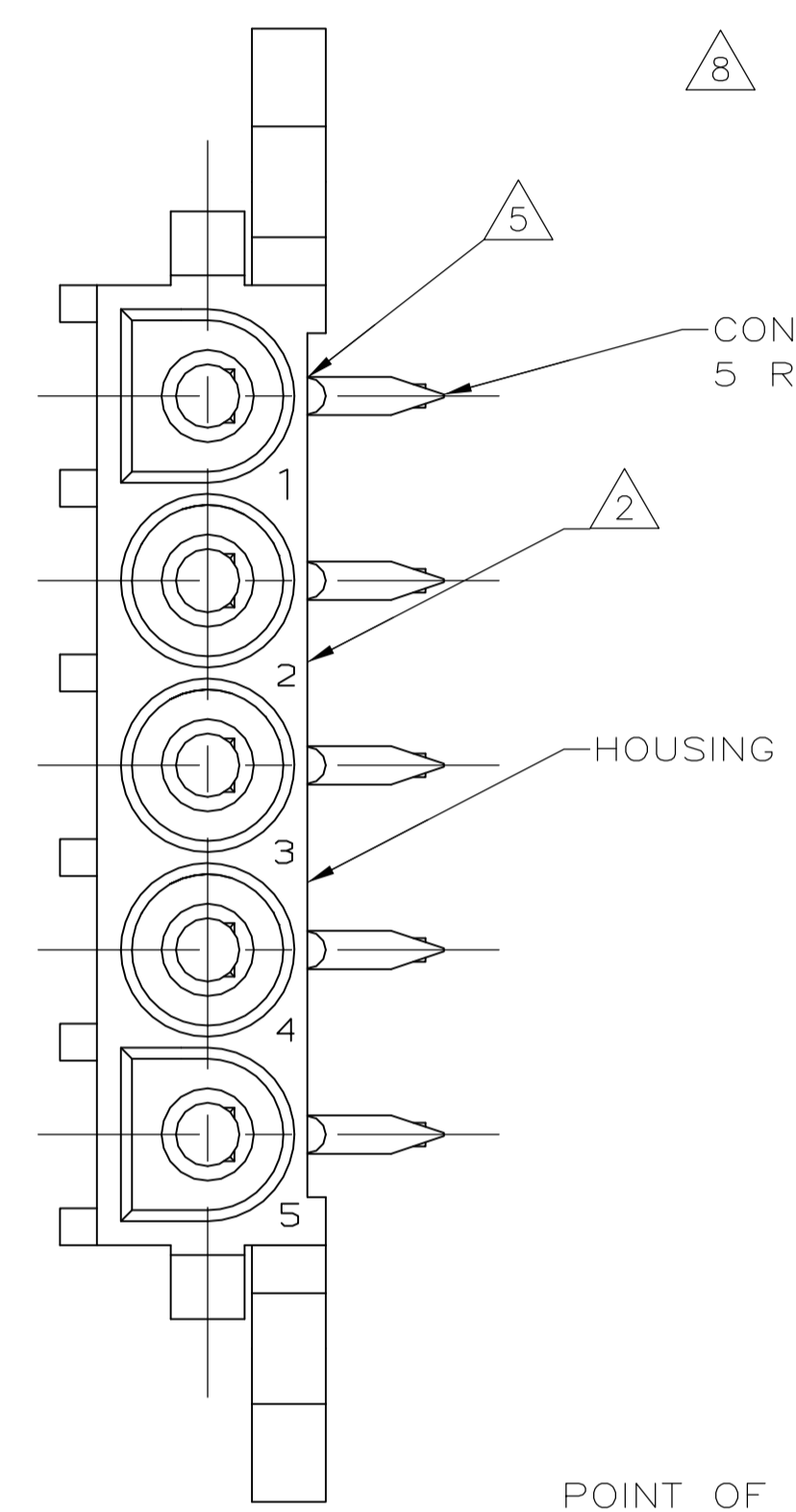
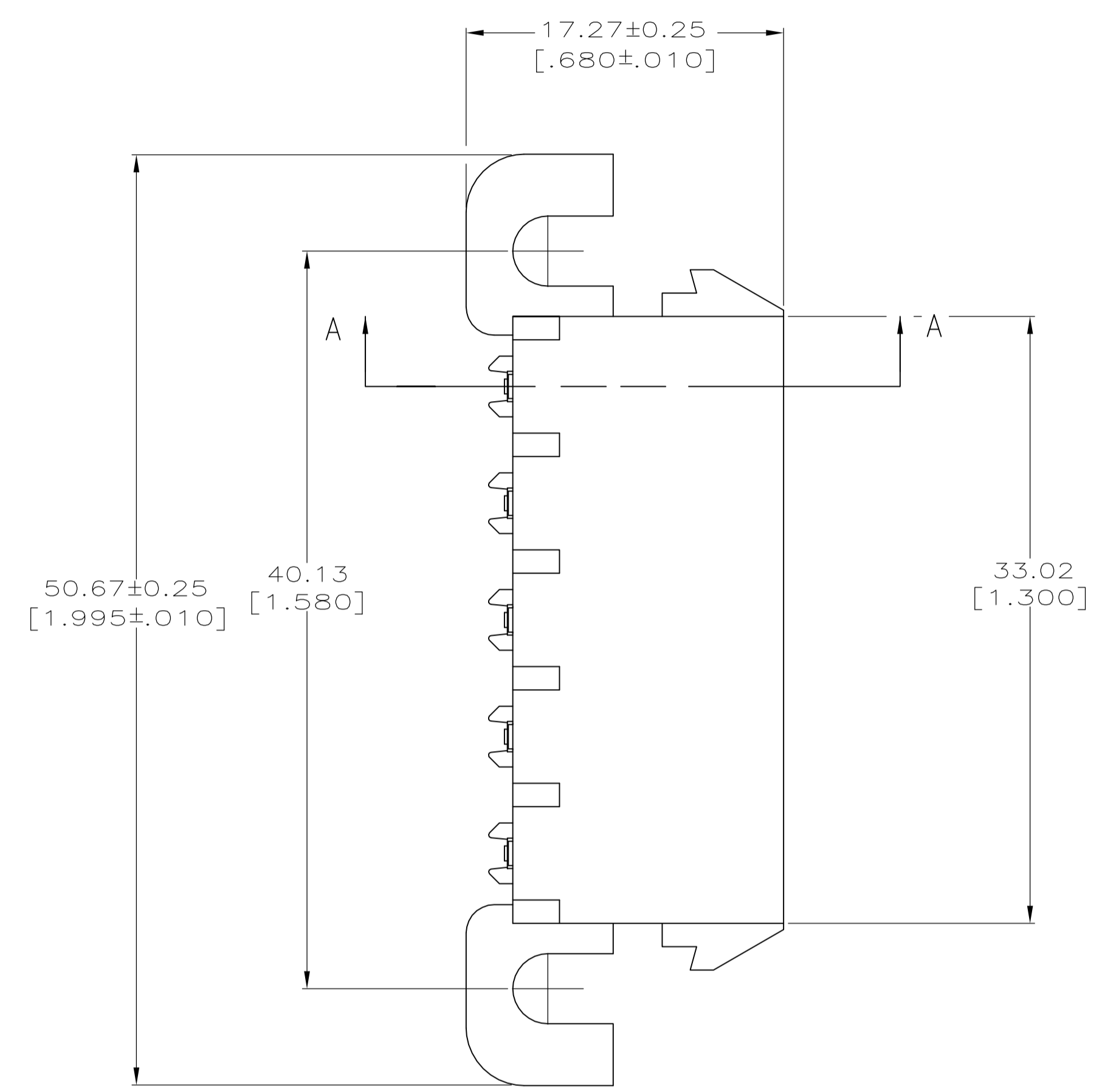
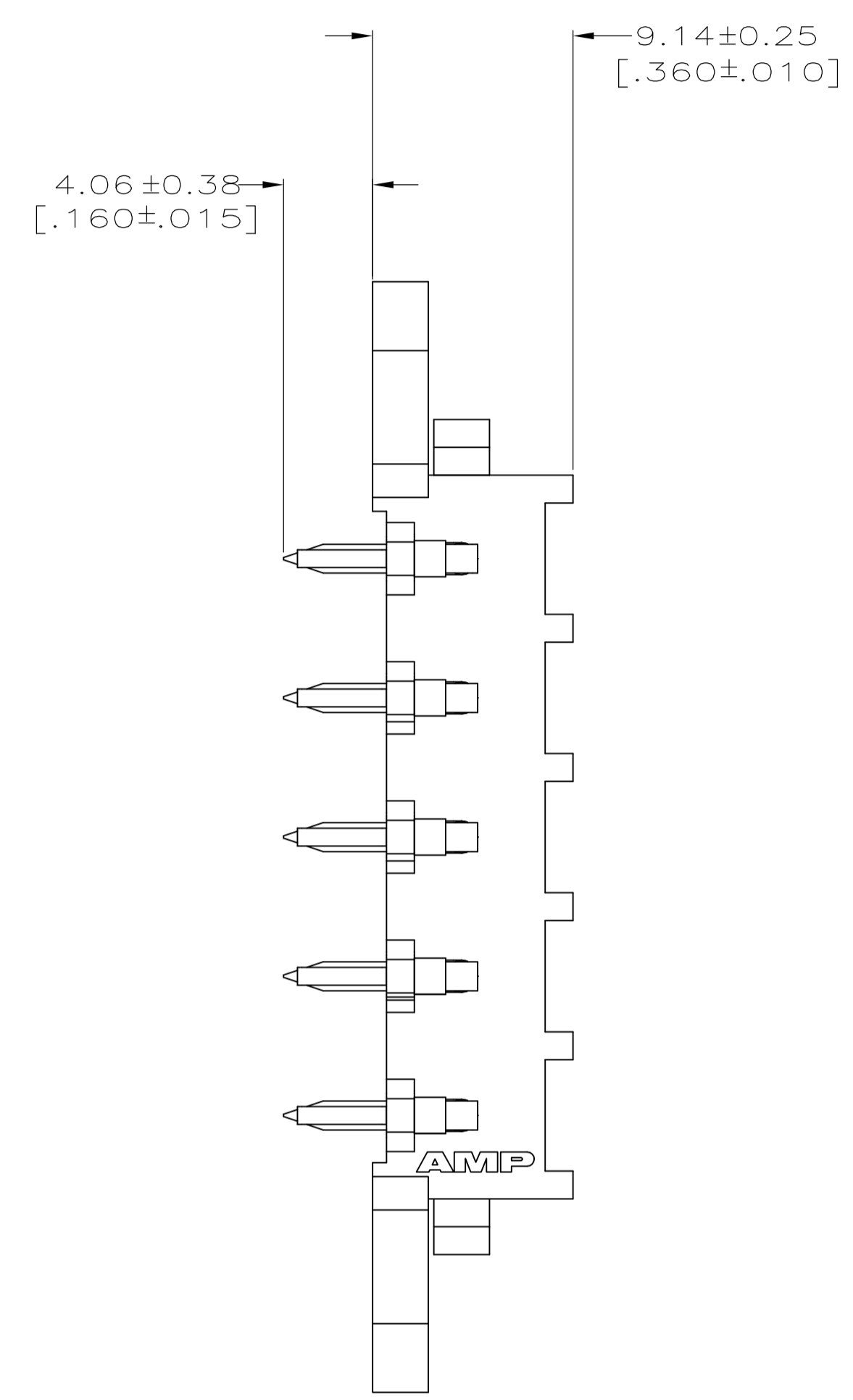
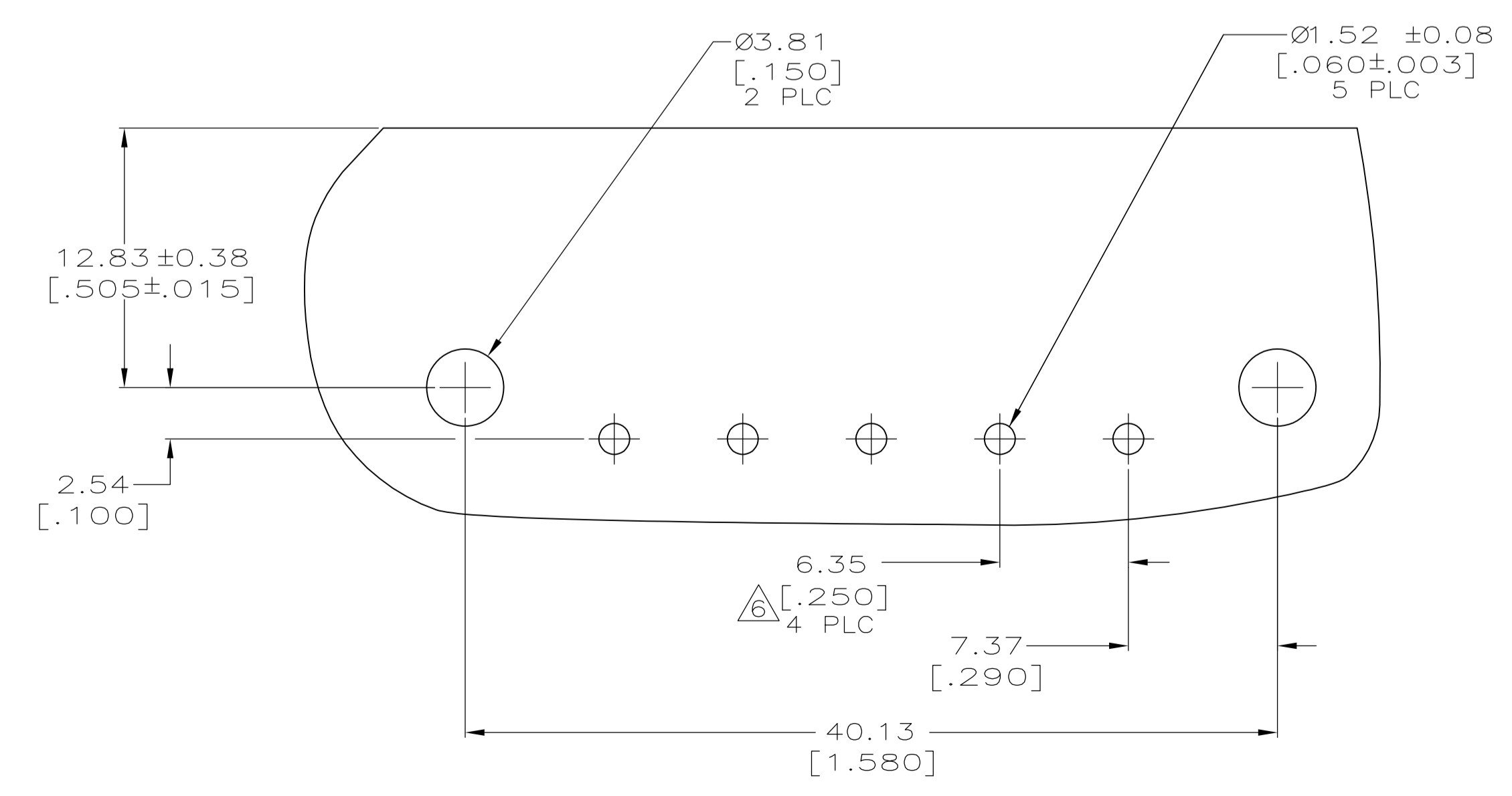


- 1 PARTS COMPLY WITH AMP SOLDERABILITY SPECIFICATION 109-11-5.
- 2 CIRCUIT IDENTIFICATION CHARACTERS ARE ADJACENT TO THE INDICATED CAVITIES, BUT LOCATION AND ORIENTATION MAY DIFFER FROM PRINT.
- 3 CONTACT IS PLATED OVERALL WITH 0.00127 [.000050] MIN NICKEL, THEN 0.00076 [.000030] GOLD OVER CONTACT LENGTH INDICATED AND MATTE TIN LEAD FINISH ON SOLDER TAIL END.
- 4 DIMENSIONS IN BRACKETS ARE IN INCHES.
- 5 OPTIONAL CONSTRUCTION MAY DELETE THIS RIB.
- 6 TOLERANCE NON-CUMULATIVE
- 7 CONTACT IS PLATED OVERALL WITH 0.00127 [.000050] MIN NICKEL, THEN 0.00076 [.000030] GOLD OVER CONTACT LENGTH INDICATED AND MATTE TIN FINISH ON SOLDER TAIL END.
- 8 SUPERSEDED BY 3-350945-0



3-DIMENSIONAL MODEL NTS



RECOMMENDED MOUNTING HOLE PATTERN FOR .062 [1.57] THICK P.C. BOARD

PH BRZ GOLD 7	NYLON, UL94V-0	3-350945-0
PH BRZ GOLD 3	NYLON, UL94V-0	2-350945-0
PH BRZ TIN	NYLON, UL94V-0	1-350945-0
CONTACT	HOUSING	PART NO

THIS DRAWING IS A CONTROLLED DOCUMENT.		DIN K. WHITAKER 21APR2005		TE Connectivity	
DIMENSIONS: mm [INCHES]		CHK S. RIDGILL 21APR2005		NAME	
TOLERANCES UNLESS OTHERWISE SPECIFIED:		APVD S. RIDGILL 21APR2005		PRODUCT SPEC	
0 PLC ± -		NAME		PIN HEADER ASSEMBLY, RIGHT	
1 PLC ± -		APPLICATION SPEC		ANGLE MOUNT, 5 POSITION,	
2 PLC ± -		SIZE		UNIVERSAL MATE-N-LOK (TM)	
3 PLC ± 0.13 [.005]		CAGE CODE		DRAWING NO	
4 PLC ± -		WEIGHT		RESTRICTED TO	
ANGLES ± 0.30°		A1 00779		350945	
FINISH		CUSTOMER DRAWING		SCALE 4:1 SHEET 1 of 1 REV L2	

X-ON Electronics

Largest Supplier of Electrical and Electronic Components

Click to view similar products for [Pin & Socket Connectors](#) category:

Click to view products by [TE Connectivity](#) manufacturer:

Other Similar products are found below :

[6450822-1](#) [770392-1](#) [794042-1](#) [796885-1](#) [8-794535-1](#) [PLR3455ACS-222](#) [R929991004](#) [R929993003](#) [1403611-1](#) [1-480349-5](#) [152302-5](#)
[153211-2](#) [1586092-1](#) [1586129-1](#) [1586681-4](#) [1586700-1](#) [1586368-1](#) [1586380-1](#) [1586616-1](#) [1586680-5](#) [16-06-0038](#) [164164-5](#) [1-6609930-1](#)
[172296-1](#) [19-09-2035](#) [200503-1](#) [200788-2](#) [2029090-4](#) [2029095-4](#) [925061-7](#) [293734-4](#) [293737-2](#) [1-765362-4](#) [1871534-1](#) [200833-4](#)
[2008625-2](#) [2029027-2](#) [2029096-4](#) [R929991000](#) [R929991002](#) [R929993000](#) [319-10-101-00-005000](#) [319-10-102-00-001000](#) [319-10-104-00-001000](#) [319-10-105-00-001000](#) [319-10-108-00-001000](#) [319-10-112-00-006000](#) [39-01-8019](#) [319-10-101-00-001000](#) [319-10-102-00-005000](#)