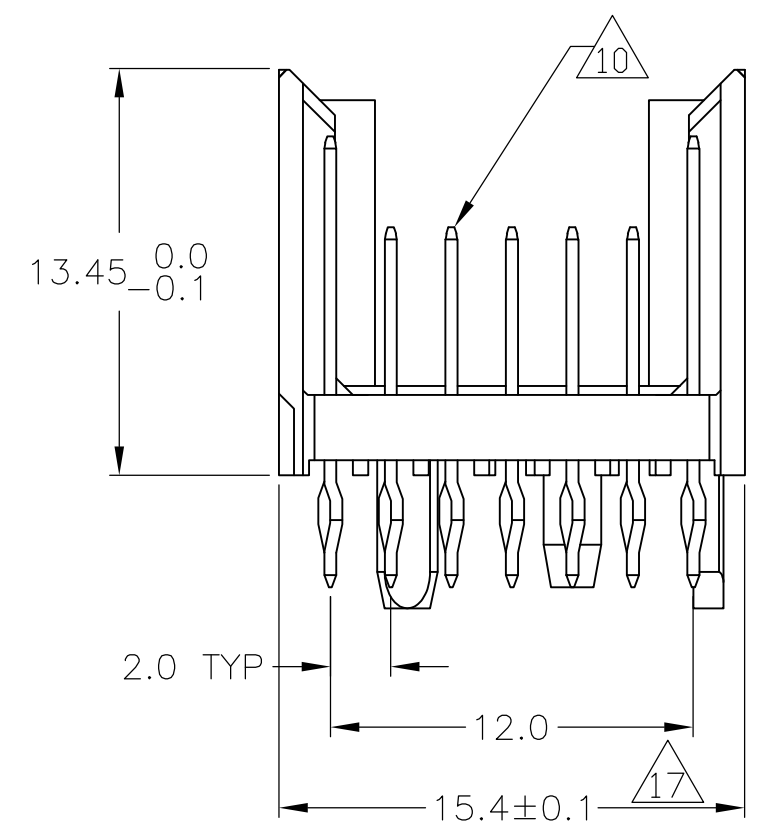
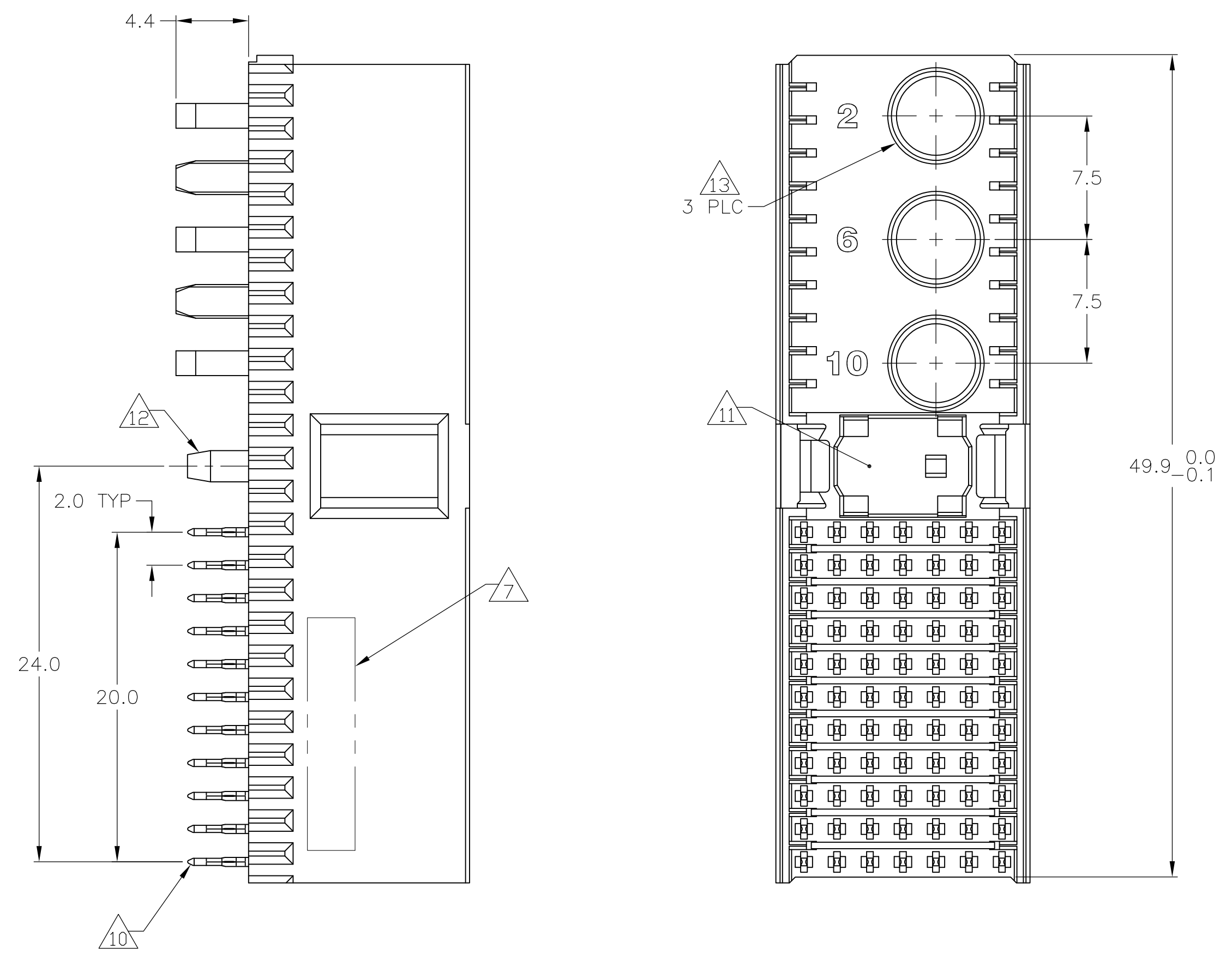
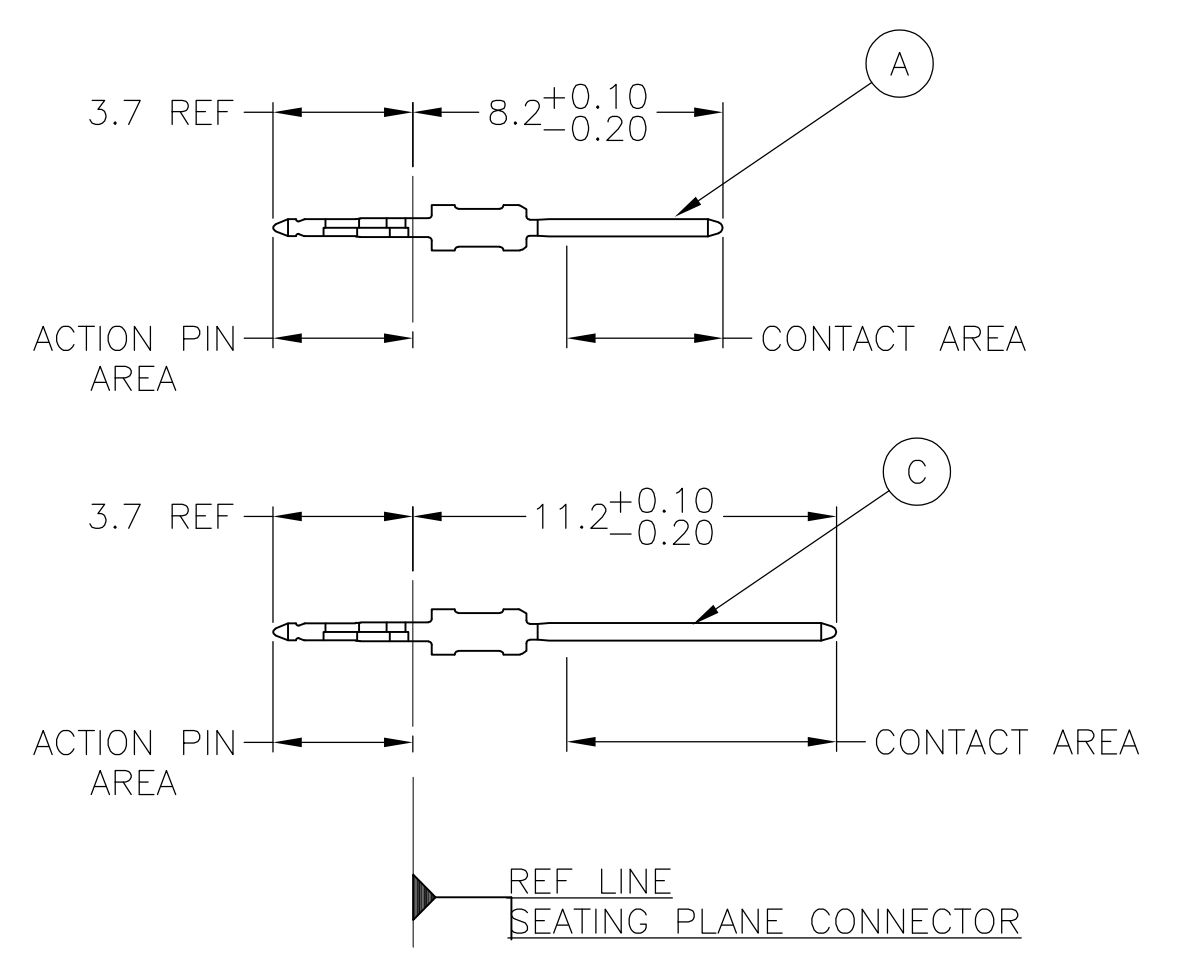


LOC	DIST	REVISIONS				
AD	00	REV	DESCRIPTION	DATE	BY	CHK
		A1	REV PER ECR-10-00662	18JAN2010	JY	SY
		B	ECR-10-019054	15SEP10	DP	MQW
		C	ECR-12-009864	03DEC12	SY	AC

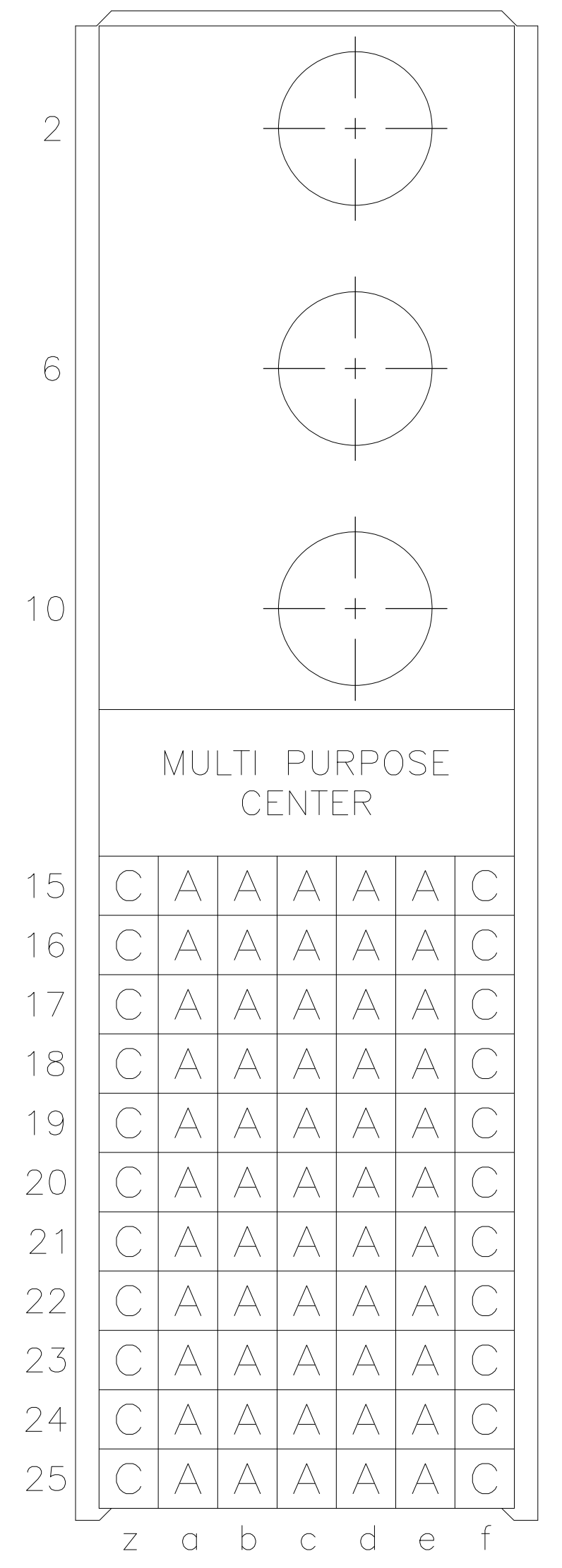
### CONNECTOR ASSEMBLY EXAMPLARY LOADED $\Delta$ 9



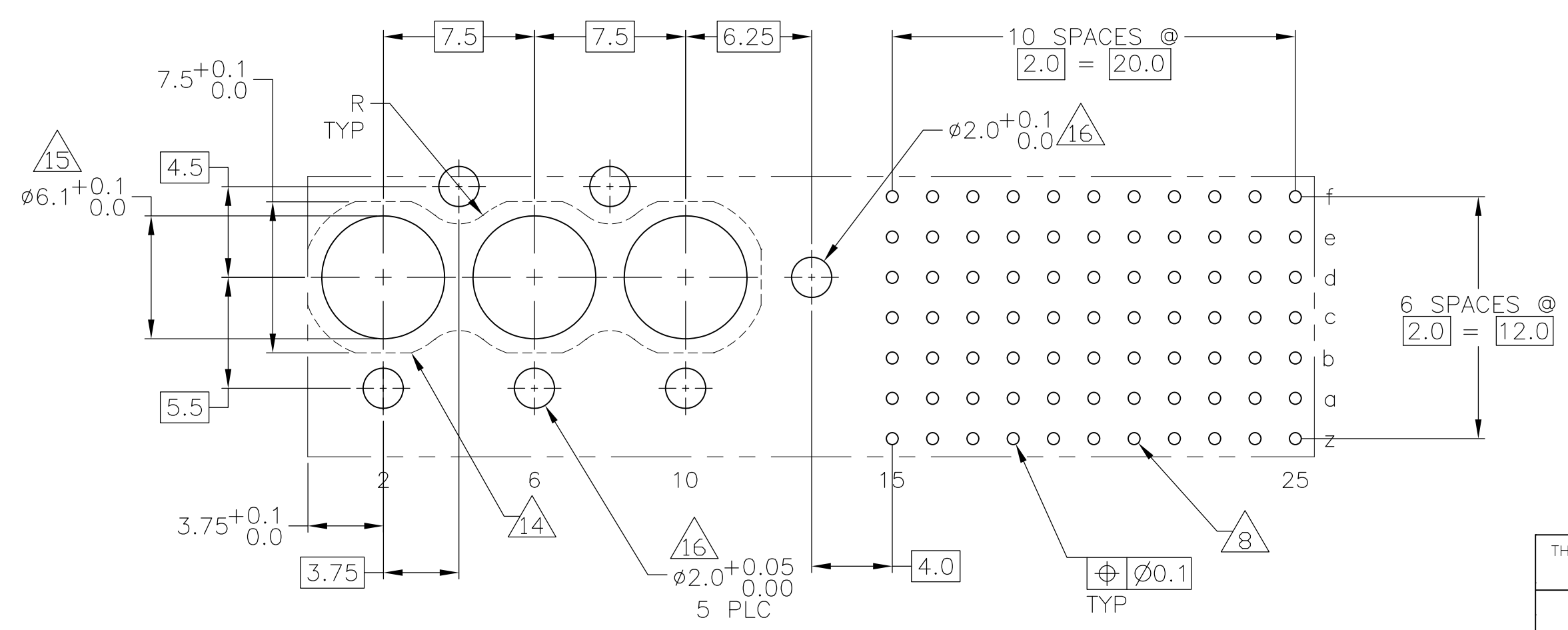
### CONTACT DIMENSIONS SCALE 5:1



### CONTACT LAYOUT



### RECOMMENDED PCB-HOLE LAYOUT COMPONENT SIDE SHOWN



### PLATED THRU HOLES PARAMETERS REFERENCE APPLICATION SPECIFICATION

REV	DESCRIPTION	PART NUMBER	
2	3	19	3-352049-0
2	6	18	1-352049-9
2	5	18	352049-9
2	4	4	352049-4
2	3	3	352049-1
OBSOLETE			
FINISH		PART NUMBER	

THIS DRAWING IS A CONTROLLED DOCUMENT.

DIMENSIONS: mm	TOLERANCES UNLESS OTHERWISE SPECIFIED:	DIN B CARBO 06DEC05	06DEC05	Tyco Electronics Corporation Harrisburg, Pa 17105-3608	
$\varnothing$	0-PLC ±	CHK G SKIPPER	06DEC05	NAME	
$\varnothing$	1-PLC ±	APVD G SKIPPER	06DEC05	PRODUCT SPEC	
$\varnothing$	2-PLC ±0.2	108-19082		MALE ASSEMBLY, Z-PACK 2mm HM, TYPE M	
$\varnothing$	3-PLC ±0.005	APPLICATION SPEC		SIZE	
$\varnothing$	4-PLC ±0.30	114-19029		CAGE CODE	DRAWING NO
$\varnothing$	ANGLES	WEIGHT		A1	00779
MATERIAL	FINISH	CUSTOMER DRAWING		SCALE	SHEET
1	SEE TABLE	SCALE 4:1		SHEET 1 of 2	REV C

THIS DRAWING IS UNPUBLISHED. RELEASED FOR PUBLICATION  
 © COPYRIGHT BY TYCO ELECTRONICS CORPORATION. ALL RIGHTS RESERVED.

LOC		DIST		REVISIONS			
#	DATE	DESCRIPTION	DATE	OWN	APVD		
AD	00						
		SEE SHEET 1					

- 1 MATERIAL:  
CONTACT: PHOSPHOR BRONZE.  
HOUSING: GLASS-FILLED POLYESTER.
- 2 GENERAL PLATING SPECIFICATION: UNDERPLATING  
(ENTIRE CONTACT): 1.27µm MIN NICKEL AND ACTION  
PIN: 0.5µm MIN TIN/LEAD.  
FOR PLATING OF MATING SURFACES SEE APPLICABLE  
SPECIFICATION REFERENCE FOR EACH DASH NUMBER.
- 3 CONFORMS TO ALL TESTING ACCORDING TO IEC 61076-4-101  
PERFORMANCE LEVEL 2.
- 4 CONFORMS TO ALL TESTING ACCORDING TO IEC 61076-4-101  
PERFORMANCE LEVEL 1.
- 5 CONNECTOR TESTED AND QUALIFIED AGAINST TELCORDIA GR-1217-CORE QUALITY LEVEL 3,  
CENTRAL OFFICE APPLICATIONS.
- 6 CONNECTOR TESTED AND QUALIFIED AGAINST TELCORDIA GR-1217-CORE QUALITY LEVEL 3,  
UNCONTROLLED ENVIROMENT APPLICATIONS.
- 7 CONNECTOR MARKED WITH PART NUMBER AND DATE CODE.  
ADDITIONAL CHARACTERS OR MARKINGS, AS WELL AS THE LOCATION  
OF THE MARKINGS, MAY BE ADDED FOR TRACEABILITY BASED UPON  
MANUFACTURERS DISCRETION.
- 8 PLATED-THROUGH HOLES AT 2x2mm SQUARE GRID  
PATTERN DEFINED BY CONTACT LAYOUT.
- 9 FOR ACTUAL PIN LOADING SEE "CONTACT LAYOUT".
- 10 FOR ACTUAL PIN DIMENSIONS SEE "CONTACT DIMENSIONS".
- 11 AREA RESERVED FOR KEYING PART (BASIC P/N 100525).
- 12 POLARIZATION FEATURE.
- 13 CONTACT CAVITIES SUITABLE FOR ø4.8 HIGH CURRENT, HIGH FREQUENCY OR  
FIBRE OPTIC CONTACTS AS PER DIN 41626 (SEE ALSO NOTE 14 AND 15).
- 14 PATERN FOR FIBRE OPTIC CONTACTS.
- 15 NOT PLATED THROUGH HOLES, TO BE REPLACED BY ø5.9<sup>+0.1</sup><sub>0.0</sub> PLATED THOUGH  
HOLES IF STRAIGHT SOLDER CONTACTS ARE APPLIED.
- 16 NOT PLATED THROUGH HOLES.
- 17 TO BE MEASURED AT BOTTOM OF SHROUD.
- 18 CONNECTOR LUBRICATED WITH TELCORDIA APPROVED LUBRICANT,  
TECHNICAL REFERENCE: TR-NWT-001217 ISSUE 1, SEP 1992.
- 19 0.76µm MIN GOLD PLATING AT MATING SURFACES.

THIS DRAWING IS A CONTROLLED DOCUMENT.		DWN E. CARBO	06DEC05	Tyco Electronics Corporation Harrisburg, Pa 17105-3608	
DIMENSIONS: mm		CHK G. SKIPPER	06DEC05	NAME MALE ASSEMBLY, Z-PACK 2mm HM, TYPE M	
TOLERANCES UNLESS OTHERWISE SPECIFIED:		APVD G. SKIPPER	06DEC05	PRODUCT SPEC 108-19082	
0-PLG ±		APPLICATION SPEC 114-19029		RESTRICTED TO	
1-PLG ±0.2		SIZE A1		CAGE CODE 00779	
2-PLG ±0.02		DRAWING NO 352049		REV -	
3-PLG ±0.005		WEIGHT -		SCALE 4:1	
4-PLG ±		CUSTOMER DRAWING		SHEET 2 OF 2	
ANGLES ±0.30°				REV C	
MATERIAL SEE SHEET 1	FINISH SEE SHEET 1				

## X-ON Electronics

Largest Supplier of Electrical and Electronic Components

*Click to view similar products for [Hard Metric Connectors](#) category:*

*Click to view products by [TE Connectivity](#) manufacturer:*

Other Similar products are found below :

[10146110-VR5C](#) [6345127-1](#) [646916-9](#) [6469658-1](#) [853016](#) [973108](#) [1-2000713-0](#) [1-2000713-2](#) [1-2000713-3](#) [120646-1](#) [134187](#) [1645343-1](#)  
[1645456-1](#) [1645564-3](#) [1645594-1](#) [1645601-1](#) [1934822-1](#) [2000829-2](#) [2000985-2](#) [223085-1](#) [278071110010833](#) [1645179-1](#) [1645245-1](#)  
[1645457-1](#) [1645525-1](#) [1645570-1](#) [1645596-1](#) [17-8072-125-000-863+](#) [1857470-1](#) [1934275-1](#) [1934289-1](#) [1934759-1](#) [2000670-2](#) [2000673-1](#)  
[2000843-2](#) [2000984-2](#) [204975](#) [2170292-2](#) [2-536642-6](#) [3-100668-0](#) [3-106015-1](#) [352188-1](#) [352629-1](#) [3-646346-0](#) [3-646356-0](#) [3-646457-0](#) [3-646529-0](#) [3-646530-0](#) [5120823-1](#) [5120899-1](#)