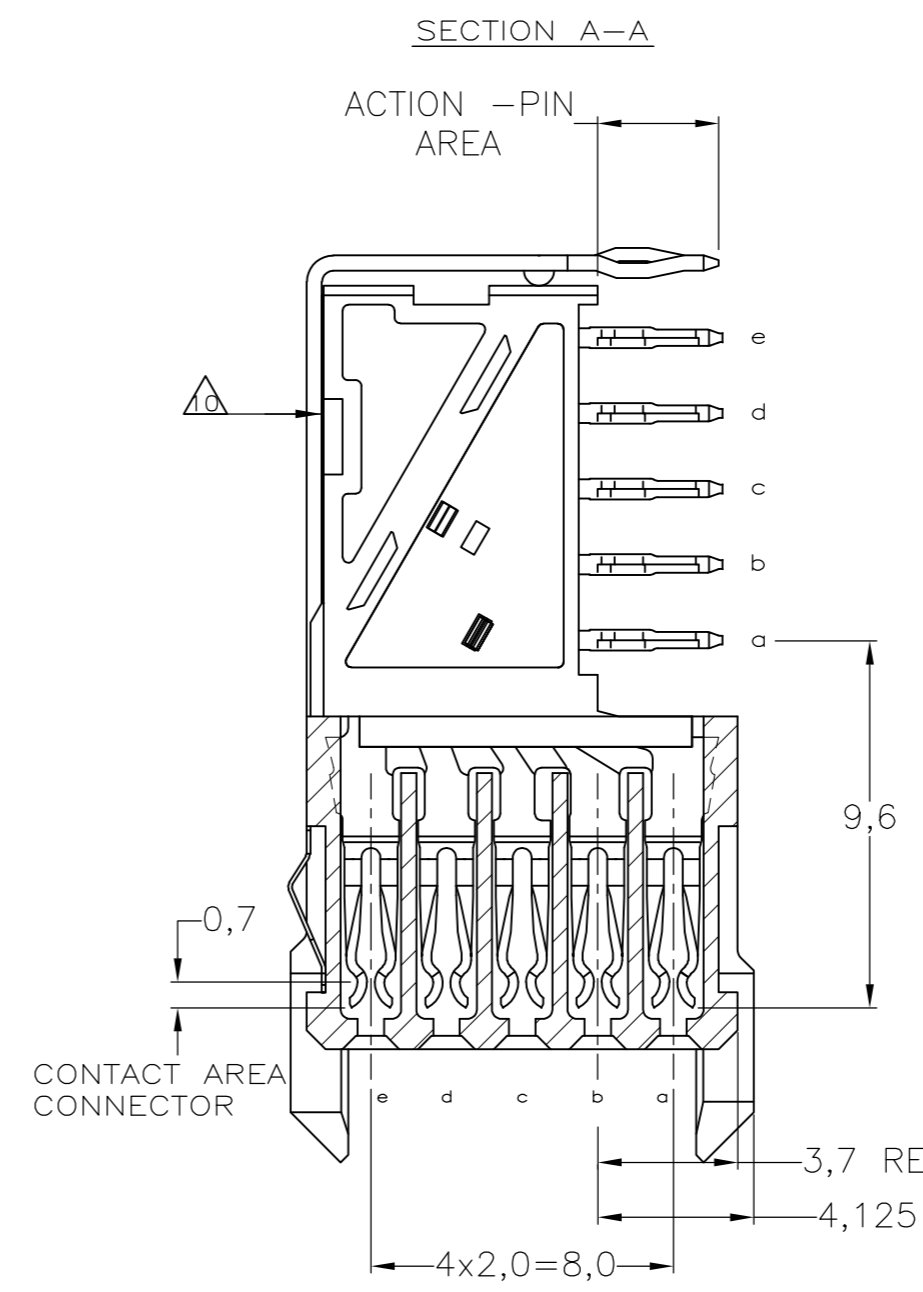
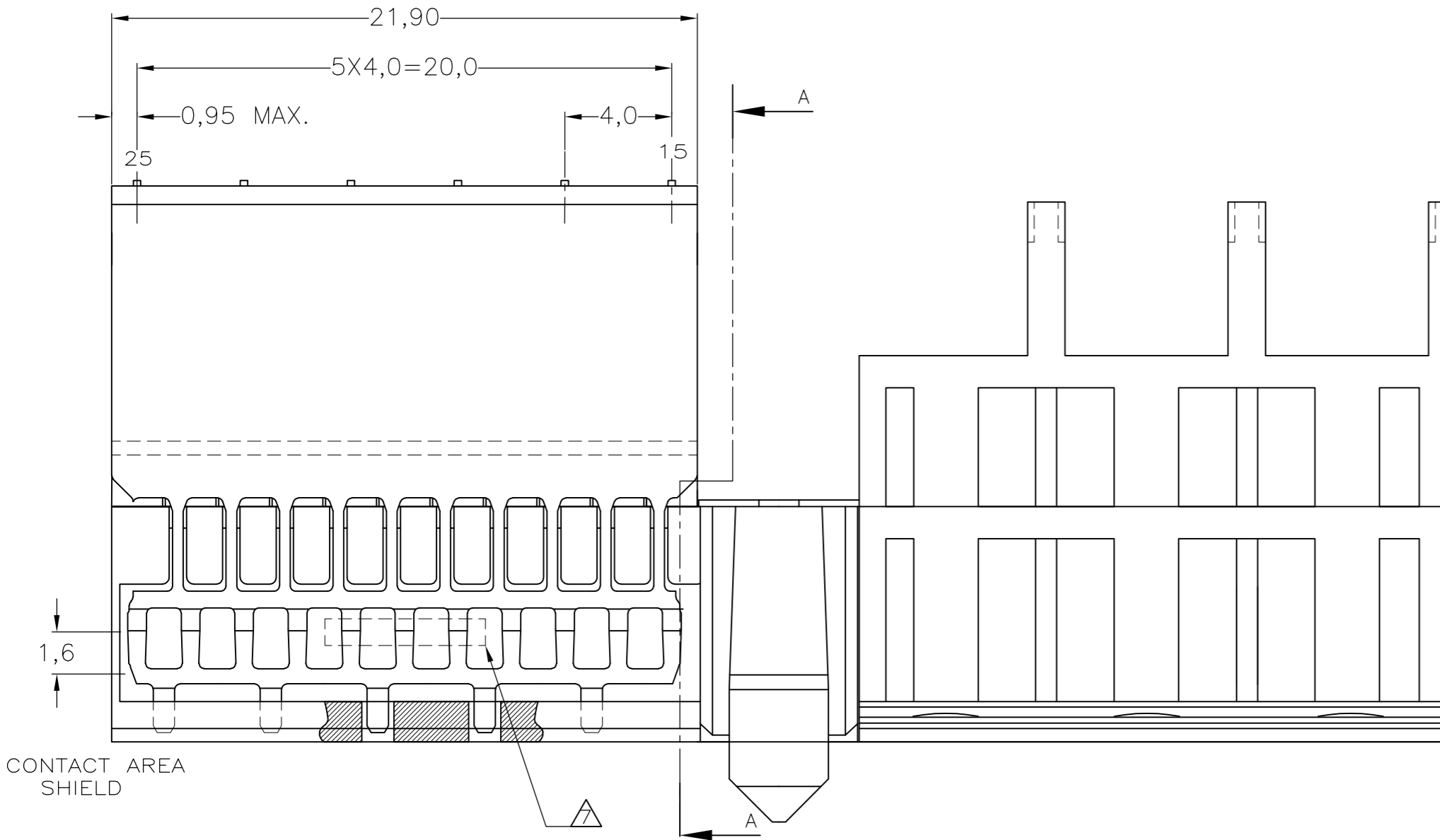
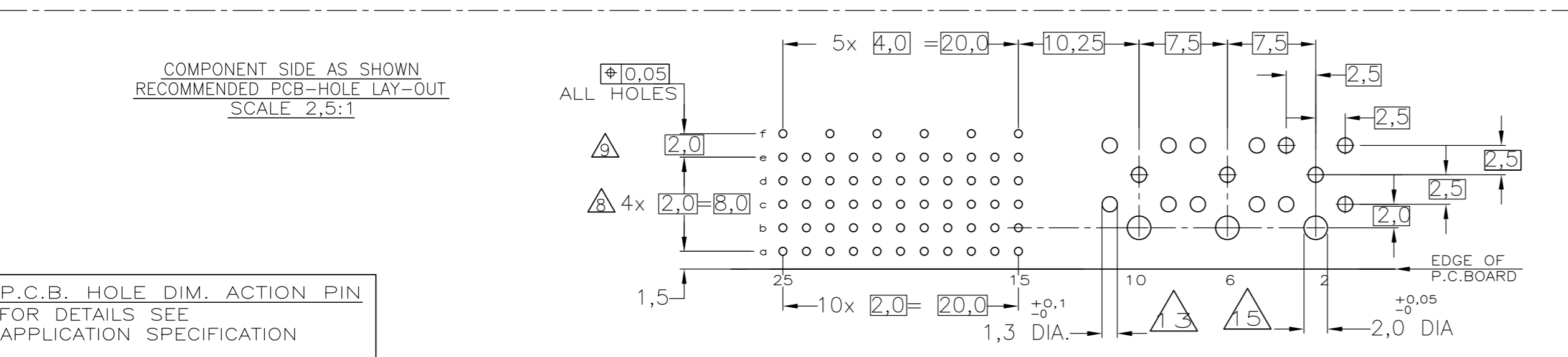
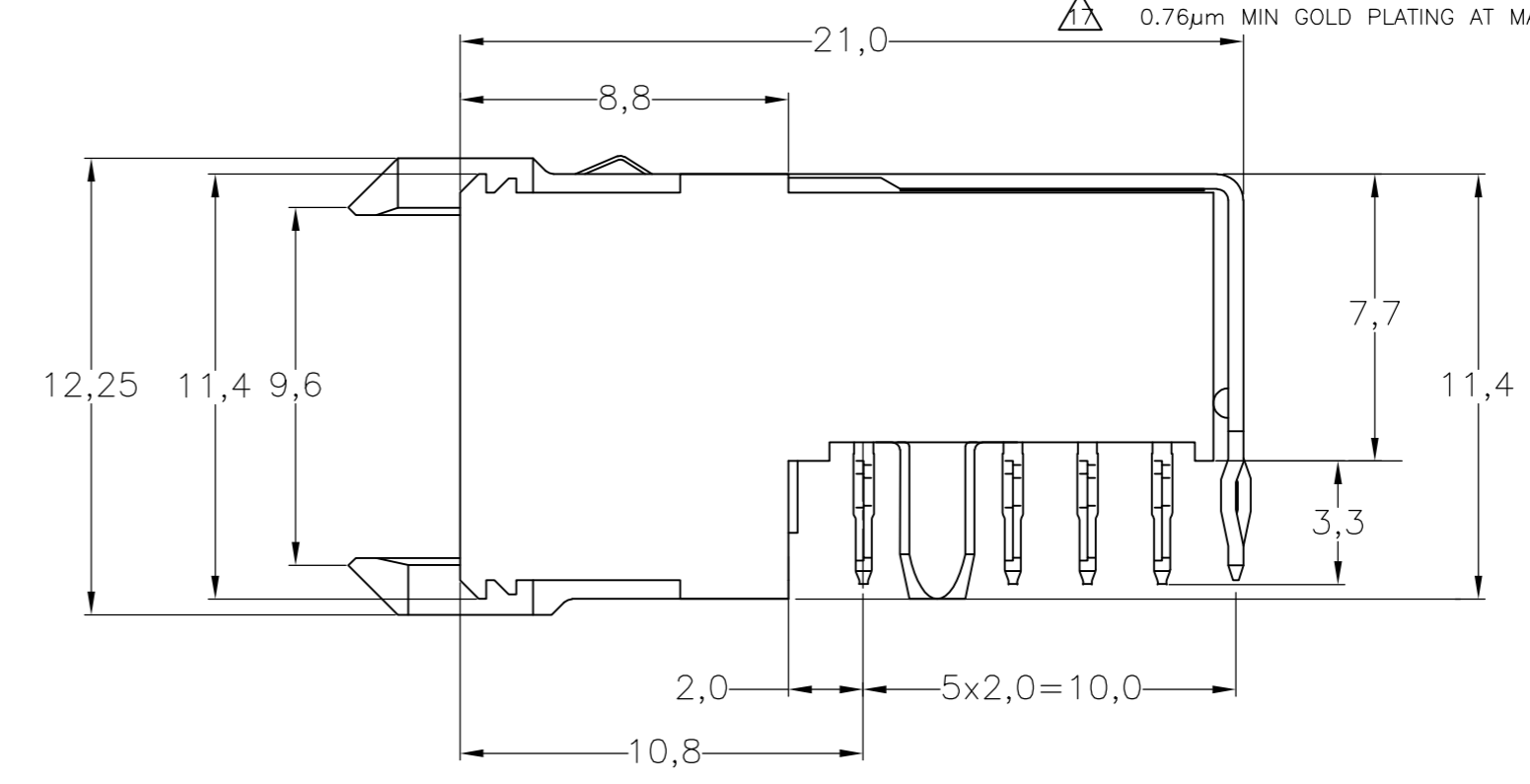
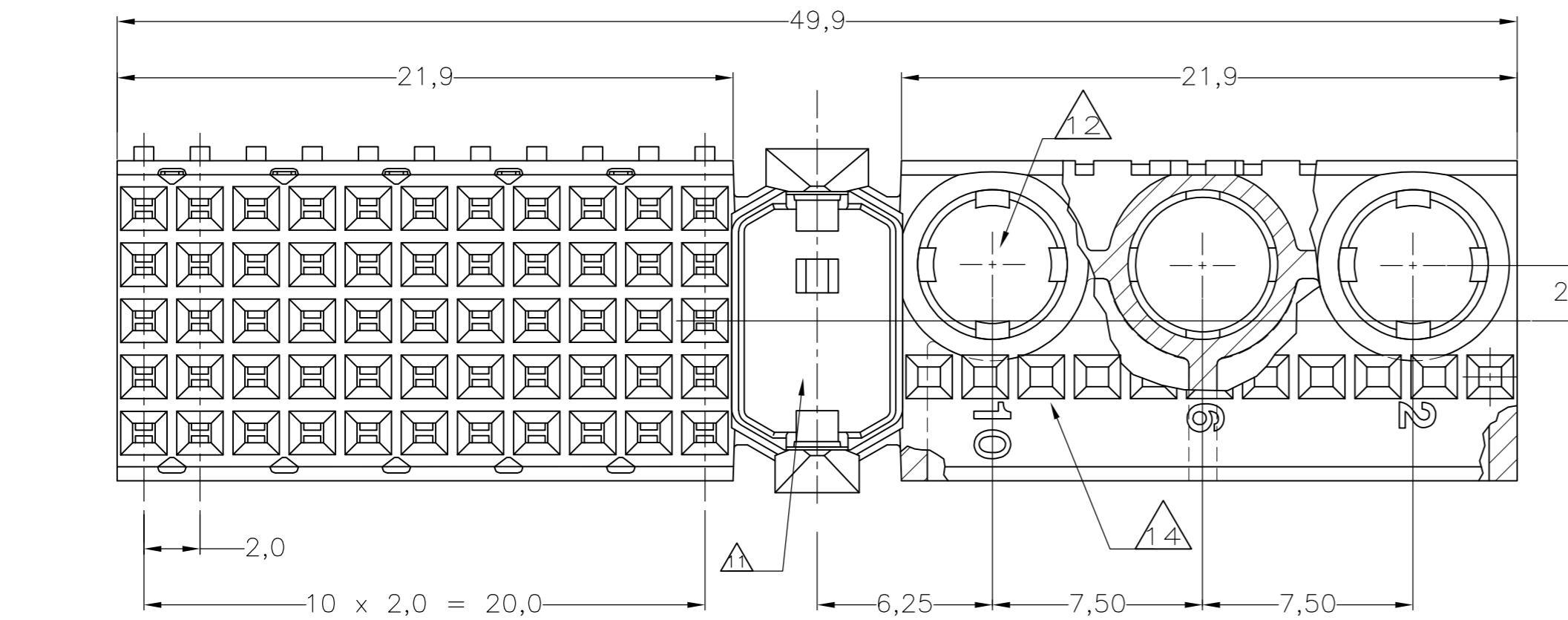


THIS DRAWING IS UNPUBLISHED. RELEASED FOR PUBLICATION  
 © COPYRIGHT BY TYCO ELECTRONICS CORPORATION. ALL RIGHTS RESERVED.

Loc	DIST	REVISIONS					
		P	LTR	DESCRIPTION	DATE	DWN	APVD
H	-	G4	REV PER	ECR-10-000455	07JAN2010	JY	SY
		H	ECR-10-018652	10SEP10	SW	MQW	
		J	ECR-12-010544	6NOV12	SY	AC	



- NOTES:**
- 1** MATERIAL CONTACTS; PHOSPHORBRONZE  
MATERIAL SHIELDING; PHOSPHORBRONZE  
MATERIAL HOUSING; GLASSFILLED POLYESTER (GRAY)  
UL-RATING 94V0.
  - 2** GENERAL PLATING SPECIFICATION: UNDERPLATING (ENTIRE CONTACT):  
1,27µm NICKEL MIN. AND ACTION PIN: 0,5µm TIN-LEAD MIN.  
FOR PLATING OF MATING SURFACES SEE APPLICABLE SPECIFICATION  
REFERENCE FOR EACH DASH NUMBER.
  - 3** CONFORMS TO ALL TESTING ACCORDING IEC 61076-4-101  
PERFORMANCE LEVEL 2.
  - 4** CONNECTOR TESTED AND QUALIFIED AGAINST TELCORDIA GR-1217-CORE  
QUALITY LEVEL III, CENTRAL OFFICE APPLICATIONS.
  - 5** CONNECTOR LUBRICATED WITH TELCORDIA GR-1217-CORE  
APPROVED LUBRICANT.
  - 6** PLATING SHIELD:  
CONTACT AREA : 0,76µm Au MIN.  
ACTION PIN : 0,5µm SnPb MIN.  
REMAINDER : Ni
  - 7** ASSEMBLY PRINTED WITH P/N AND DATECODE  
THE MARKING CAN APPEAR ON THE FRONT SIDE OR BACK SIDE.
  - 8** HOLE PATTERN FOR FEMALE CONNECTOR TYPE M  
55 PLATED-THROUGH HOLES AT 2x2mm SQUARE GRID  
**9** ROW "r" 6 PLATED THROUGH HOLES FOR UPPERSHIELD
  - 10** SHIELD MOUNTED ON CONNECTOR WITH DOUBLE SIDED  
ADHESIVE TAPE OR ADHESIVE
  - 11** AREA RESERVED FOR KEYING PART (BASIC P.N. 100526)
  - 12** CONTACT CAVITIES (3x) SUITABLE FOR 4,8 DIA. HIGH CURRENT,  
HIGH FREQUENCY OR FIBRE OPTIC CONTACTS AS PER DIN 41626  
(SEE ALSO NOTE 6).
  - 13** 1,3 DIA. PLATED-THROUGH HOLES (15x) CAN BE OMITTED  
IF SPECIAL CONTACTS WITH CABLE CONNECTION OR FIBRE  
OPTIC CONTACTS ARE USED.
  - 14** THIS ROW OF 11 CAVITIES (B1 TO B11) FOR  
CONNECTOR ASSEMBLY PURPOSE ONLY.
  - 15** NOT PLATED-THROUGH HOLES (3x).
  - 16** FITS WITH LOWERSHIELD BASIC P/N 352112
  - 17** 0.76µm MIN GOLD PLATING AT MATING SURFACES.



<b>OBSOLETE</b>			3-352177-0
<b>OBSOLETE</b>			352177-9-
<b>OBSOLETE</b>			352177-1-
<b>CONTACT FINISH</b>		<b>MATERIAL</b>	<b>PARTNUMBER</b>

**THIS DRAWING IS A CONTROLLED DOCUMENT.** DWN D. TRUREN 20JAN97

DIMENSIONS: MM. TOLERANCES UNLESS OTHERWISE SPECIFIED: ±0.2

**Tyco Electronics** Tyco Electronics Corporation  
s-Hertogenbosch, Netherlands.

**Z-PACK 2MM HM TYPE M (55 POS.) PRE-SHIELDED RECEPTACLE**

**108-19082**  
APPLICATION SPEC

**114-19029**  
WEIGHT

**A2 00779**  
SCALE NTS

**C=352177**  
SHEET 1 OF 1

CUSTOMER DRAWING

## X-ON Electronics

Largest Supplier of Electrical and Electronic Components

*Click to view similar products for [Hard Metric Connectors](#) category:*

*Click to view products by [TE Connectivity](#) manufacturer:*

Other Similar products are found below :

[6345127-1](#) [646916-9](#) [6469658-1](#) [973108](#) [1-2000713-0](#) [1-2000713-2](#) [1-2000713-3](#) [1645343-1](#) [1645456-1](#) [1645594-1](#) [1645595-1](#) [1645601-1](#)  
[1934822-1](#) [278071110010833](#) [1645179-1](#) [1645245-1](#) [1645457-1](#) [1645525-1](#) [1645570-1](#) [1645596-1](#) [17041102202](#) [1857470-1](#) [1934275-1](#)  
[1934289-1](#) [1934759-1](#) [2000673-1](#) [2170292-2](#) [2-536642-6](#) [3-106015-1](#) [352188-1](#) [352629-1](#) [5120823-1](#) [5120899-1](#) [3-100145-0](#) [3-100147-0](#)  
[3-100669-1](#) [3-106081-0](#) [HM2DK2368PLF](#) [5646530-1](#) [3-352049-0](#) [3-352069-0](#) [3-352115-0](#) [3-352638-0](#) [352189-1](#) [3-646357-0](#) [3-646487-0](#)  
[3-646513-0](#) [104108](#) [106726-1](#) [114352](#)