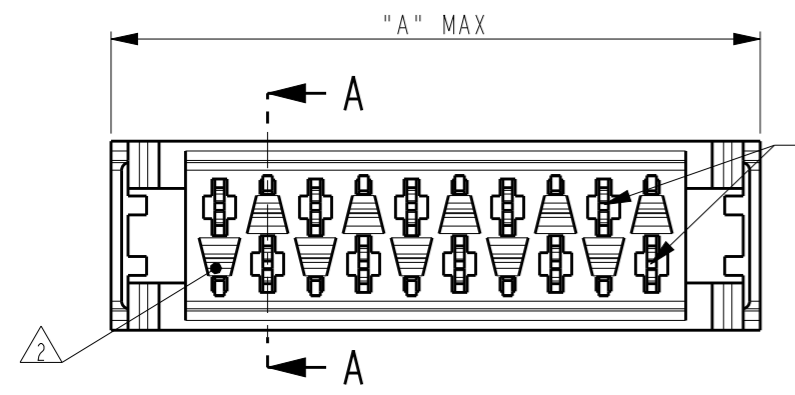


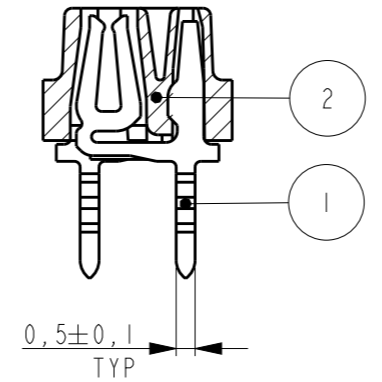
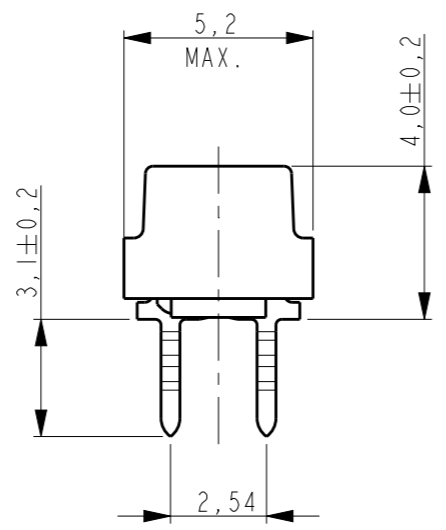
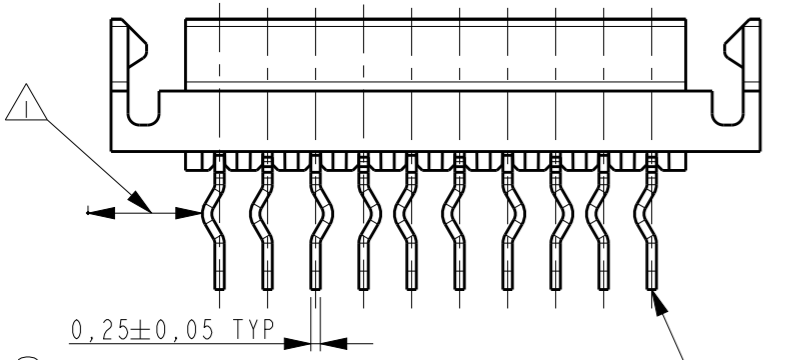
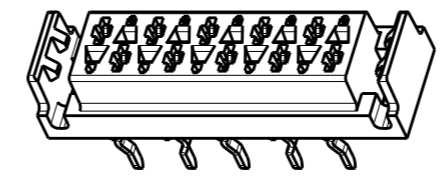
THIS DRAWING IS UNPUBLISHED. RELEASED FOR PUBLICATION
 © COPYRIGHT - BY - ALL RIGHTS RESERVED.

REVISIONS

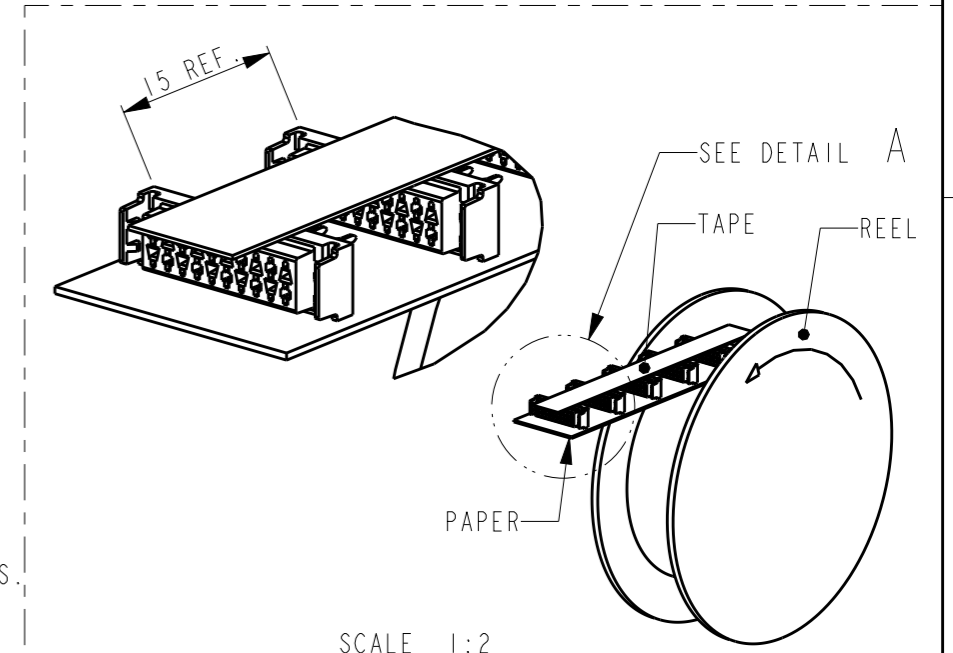
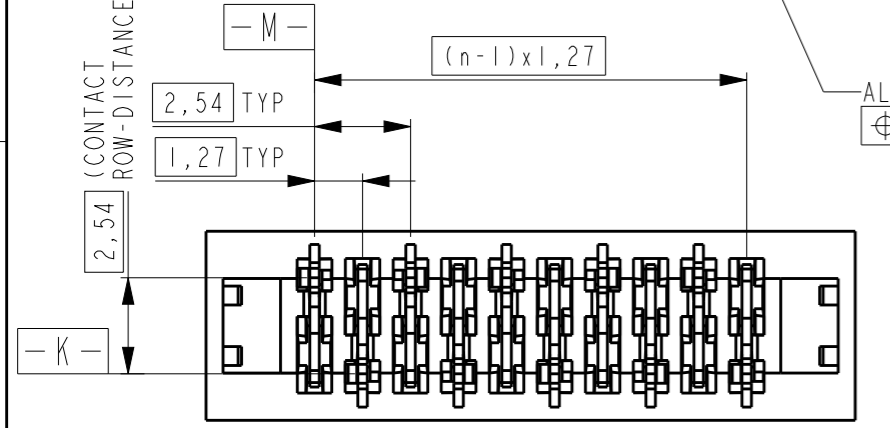
P	LTR	DESCRIPTION	DATE	DWN	APVD
	F1	TAPE WIDTH DIMENSION REMOVED	25JAN2016	SS	PS



REFERENCE MATING INTERFACE PATTERN
 1,27 STAGGERED PITCH x 1,5 ROW DISTANCE.



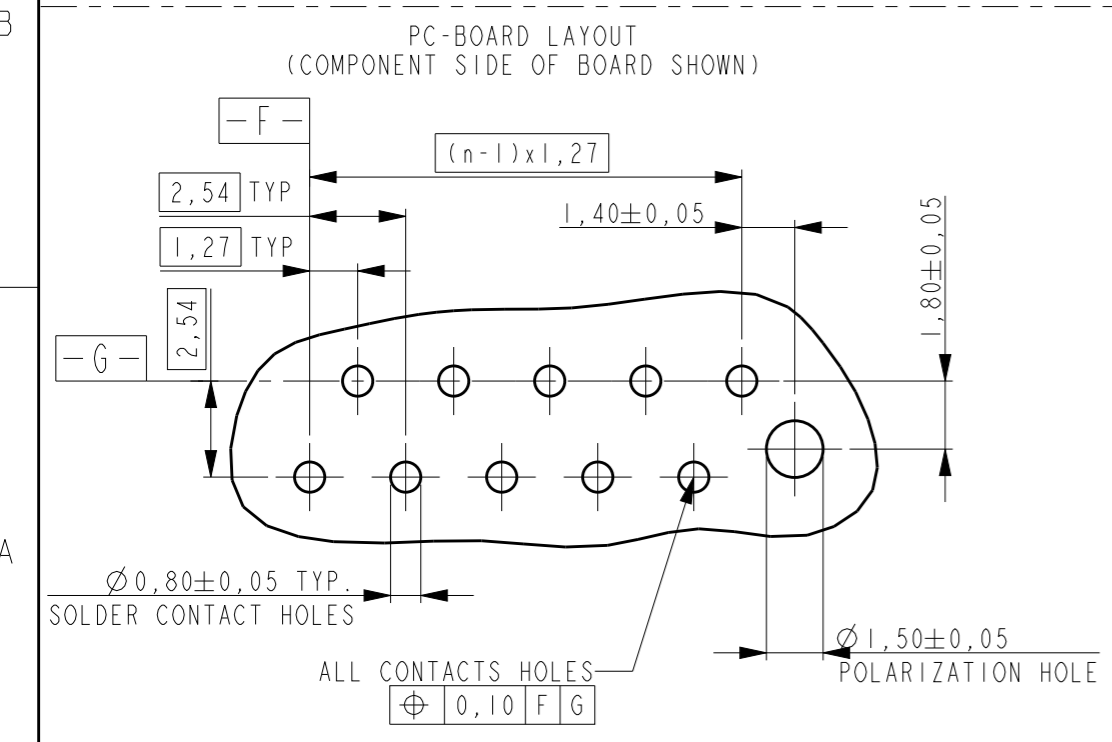
PART NUMBER REEL PACKAGING	NR OF POS "n"	DIMENSION "A" MAX
338068-4	4	9,7
338068-6	6	12,2
338068-8	8	14,7
1-338068-0	10	17,3
1-338068-2	12	19,8
1-338068-4	14	22,4
1-338068-6	16	24,9
1-338068-8	18	27,4
2-338068-0	20	30,0



SCALE 1:2
 REEL PACKAGING
 DEREELING DIRECTION AND CONNECTOR POSITION
 2500 CONNECTORS PER REEL FOR ALL PART NUMBERS

NOTES:

- 1 IN EACH ROW, DIRECTION OF KINKS STARTS RANDOM. IN EACH ROW, SEQUENTIAL CONTACTS HAVE OPPOSITE KINK DIRECTIONS.
- 2 CORING-OUTS FOR MANUFACTURING PURPOSE ONLY. SHAPE MAY VARY, BUT IS NOT FUNCTIONAL FOR THE APPLICATION.
- 3 SHOWN IS A 10 POSITION CONNECTOR.



ITEM NO.	DESCRIPTION	MATERIAL	FINISH / COLOR
2	FEMALE HOUSING	G.F.POLYESTER PBT	RED
1	FEMALE CONTACT	PHOSPHOR BRONZE	TIN OVER NICKEL

THIS DRAWING IS A CONTROLLED DOCUMENT.

DWN M. GOSSELINK
 CHK -
 APVD -
 PRODUCT SPEC 108-19052
 APPLICATION SPEC -
 WEIGHT -

STE TE Connectivity

NAME
 CONNECTOR,
 FEMALE-ON-BOARD TOP-ENTRY,
 THRU-HOLE, WITH LATCHES, Micro-Match

SIZE A3 CAGE CODE 00779 DRAWING NO C-338068 RESTRICTED TO -

MATERIAL SEE TABLE FINISH SEE TABLE

Customer Drawing SCALE 5:1 SHEET 1 OF 1 REV F1

X-ON Electronics

Largest Supplier of Electrical and Electronic Components

Click to view similar products for [Headers & Wire Housings](#) category:

Click to view products by [TE Connectivity](#) manufacturer:

Other Similar products are found below :

[892-18-020-10-001101](#) [58102-G61-06LF](#) [582553-1](#) [0009485154](#) [009176003701906](#) [0050291907](#) [LY20-4P-DT1-P1E-BR](#) [02.125.8002.8](#)
[609-3404](#) [61062-3](#) [61082-181009](#) [622-3653LF](#) [63453-116](#) [636-1030](#) [636-1427](#) [636-3427](#) [636-4007](#) [641938-9](#) [641991-4](#) [644827-2](#) [65817-](#)
[010LF](#) [65817-015LF](#) [65863-015LF](#) [66207-023LF](#) [67095-007LF](#) [67601157](#) [68645-018](#) [68648-049](#) [70.362.1628.0](#) [70-4210](#) [70-4226B](#) [70-](#)
[4853B](#) [707-5020](#) [707-5028](#) [71.350.2428.0](#) [71918-208LF](#) [71961-016LF](#) [733-134](#) [733-162](#) [754199-000](#) [760-3052](#) [79531-3000](#) [FCN-](#)
[360C032-B](#) [FCN-367T-T012/H](#) [FCN-723D010/2](#) [80.063.4001.1](#) [800-90-010-10-002000](#) [801-43-002-10-013000](#) [801-43-006-10-002000](#)
[801-93-011-10-001000](#)