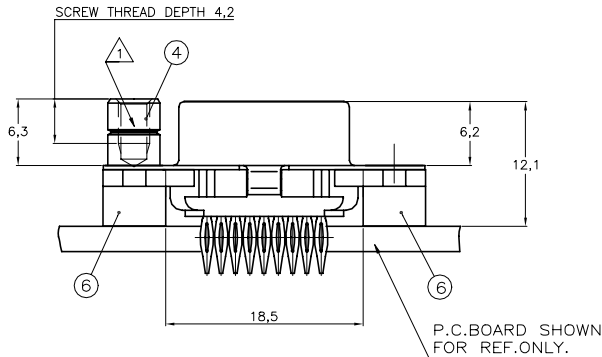
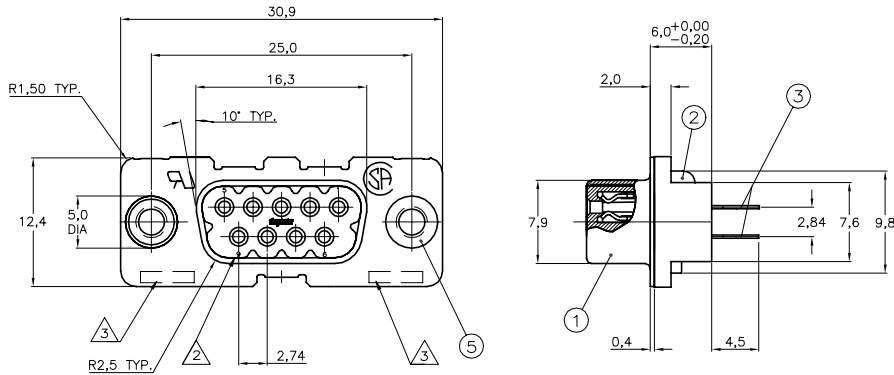


REVISIONS					
P	LTR	DESCRIPTION	DATE	OWN	APVD
J2		ECO-20-004921	13APR2020	RR	SH

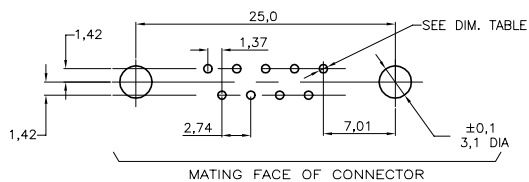
03FEB10 KK HMR



P.C.B. HOLE DIM. FOR CONTACTS	
DRILLED HOLE	: 1,15 ±0,025 mm
FIN. HOLE	: 0,94 to 1,09 mm
AFTER REFLOW	: 0,91 to 1,09 mm
Cu-thks	: 0,025 to 0,075 mm
SnPb-thks	: 0,004 to 0,010 mm

⚠️ OBSOLETE PARTS: OBSOLETE CIS STREAMLINING PER D.RENAUD/D.SINISI

RECOMMENDED P.C. BOARD HOLE-LAYOUT



ACCESSORIES PREFIX "Z"	ITEM NO	DESCRIPTION OF ACCESSORY	2	3	4
5		BUSHING WITH THROUGH HOLE 3,1 DIA.	2	2	2
5		BUSHING WITH THREAD 4-40 UNC	2	2	2
5		BUSHING WITH THREAD M3	2	2	2
4		FEMALE SCREWLOCK WITH 4-40 UNC	2	2	2
4		FEMALE SCREWLOCK WITH M3	2	2	2

HOW TO ORDER:	PLATING SUFFIX "Y"
9 POS.-----> Z-338210-Y	
PREFIX FOR ACCESSORIES	
BASIC PARTNR.	
SUFFIX FOR PLATING	
	0-XXXXXX-Y 1-XXXXXX-Y 2-XXXXXX-Y 3-XXXXXX-Y 4-XXXXXX-Y

GOLD OVER NICKEL AS PER PERFORMANCE LEVEL 2 (DIN 41652)  
PRESS-FIT PART: TIN-PLATING 3µm } -Y = -2

- NOTES :
- ⚠️ GROOVE INDICATES VERSION WITH 4-40 UNC INNER THREAD; WITHOUT GROOVE INDICATES VERSION WITH M3 INNER THREAD.
  - ⚠️ CAVITY IDENTIFICATION AT FRONT SIDE ONLY.
  - ⚠️ PARTNUMBER AND DATE CODE.
  - 4 CONNECTOR CAN BE USED FOR PCB THICKNESS OF 1,6 mm MINIMUM AND THICKER.
  - 5 AIR AND CREEPAGE DISTANCES ACCORDING TO DIN 41652.

- ITEM NRS./MATERIAL :
- ① SHELL = BRIGHT TINPLATED STEEL
  - ② HOUSING = GLASSFILLED POLYESTER, COLOR : BLACK
  - ③ CONTACTS = PHOSPHORBRONZE (PLATING : SEE TABLE ABOVE)
  - ④ FEMALE SCREWLOCK = TINPLATED STEEL (INNER THREAD 4-40 UNC OR M3)
  - ⑤ BUSHING = TINPLATED STEEL (INNER THREAD 4-40 UNC OR M3 OR 3,1 DIA. THROUGH HOLE)
  - ⑥ STAND OFF = MAT: ULTRAMID V0 COLOR BLACK.

THIS DRAWING IS A CONTROLLED DOCUMENT.		OWN: D. KESSLER 25FEB99		TE Connectivity	
DIMENSIONS: mm		CHK: W. SOOMERS 24AUG00		HDP-20 SIZE 1 VERTICAL+ RECEPTACLE HEADER; PRESS-FITVERSION	
TOLERANCES UNLESS OTHERWISE SPECIFIED:		APVD: -	RESTRICTED TO		
0 PLC ± -		PRODUCT SPEC	SIZE: A2		
1 PLC ± -		APPLICATION SPEC	CAGE CODE: 00779		
2 PLC ± -		WEIGHT: 0,000000	DRAWING NO: 338210		
3 PLC ± -		CUSTOMER DRAWING	SCALE: - SHEET: 1 of 1 REV: J2		
4 PLC ± -					
ANGLES ± -					

## X-ON Electronics

Largest Supplier of Electrical and Electronic Components

*Click to view similar products for [D-Sub Standard Connectors](#) category:*

*Click to view products by [TE Connectivity](#) manufacturer:*

Other Similar products are found below :

[DCM37S732N](#) [DAM15P500](#) [DEV09S364GTLF](#) [DEM09P032N](#) [DDM50P732N](#) [DAM15S332N](#) [173109-2218](#) [173109-2466](#) [173109-2469](#)  
[173109-2435](#) [56F706-005-LI](#) [56F711-015](#) [015-0341-000](#) [017041-0005](#) [012-9507-114](#) [012-9534-001](#) [609-25P](#) [M24308/2-23Z](#) [M243082310F](#)  
[M24308/2-36Z](#) [M243082411F](#) [M24308315F](#) [M24308/4-21](#) [M243084437F](#) [CT0M22-23SS](#) [CT1N36-5SC](#) [CT2-16S-17PS](#) [CT2-20-15PCAU](#)  
[CT2-24-12PS](#) [CT2-24-28PSF127A206](#) [CT6F9767-14-4-14S-5PC](#) [CT7-18-10SC](#) [CT7-18-10SCAU](#) [CT7-18-12SCAU](#) [CT7-18-1PC](#) [CT7-18-](#)  
[1PCAU](#) [CT7-18-1SC](#) [CT7-18-21SCAU](#) [CT9-16-12PS](#) [M83513/01-FC](#) [M83723/76W24619 L/C](#) [M85049/48-3-2F](#) [69001-865](#)  
[6STD09PCM99B70X](#) [6STD09SCM99B30X](#) [6STD09SCT99S40X](#) [6STD15PCT99S40X](#) [6STD15SCM99B30X](#) [6STD15SCT99S40X](#)  
[6STF09PCM05B70X](#)