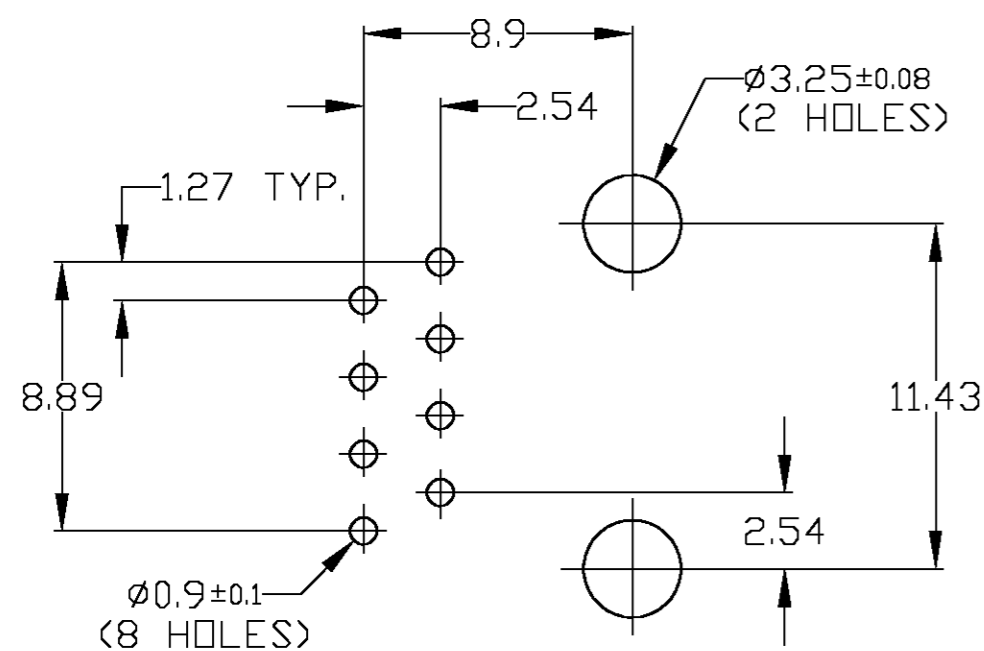
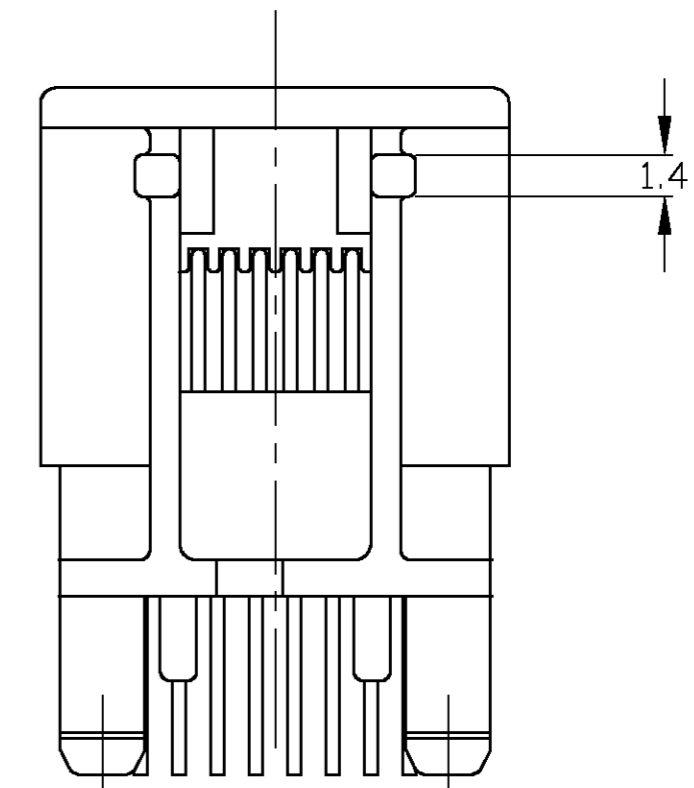
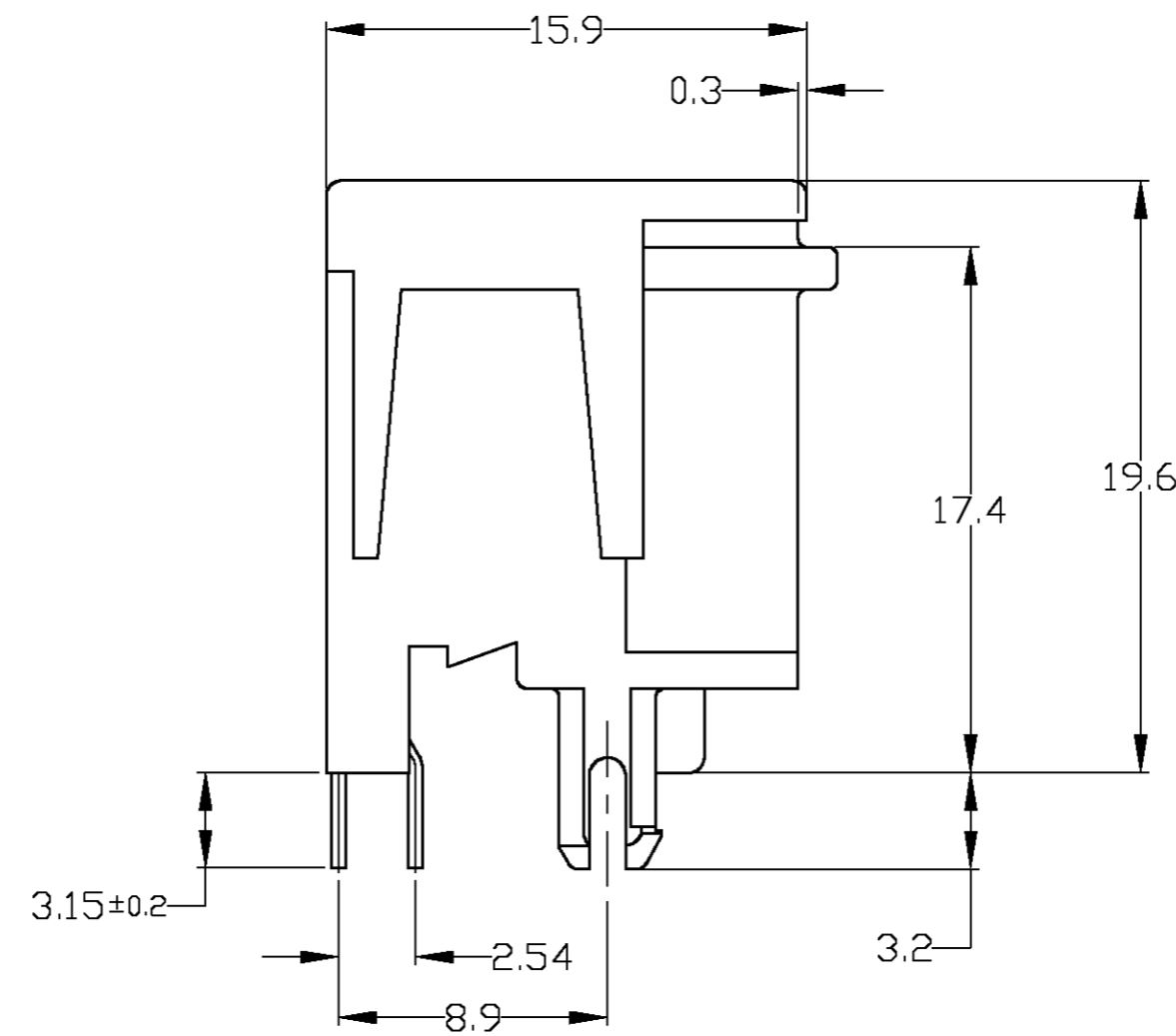
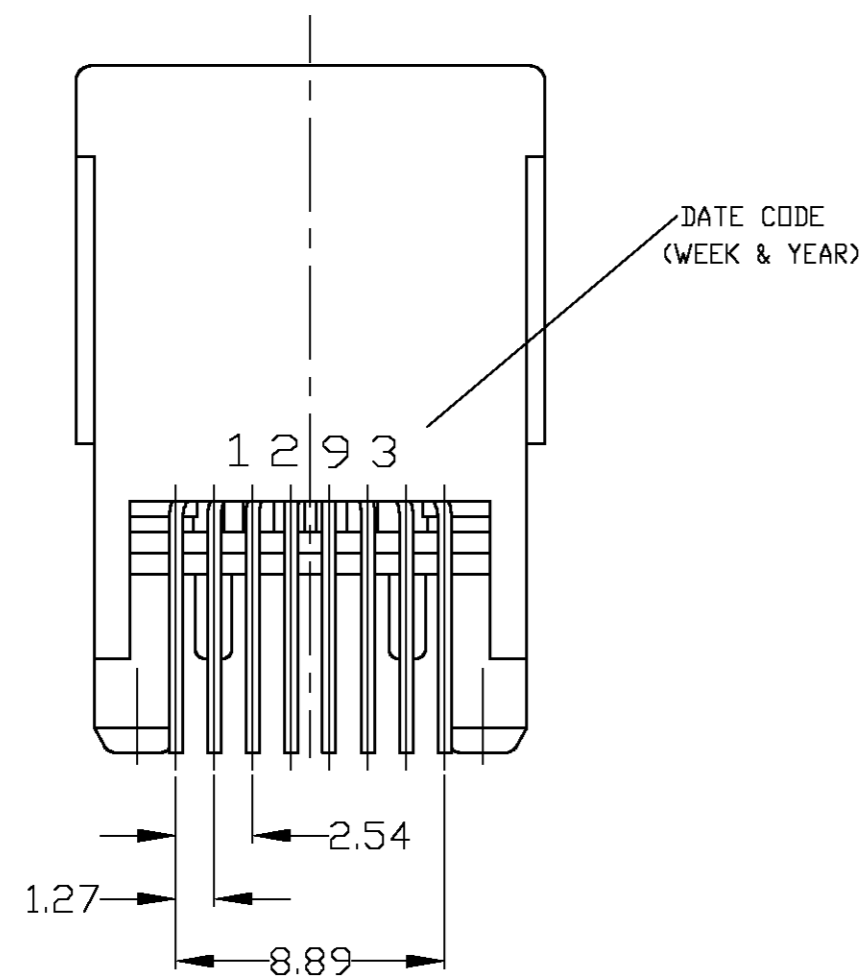


NOTES:

- 1 TOLERANCES UNLESS OTHERWISE SPECIFIED:  $\pm 0,15$ .
- 2 CONTACTS;  
1,27 $\mu$ m MIN. GOLD, SELECTIVE IN CONTACT AREA, OVER 1,27 $\mu$ m MIN. NICKEL.  
2,0  $\mu$ m MIN. TIN-LEAD OVER 1,27 $\mu$ m MIN. NICKEL ON SOLDER TINES.
- 3 HOUSING;  
PBT, COLOR BLACK, UL 94V-0  
CONTACTS;  
PHOSPHOR BRONZE.
- 4 FOR APPLICATION INFORMATION SEE AMP SPEC. 114-19019.
- 5 FOR PERFORMANCE REQUIREMENTS SEE AMP SPEC. 108-19064.
- 6 PACKAGING: BULK PACKAGED.  
TRUE POSITIONING OF THE SOLDER TINES,  
MAY BE AFFECTED BY BULK PACKAGING.

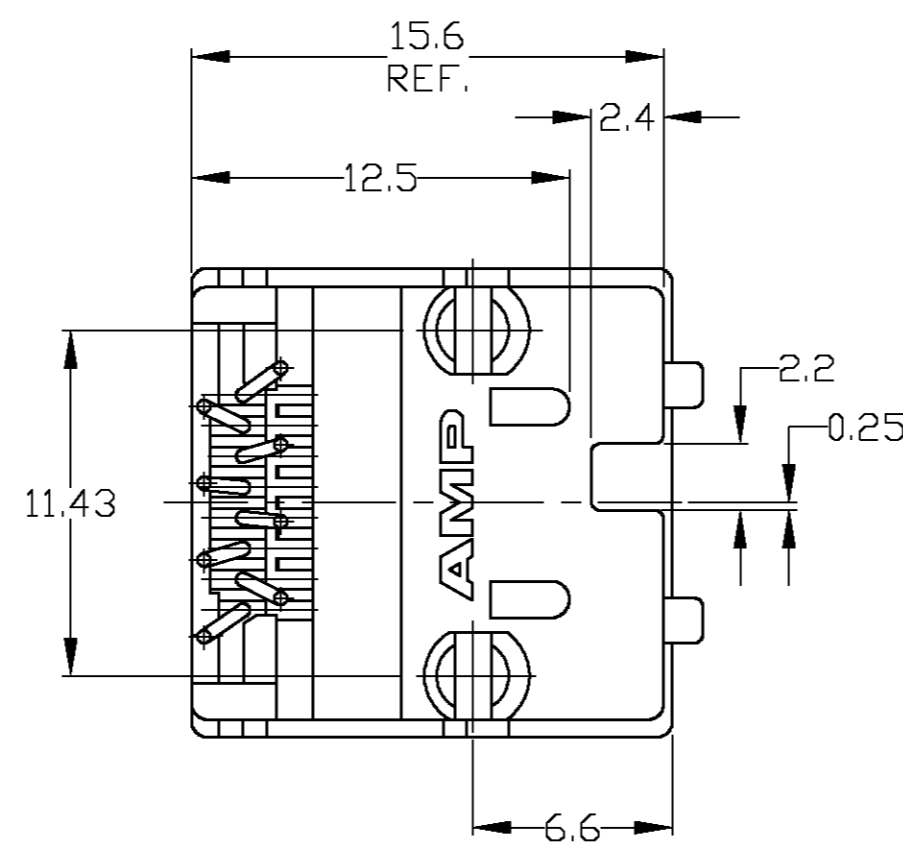


PRINTED CIRCUIT BOARD LAYOUT

[VIEW SHOWN IS CIRCUIT (NONCOMPONENT) SIDE OF BOARD.]

PRINTED CIRCUIT BOARD THICKNESS: 1,6 mm NOMINAL.

TOLERANCES UNLESS OTHERWISE SPECIFIED:  $\pm 0,05$ .



8 POS. / 8 CONT.				338360-1
DESCRIPTION	FINISH	MATERIAL		P/N
		CUSTOMER DRAWING FOR REFERENCE ONLY WILL NOT BE UPDATED		
		© COPYRIGHT 19 BY AMP HOLLAND B.V. ALL INTERNATIONAL RIGHTS RESERVED. AMP PRODUCTS MAY BE COVERED BY U.S. AND FOREIGN AND/OR PATENTS PENDING. THIS DRAWING IS UNPUBLISHED RELEASED FOR PUBLICATION		
B SR10-0084-02	KV	06 FEB 02	Tyco Electronics Corporation Oostkamp - BELGIUM	
A EH-1142-97	EVE	W.B.	18 NOV 97	NAME MODULAR JACK, 8 POS., TOP ENTRY HIGH PROFILE, WITH SPECIAL PANEL STOPS FOR PRINTED CIRCUIT BOARD
O EH-0870-97	EVE	W.B.	12 AUG 97	
LTR.	REVISION RECORD	DR.	CHK.	DATE
DR.: E.v.EJK	CHK.: W.BRUMMANS	APP.: R.SMEETS	DWG.No.	REV.LTR.
DATE: 12 AUG 97	DATE:	DATE:	C-338360	B
				SHEET 1 OF 1
				A2

## X-ON Electronics

Largest Supplier of Electrical and Electronic Components

*Click to view similar products for [TE Connectivity](#) manufacturer:*

Other Similar products are found below :

[D38999/24FJ4AN](#) [570416-000](#) [CLTEQ-M81CE-SSRELAY-4-20V](#) [4-1195131-0](#) [650069-000](#) [SMD100-2](#) [358838-000](#) [CB-1022B-78](#)  
[RM707012](#) [RP410012](#) [MMS42](#) [1-640426-8](#) [2EDL4CM](#) [DTS20W19-11PD-3028-LC](#) [RM202615](#) [NC6-P104-06](#) [MSPS103B](#) [DTS26F21-](#)  
[41HE-LC](#) [DTS26F21-41AE](#) [DTS26F21-41PE-LC](#) [DTS26F21-11SE-3028-LC](#) [30DCB6](#) [1932144-1](#) [293545-4](#) [LVR125S](#) [MS27466T25F4PB](#)  
[CKB-38-78010](#) [TR04AI-TINELLOCKRING](#) [1206SFF150F/63-2](#) [D38999/20JB35HA](#) [TE1500A2R2J](#) [D38999/20WC8BB](#) [DTS24F19-11SC-](#)  
[3028-LC](#) [D38999/24WG11HA](#) [D38999/24WG11HN](#) [MS27467T21F11H](#) [DJT16E21-11HA](#) [MS27467T21F35J](#) [MS27467T21F11J](#)  
[MS27467T21F16H-LC](#) [MS27467T21F35H](#) [MS27467T21F41H-LC](#) [1206SFH150F/24-2](#) [RP330024](#) [DJT16E21-11PA-LC](#) [DJT16E21-11HA-](#)  
[LC](#) [DJT16E21-11AA](#) [MS27467T21B11JA](#) [DJT16E21-11JA](#) [MS27467T21B11JA-LC](#)