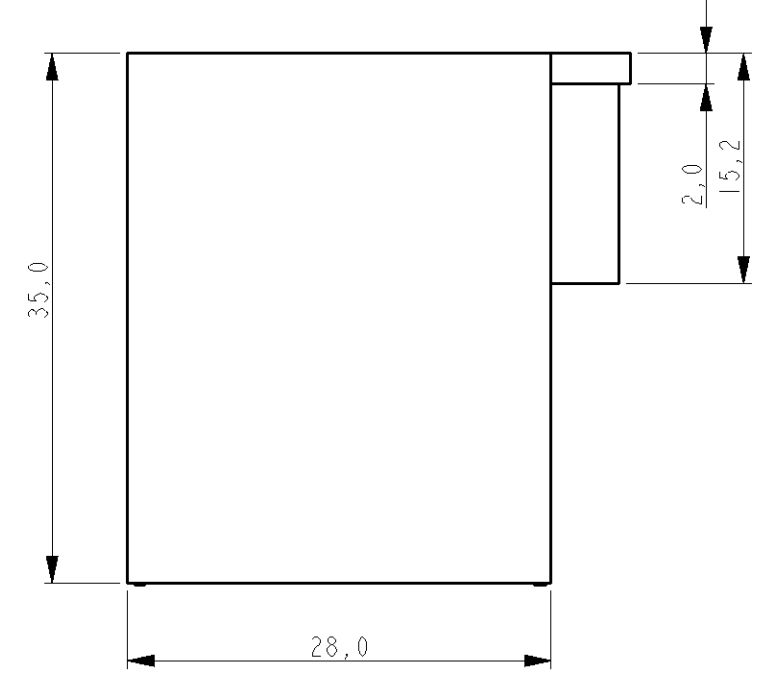
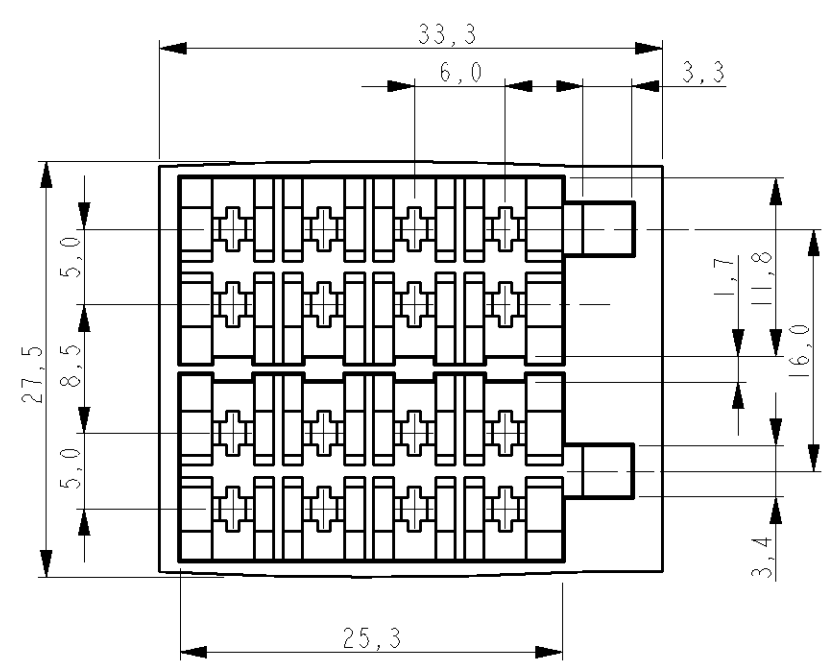
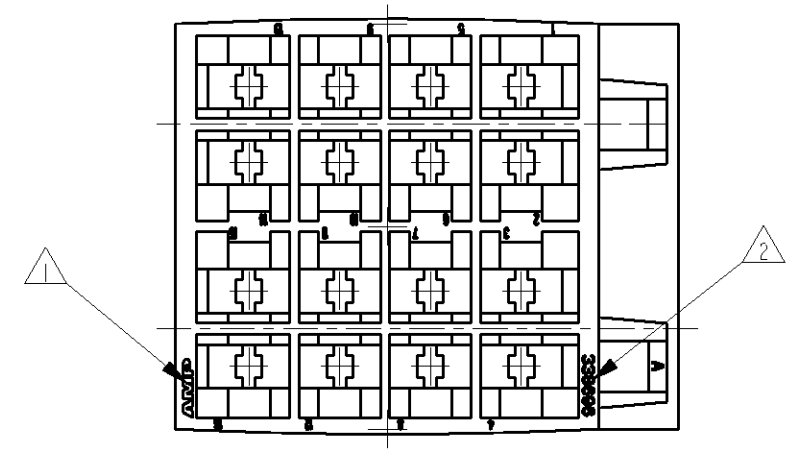
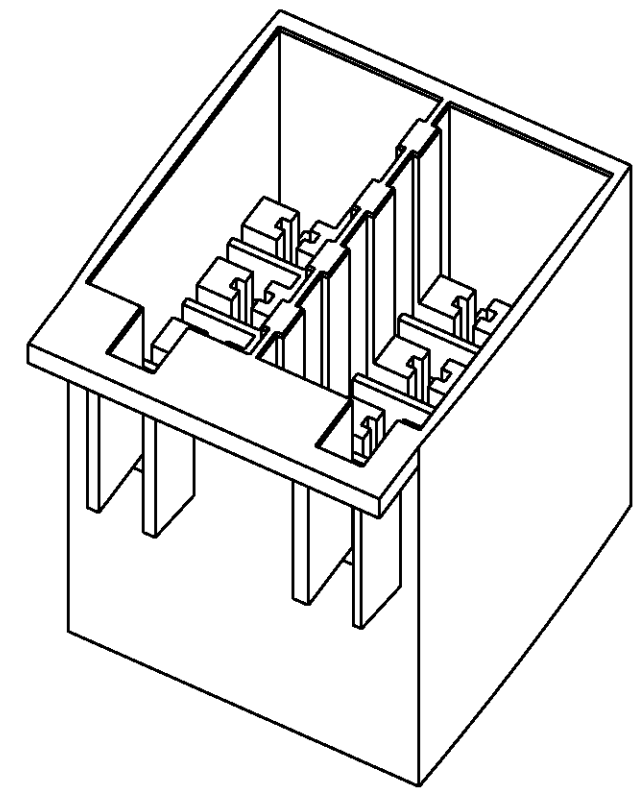
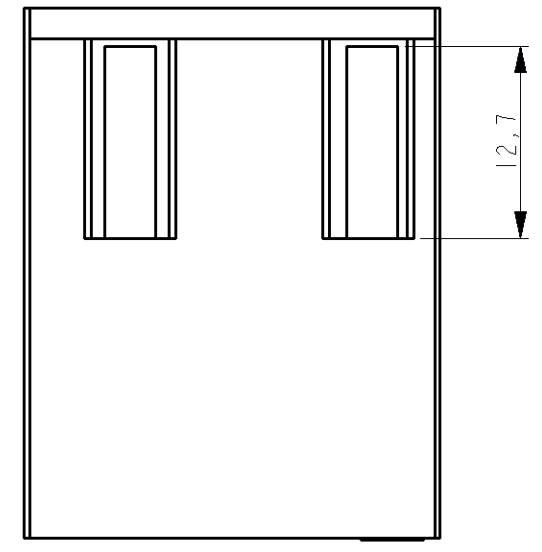


THIS DRAWING IS UNPUBLISHED. RELEASED FOR PUBLICATION
 © COPYRIGHT - BY TYCO ELECTRONICS CORPORATION. ALL RIGHTS RESERVED.

LOC	DIST	REVISIONS					
H	-	P	LTR	DESCRIPTION	DATE	DWN	APVD
			A	EH00-0386-00	31MAR2000	DH	EL
			B	ECR-09-021799	05OCT2009	DC	TdB



NOTES:
 1 AMP Trademark
 2 AMP Partnumber identification
 3 Applicable contacts:
 - p.n. 927892-1
 - p.n. 927893-1



THIS DRAWING IS A CONTROLLED DOCUMENT FOR TYCO ELECTRONICS CORPORATION
 IT IS SUBJECT TO CHANGE AND THE CONTROLLING ENGINEERING ORGANIZATION
 SHOULD BE CONTACTED FOR THE LATEST REVISION.

DIMENSIONS: mm		TOLERANCES UNLESS OTHERWISE SPECIFIED:	
		0 PLC	±0,2
		1 PLC	±0,1
		2 PLC	±0,05
		3 PLC	±0,025
		4 PLC	±0,01
MATERIAL		FINISH	
		±0°30'	

1	2 x 8 POS ISO TAB HOUSING	PBT-GF30 BLACK	338696-1
ITEM NO.	DESCRIPTION	MATERIAL	PARTNUMBER
DWN	D. Halberstadt	Tyco Electronics Corporation 's-Hertogenbosch, Nederland	
CHK	-	NAME	
APVD	-	2x8 pos 2,8mm FASTIN-FASTON ISO TAB HOUSING	
PRODUCT SPEC	-	-	
APPLICATION SPEC	-	-	
WEIGHT	-	SIZE	RESTRICTED TO
		A3	-
CUSTOMER DRAWING		CAGE CODE	DRAWING NO
		00779	338696
		SCALE	SHEET OF REV
		2:1	1 OF 1 B

X-ON Electronics

Largest Supplier of Electrical and Electronic Components

Click to view similar products for [Terminals](#) category:

Click to view products by [TE Connectivity](#) manufacturer:

Other Similar products are found below :

[00-054007-01074-6](#) [00-054007-70206-1](#) [00-054007-70210-8](#) [00-054007-70217-7](#) [00-054007-70226-9](#) [00-054007-70228-3](#) [00-054007-70248-1](#) [00-054007-70256-6](#) [00-054007-70301-3](#) [00-054007-70316-7](#) [00-054007-49560-4](#) [00-054007-70209-2](#) [00-054007-70225-2](#) [00-054007-70227-6](#) [00-054007-70231-3](#) [00-054007-70241-2](#) [00-054007-70242-9](#) [00-054007-70244-3](#) [00-054007-70246-7](#) [00-054007-70263-4](#) [00-054007-70288-7](#) [00-054007-70290-0](#) [00-054007-70300-6](#) [00-054007-70304-4](#) [01-2065-1-0216](#) [01-2900-1-04412](#) [00581P0075](#) [600TS-10](#) [60205-1](#) [604200-1](#) [605601-1](#) [60598-1-CUT-TAPE](#) [61314-6-C](#) [61810-3](#) [61-S](#) [61-SN](#) [626-0194](#) [62-NBM-A](#) [62-SN](#) [62-SP](#) [63-S](#) [640179-1](#) [M55155/059I03](#) [M55155/079C01](#) [M55155/099H02](#) [M55155/109H01](#) [M55155/109H02](#) [M55155/12XH05](#) [M55155/16XH02](#) [M55155/29-5S](#)