



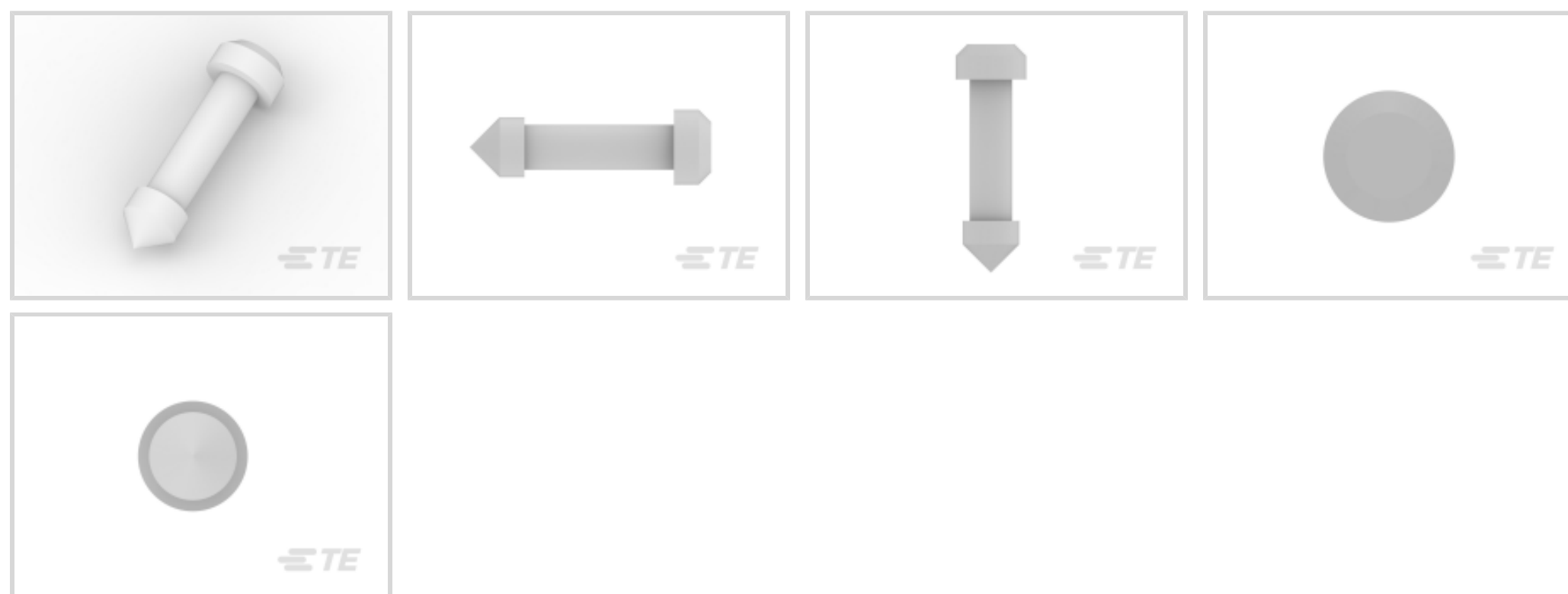
SUPERSEAL 1.0mm

TE Internal #: 4-1437284-3

SUPERSEAL 1.0mm, Automotive Seals & Cavity Plugs, Polyacetal, Natural, Operating Temperature Range -40 – 125 °C [-40 – 257 °F]

[View on TE.com >](#)

Connectors > Automotive Connectors > Seals & Cavity Plugs



Seal Material: **Polyacetal**

Operating Temperature (Max): 65 °C, 70 °C, 75 °C, 80 °C, 85 °C, 90 °C, 100 °C, 105 °C, 110 °C, 120 °C, 125 °C [149 °F, 158 °F, 167 °F, 176 °F, 185 °F, 194 °F, 212 °F, 221 °F, 230 °F, 248 °F, 257 °F]

Contains Lubricant: **No**

Primary Product Color: **Natural**

Operating Temperature Range: -40 – 125 °C, -40 – 125 °C [-40 – 257 °F, -40 – 257 °F]

Features

Body Features

Seal Material	Polyacetal
Primary Product Color	Natural

Usage Conditions

Operating Temperature (Max)	65 °C, 70 °C, 75 °C, 80 °C, 85 °C, 90 °C, 100 °C, 105 °C, 110 °C, 120 °C, 125 °C [149 °F] [158 °F][167 °F][176 °F][185 °F][194 °F][212 °F][221 °F][230 °F][248 °F][257 °F]
Operating Temperature Range	-40 – 125 °C, -40 – 125 °C [-40 – 257 °F][-40 – 257 °F]

Packaging Features

Packaging Method	Bag
Packaging Quantity	1000

Other

Contains Lubricant	No
--------------------	----

Product Compliance

[For compliance documentation, visit the product page on TE.com>](#)

EU RoHS Directive 2011/65/EU	Compliant
EU ELV Directive 2000/53/EC	Compliant
China RoHS 2 Directive MIIT Order No 32, 2016	No Restricted Materials Above Threshold
EU REACH Regulation (EC) No. 1907/2006	Current ECHA Candidate List: JUN 2020 (209) Candidate List Declared Against: JUN 2020 (209) Does not contain REACH SVHC
Halogen Content	Low Halogen - Br, Cl, F, I < 900 ppm per homogenous material. Also BFR/CFR/PVC Free
Solder Process Capability	Not reviewed for solder process capability

Product Compliance Disclaimer

This information is provided based on reasonable inquiry of our suppliers and represents our current actual knowledge based on the information they provided. This information is subject to change. The part numbers that TE has identified as EU RoHS compliant have a maximum concentration of 0.1% by weight in homogenous materials for lead, hexavalent chromium, mercury, PBB, PBDE, DBP, BBP, DEHP, DIBP, and 0.01% for cadmium, or qualify for an exemption to these limits as defined in the Annexes of Directive 2011/65/EU (RoHS2). Finished electrical and electronic equipment products will be CE marked as required by Directive 2011/65/EU. Components may not be CE marked. Additionally, the part numbers that TE has identified as EU ELV compliant have a maximum concentration of 0.1% by weight in homogenous materials for lead, hexavalent chromium, and mercury, and 0.01% for cadmium, or qualify for an exemption to these limits as defined in the Annexes of Directive 2000/53/EC (ELV). Regarding the REACH Regulation, the information TE provides on SVHC in articles for this part number is based on the latest European Chemicals Agency (ECHA) 'Guidance on requirements for substances in articles' posted at this URL: <https://echa.europa.eu/guidance-documents/guidance-on-reach>

Compatible Parts



Also in the Series | **SUPERSEAL 1.0mm**



Automotive Headers(24)



Automotive Housings(11)

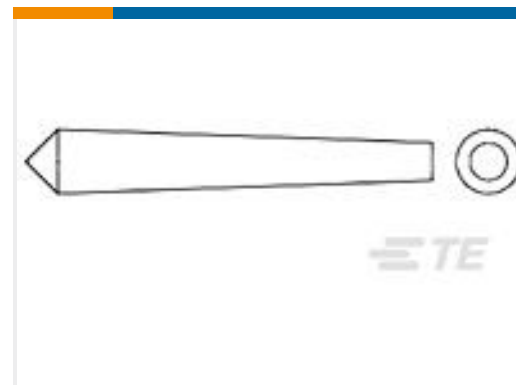


Automotive Seals & Cavity Plugs(1)



Automotive Terminals(5)

Customers Also Bought

TE Model / Part #4-1437290-0
SUPERSEAL 1.0 HOUSINGSTE Model / Part #3-1447221-3
SUPERSEAL 1.0 CONTACTSTE Model / Part #770678-1
SEAL PLUG, AMPSEALTE Model / Part #964972-1
EINZELLEITERDICHTUNGTE Model / Part #963531-1
BLINDSTOPFENTE Model / Part #1418882-1
LEAVYSEAL BACKSHELLSTE Model / Part #1-968855-1
AMP MCP, RECEPTACLE AND TAB

Documents

Product Drawings

CVTY PLUG,SUPERSEAL,CVTY DIA,2.4

Japanese

CAD Files

3D PDF

3D

Customer View Model

[ENG_CVM_CVM_4-1437284-3_A_c-4-1437284-3-a.2d_dxf.zip](#)

English

Customer View Model

[ENG_CVM_CVM_4-1437284-3_A_c-4-1437284-3-a.3d_igs.zip](#)

English

Customer View Model

[ENG_CVM_CVM_4-1437284-3_A_c-4-1437284-3-a.3d_stp.zip](#)

English

By downloading the CAD file I accept and agree to the [Terms and Conditions](#) of use.



Datasheets & Catalog Pages

[ICT Terminals and Connectors Catalogue](#)

English

[CONNECTOR SELECTOR](#)

English

Product Specifications

[SUPER SEAL CONNECTOR 44POS PLUG HOUSING CONNECTOR](#)

English

[SUPER SEAL CONNECTOR 44POS PLUG HOUSING CONNECTOR](#)

English

[Product Specification](#)

English

[WATER-SEALED ECU CONNECTOR](#)

English

[SUPER SEAL CONNECTOR 44POS PLUG HOUSING CONNECTOR](#)

Japanese

[SUPER SEAL CONNECTOR 44POS PLUG HOUSING CONNECTOR](#)

Japanese

[SUPER SEAL CONNECTOR 2ROW 26P](#)

Japanese

[SUPER SEAL CONNECTOR 2ROW 26P](#)

Japanese

[Product Specification](#)

Japanese

[WATER-SEALED ECU CONNECTOR](#)

Japanese

[Product Specification](#)

Japanese

[SUPER SEAL CONNECTOR 2ROW 26P](#)

Japanese

Product Environmental Compliance

[MD_4-1437284-3_05032018323_dmtec](#)

English

[MD_4-1437284-3_05032018323_dmtec](#)

English

X-ON Electronics

Largest Supplier of Electrical and Electronic Components

Click to view similar products for [Automotive Connectors](#) category:

Click to view products by [TE Connectivity](#) manufacturer:

Other Similar products are found below :

[003-018-000](#) [60403001](#) [60993906-B](#) [M902-2131](#) [M902-2161](#) [M902-2344](#) [72.330.1035.1](#) [73.353.4028.0](#) [F119300-B](#) [F166900](#) [F258300-B](#)
[F358300-B](#) [F407400](#) [F444110](#) [F487000](#) [F509500B-B](#) [827153-1](#) [8N1515-32-24P](#) [9-1326729-8](#) [925474-1](#) [928905-1](#) [964562-4](#) [968782-1](#)
[GT17SA-8DS-HU](#) [98891-1012](#) [98947-1016](#) [12004147](#) [12004475-L](#) [12010290](#) [12010309-B](#) [12015454](#) [12020219-B](#) [12041318-B](#) [12052225-](#)
[L](#) [12052466](#) [12064869](#) [12004327-B](#) [12015308](#) [12015384](#) [12015909](#) [1-21030-1](#) [12041254](#) [12041318](#) [12047946-B](#) [12047957](#) [12047957-L](#)
[12059473](#) [12066261](#) [12110546](#) [12110546-B](#)