

4

3

2

1

THIS DRAWING IS UNPUBLISHED.

RELEASED FOR PUBLICATION

20

© COPYRIGHT 2010

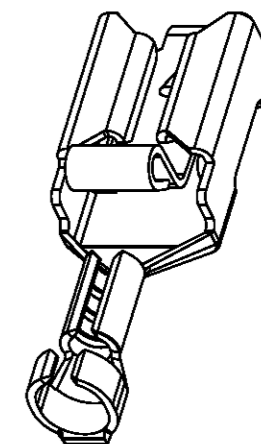
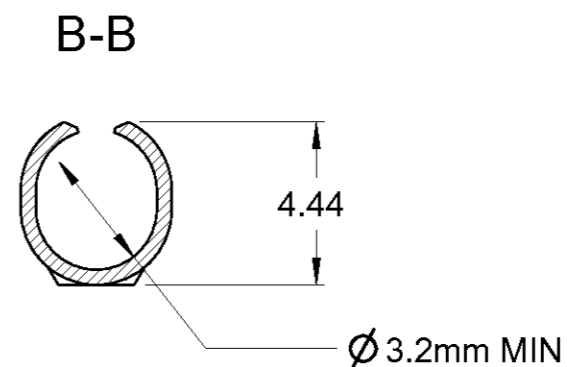
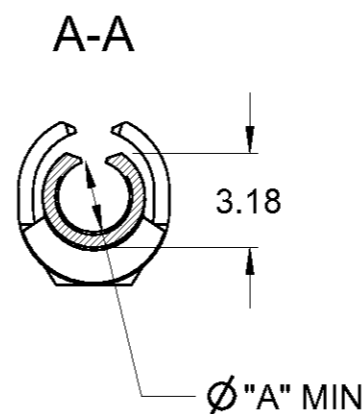
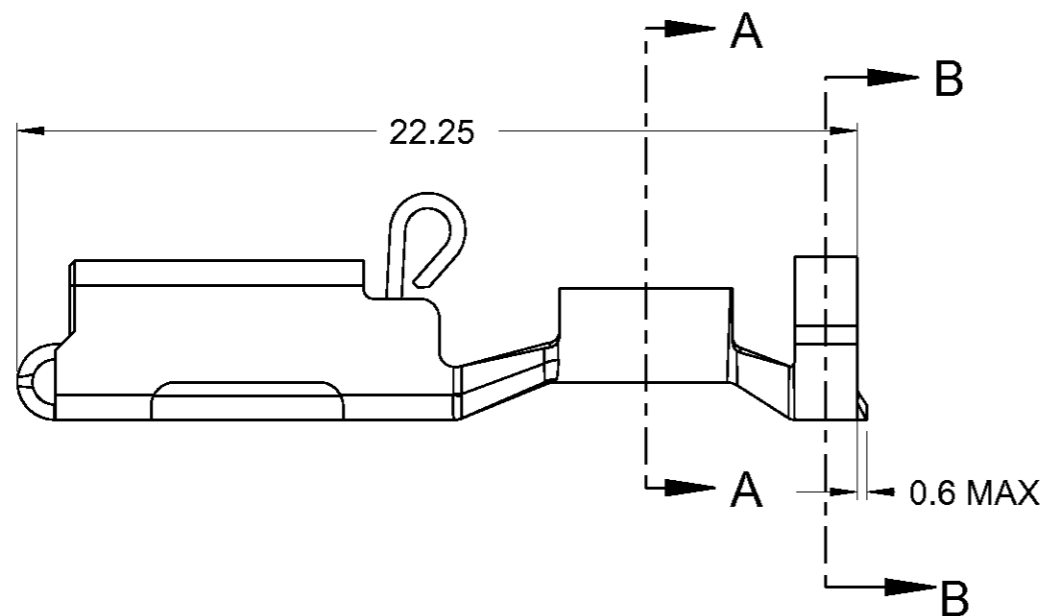
BY TYCO ELECTRONICS CORPORATION.

ALL INTERNATIONAL RIGHTS RESERVED.

LOC B DIST E

REVISIONS

P	LTR	DESCRIPTION	DATE	DWN	APVD
	A	ECR-09-021480	29/09/09	MJG	JA
	B	ECR-10-006691	05/01/10	MJG	JA
	B1	ECR-10-022530	27MAY11	KK	HMR



NOTES

1. ALL OTHER DIMENSIONS FROM DWG 154718
2. WIRE SIZE: 0.7 - 2.0mm<sup>2</sup>
3. INSULATION RANGE:  $\phi$  2.4 - 3.2mm
4. RECOMMENDED HAND TOOL: 525651
5. CONTACT TO BE USED WITH A 0.8mm THICK TAB

△ PART TO CONFORM TO KTU 1177

OBSOLETE

2.16	NONE	BRASS	341002-8 <sup>△6</sup>
1.9	PRE-TIN	Ph Bz	341002-7
1.9	PRE-TIN	BRASS	341002-6
1.9	NONE	Ph Bz	341002-5
1.9	TIN	BRASS	341002-3
1.9	NONE	Ph Bz	<del>341002-2</del>
1.9	NONE	BRASS	341002-1
$\phi$ "A" mm	FINISH	MATERIAL	PART NO

THIS DRAWING IS A CONTROLLED DOCUMENT FOR TYCO ELECTRONICS CORPORATION. IT IS SUBJECT TO CHANGE AND THE CONTROLLING ENGINEERING ORGANIZATION SHOULD BE CONTACTED FOR THE LATEST REVISION.

DIMENSIONS:	TOLERANCES UNLESS OTHERWISE SPECIFIED:
mm	
	0 PLC ±0.5
	1 PLC ±0.2
	2 PLC ±0.2
	3 PLC ±0.1
	4 PLC ±-
	ANGLES ±2
MATERIAL	FINISH -
SEE TABLE	

DWN	29SEP2009
M.GREENER	
CHK	29SEP2009
J.AMBROSE	
APVD	29SEP2009
J.AMBROSE	
PRODUCT SPEC	108-3017
APPLICATION SPEC	114-2153
WEIGHT	-
CUSTOMER DRAWING	



NAME			
POSITIVE LOCK RECEPTACLE PRE-FORMED LOOSE PIECE			
SIZE	CAGE CODE	DRAWING NO	RESTRICTED TO
A3	00779	C-341002	-
SCALE	SHEET	OF	REV
NTS	1	1	B1

## X-ON Electronics

Largest Supplier of Electrical and Electronic Components

*Click to view similar products for [Automotive Connectors](#) category:*

*Click to view products by [TE Connectivity](#) manufacturer:*

Other Similar products are found below :

[003-018-000](#) [600858](#) [60403001](#) [60993906-B](#) [60993913-B](#) [629515004020001](#) [M902-2131](#) [M902-2161](#) [M902-2344](#) [72.330.1035.1](#)  
[73.353.4028.0](#) [F118010](#) [F119300-B](#) [F132210](#) [F132210-B](#) [F166900](#) [F180100](#) [F258300](#) [F258300-B](#) [F294300-B](#) [F339100](#) [F339700](#) [F358300-](#)  
[B](#) [F374110](#) [F407400](#) [F412210](#) [F427600](#) [F444110](#) [F487000](#) [F495100-B](#) [F500900-B](#) [F509500B-B](#) [770444-1](#) [776880-1](#) [827153-1](#) [881735-1](#)  
[8N1515-32-24P](#) [9-1326727-8](#) [9-1326729-8](#) [925467-1](#) [925474-1](#) [928905-1](#) [936398-2](#) [964562-1](#) [964562-4](#) [964731-2](#) [965051-1](#) [968782-1](#)  
[GT17SA-8DS-HU](#) [GT17VS-10DP-5.2CF](#)