

4

3

2

1

THIS DRAWING IS UNPUBLISHED.

RELEASED FOR PUBLICATION

20

© COPYRIGHT 2010

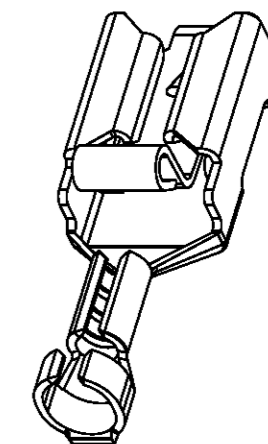
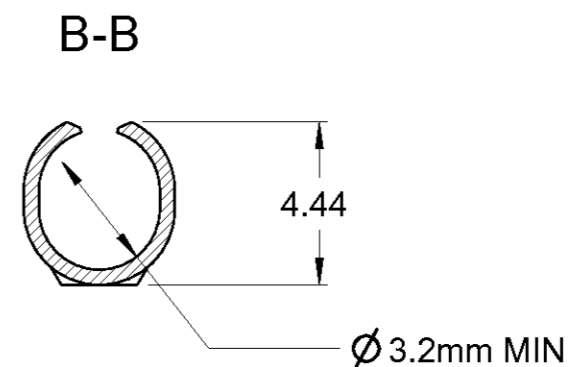
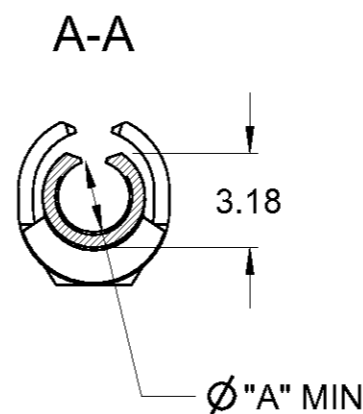
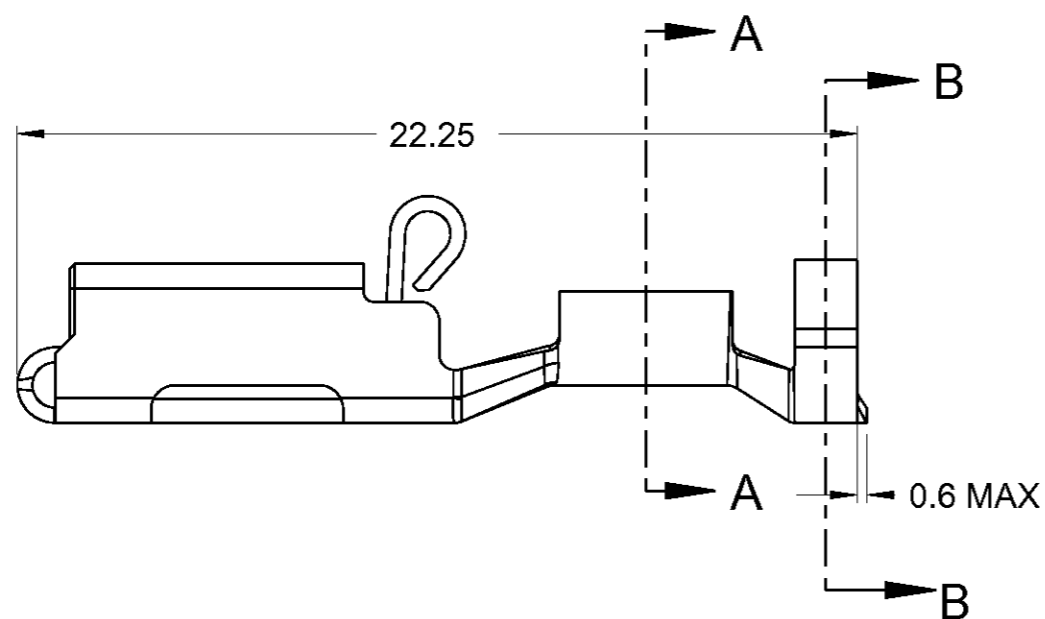
BY TYCO ELECTRONICS CORPORATION.

ALL INTERNATIONAL RIGHTS RESERVED.

LOC B DIST E

REVISIONS

P	LTR	DESCRIPTION	DATE	DWN	APVD
	A	ECR-09-021480	29/09/09	MJG	JA
	B	ECR-10-006691	05/01/10	MJG	JA
	B1	ECR-10-022530	27MAY11	KK	HMR



NOTES

1. ALL OTHER DIMENSIONS FROM DWG 154718
2. WIRE SIZE: 0.7 - 2.0mm²
3. INSULATION RANGE: ϕ 2.4 - 3.2mm
4. RECOMMENDED HAND TOOL: 525651
5. CONTACT TO BE USED WITH A 0.8mm THICK TAB

6 PART TO CONFORM TO KTU 1177

OBSOLETE

2.16	NONE	BRASS	341002-8 ⁶
1.9	PRE-TIN	Ph Bz	341002-7
1.9	PRE-TIN	BRASS	341002-6
1.9	NONE	Ph Bz	341002-5
1.9	TIN	BRASS	341002-3
1.9	NONE	Ph Bz	341002-2
1.9	NONE	BRASS	341002-1
ϕ "A" mm	FINISH	MATERIAL	PART NO

THIS DRAWING IS A CONTROLLED DOCUMENT FOR TYCO ELECTRONICS CORPORATION. IT IS SUBJECT TO CHANGE AND THE CONTROLLING ENGINEERING ORGANIZATION SHOULD BE CONTACTED FOR THE LATEST REVISION.

DIMENSIONS:	TOLERANCES UNLESS OTHERWISE SPECIFIED:
mm	
	0 PLC ±0.5
	1 PLC ±0.2
	2 PLC ±0.2
	3 PLC ±0.1
	4 PLC ±-
	ANGLES ±2
MATERIAL	FINISH -
SEE TABLE	

DWN	29SEP2009
M.GREENER	
CHK	29SEP2009
J.AMBROSE	
APVD	29SEP2009
J.AMBROSE	
PRODUCT SPEC	108-3017
APPLICATION SPEC	114-2153
WEIGHT	-
CUSTOMER DRAWING	

		TE Connectivity	
NAME			
POSITIVE LOCK RECEPTACLE PRE-FORMED LOOSE PIECE			
SIZE	CAGE CODE	DRAWING NO	RESTRICTED TO
A3	00779	C-341002	-
SCALE		SHEET	REV
NTS		1 OF 1	B1

X-ON Electronics

Largest Supplier of Electrical and Electronic Components

Click to view similar products for [Terminals](#) category:

Click to view products by [TE Connectivity](#) manufacturer:

Other Similar products are found below :

[00-054007-01074-6](#) [00-054007-70206-1](#) [00-054007-70210-8](#) [00-054007-70217-7](#) [00-054007-70226-9](#) [00-054007-70228-3](#) [00-054007-70248-1](#) [00-054007-70256-6](#) [00-054007-70301-3](#) [00-054007-70316-7](#) [00-054007-49560-4](#) [00-054007-70209-2](#) [00-054007-70225-2](#) [00-054007-70227-6](#) [00-054007-70231-3](#) [00-054007-70241-2](#) [00-054007-70242-9](#) [00-054007-70244-3](#) [00-054007-70246-7](#) [00-054007-70263-4](#) [00-054007-70288-7](#) [00-054007-70290-0](#) [00-054007-70300-6](#) [00-054007-70304-4](#) [01-2065-1-0216](#) [01-2900-1-04412](#) [00581P0075](#) [600TS-10](#) [60205-1](#) [604200-1](#) [605601-1](#) [60598-1-CUT-TAPE](#) [61314-6-C](#) [61810-3](#) [61-S](#) [61-SN](#) [626-0194](#) [62-NBM-A](#) [62-SN](#) [62-SP](#) [63-S](#) [640179-1](#) [M55155/059I03](#) [M55155/079C01](#) [M55155/099H02](#) [M55155/109H01](#) [M55155/109H02](#) [M55155/12XH05](#) [M55155/16XH02](#) [M55155/29-5S](#)