

DRAWING MADE IN AMERICAN PROJECTION

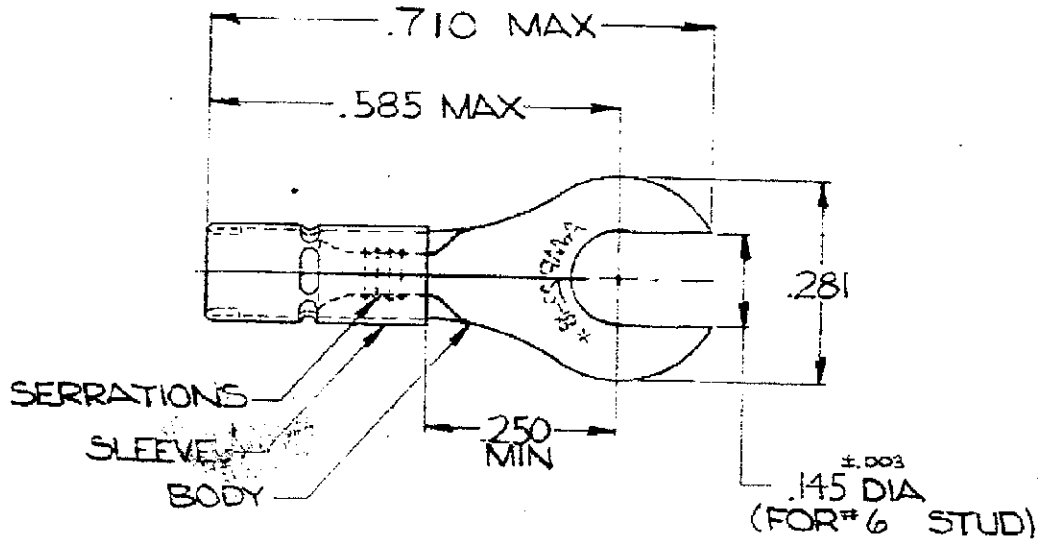
LOC **G** PRINT DIST **14 C**

©1947 BY AMP INCORPORATED. ALL RIGHTS RESERVED. AMP PRODUCTS COVERED BY PATENTS AND/OR PATENTS PENDING.

REVISIONS

LTR	DESCRIPTION	DATE	APPROVED
A	REDRAWN & UPDATED PC-5558	10-3-69	JM
B	REV. & ADDED TAPE NO.	5-11-71	FEY
C	INACTIVATED 2-1 P-9241	11-30-81	JFM
C1	REV PER ECR 06-024909	10/26/06	JR/TM

34101



TONGUE MATERIAL THICKNESS = $\pm .002$.031
 FOR .080 TO .125 WIRE INSULATION DIA
 MARKING 22-18 FOR MILITARY
 COMMERCIAL RANGE 22-16

34101	2-34101-1
PART NO.	PART NO. ON TAPE

UNLESS OTHERWISE SPECIFIED DIMENSIONS ARE IN INCHES
 TOLERANCES ON:
 DECIMALS ± .008
 ANGLES ± 5°

MATERIAL
 COPPER (QQ-C-576)
 TIN PL (L-T-10727)

CONTRACT NO. #

DR. *H. Benoit 9/2/69*

CHK. *JM Eversman 10-5-69*

APPD. *Swabel 10-6-69*

REC. *JM Eversman 10-6-69*

DSGN APPD.

OTHER APPD.

AMP AMP INCORPORATED
 HARRISBURG, PENNSYLVANIA

NAME
 WIRE TERMINAL
 DIAMOND GRIP-SLOTTED RING TONGUE
 WIRE SIZE: 22-16

SIZE	CODE IDENT NO.	NUMBER
A	00779	34101

SCALE NTS SHEET 1 OF 1

X-ON Electronics

Largest Supplier of Electrical and Electronic Components

Click to view similar products for [Terminals](#) category:

Click to view products by [TE Connectivity](#) manufacturer:

Other Similar products are found below :

[00-054007-01074-6](#) [00-054007-70206-1](#) [00-054007-70210-8](#) [00-054007-70217-7](#) [00-054007-70226-9](#) [00-054007-70228-3](#) [00-054007-70248-1](#) [00-054007-70256-6](#) [00-054007-70301-3](#) [00-054007-70316-7](#) [00-054007-49560-4](#) [00-054007-70209-2](#) [00-054007-70225-2](#) [00-054007-70227-6](#) [00-054007-70231-3](#) [00-054007-70241-2](#) [00-054007-70242-9](#) [00-054007-70244-3](#) [00-054007-70246-7](#) [00-054007-70263-4](#) [00-054007-70288-7](#) [00-054007-70290-0](#) [00-054007-70300-6](#) [00-054007-70304-4](#) [01-2065-1-0216](#) [01-2900-1-04412](#) [00581P0075](#) [600TS-10](#) [60205-1](#) [604200-1](#) [605601-1](#) [60598-1-CUT-TAPE](#) [61314-6-C](#) [61810-3](#) [61-S](#) [61-SN](#) [626-0194](#) [62-NBM-A](#) [62-SN](#) [62-SP](#) [63-S](#) [640179-1](#) [M55155/059I03](#) [M55155/079C01](#) [M55155/099H02](#) [M55155/109H01](#) [M55155/109H02](#) [M55155/12XH05](#) [M55155/16XH02](#) [M55155/29-5S](#)