

THIS DRAWING IS UNPUBLISHED. RELEASED FOR PUBLICATION  
 © COPYRIGHT - By - ALL RIGHTS RESERVED.

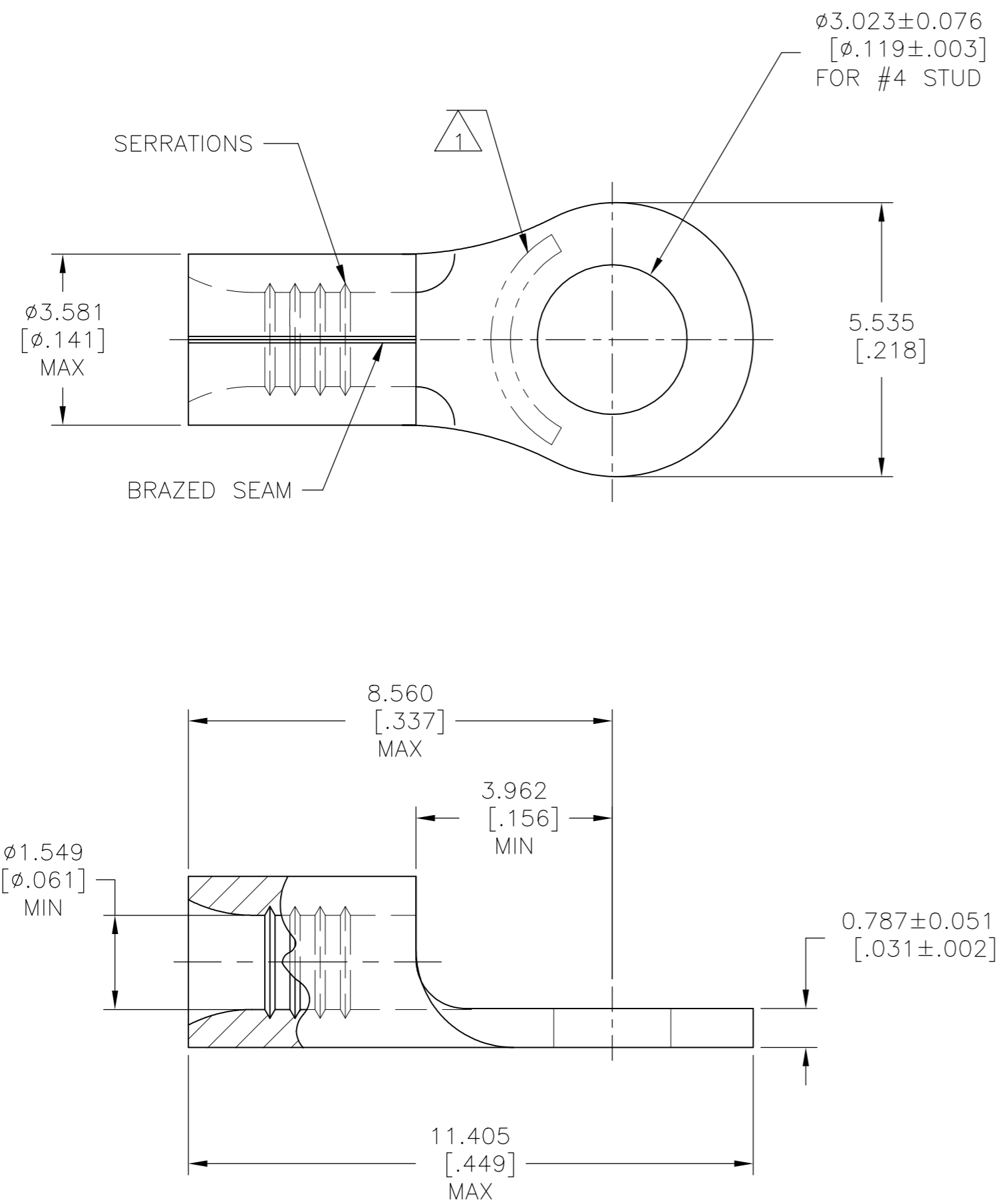
REVISIONS					
P	LTR	DESCRIPTION	DATE	DWN	APVD
N1		REVISED PER ECO-13-018569	28NOV2013	KH	DR
N2		REVISED PER ECO-17-008806	15FEB2018	RS	DR

D

C

B

A



**AMP**  
WIRE RANGE

22-16 AWG  
SOLID OR STRANDED

- 1 STAMP AMP 22-18\* APPROX AS SHOWN  
22-16 TERMINALS ARE STAMPED 22-18 IN ACCORDANCE WITH MILITARY SPECIFICATION SAE AS7928; COMMERCIAL WIRE RANGE IS 22-16
- 2 TIN PLATE 0.00254 [.000100] MIN EXT THK PER ASTM-B-545.
- 3 TIN LEAD PLATE 0.01016-0.02032[.000400-.000800] MIN EXT THK PER MIL-P-81728
- 4 GOLD PLATE, 0.00254[.000100] MIN EXT THK PER ASTM B488 TYPE 1, CODE C OVER NICKEL PLATE 0.00127[.000050] MIN EXT THK PER SAE AMS QQ-N-290. OVER Cu FLASH PER SAE AMS 2418.
- 5 NOTE DELETED
- 6 .000300 MIN EXT THK NICKEL PER SAE AMS QQ-N-290
- 7 COPPER PER ASTM B-152, ANNEALED
- 8 UL LISTED E13288, 22-16 AWG SOLID OR STRANDED.
- 9 CSA CERTIFIED LR7189, 22-16 AWG SOLID OR STRANDED
- 10 MILITARY P/N AND CLASS: M7928/7-2 CLASS 2
- 11 NOTE DELETED
- 12 NOTE DELETED
- 13 UL 486 A-B OR SAE AS7928

170°C[338°F]	2	100	LOOSE PIECE, BOX	8-34104-1
170°C[338°F]	2	5000	34104 ON TAPE	2-34104-6
343°C[649°F]	6	1000	LOOSE PIECE	34104-6
260°C[500°F]	4	1000	LOOSE PIECE	34104-4
170°C[338°F]	3	1000	LOOSE PIECE	34104-2
170°C[338°F]	2	1000	LOOSE PIECE	34104
MAX TEMP	FINISH	QTY	PACKAGE TYPE	PART NO.

<b>AMP INCORPORATED</b>		MAX RECOMMENDED OPERATING TEMPERATURE: SEE TABLE
<b>CUSTOMER SERVICE SYSTEMS</b>		
FOR ADDITIONAL PRODUCT INFORMATION OR COPIES OF DRAWINGS AND TECHNICAL DOCUMENTS	PRODUCT INFORMATION CENTER 1-800-522-6752	VOLTAGE RATING: N/A
FOR APPLICATION TOOLING INFORMATION	TOOLING ASSISTANCE CENTER 1-800-722-1111	CIRCULAR MIL AREA: 0.26-1.65mm² [509-3260] SOLID OR STRANDED
FOR ORDER ENTRY	1-800-526-5142	THIS DRAWING IS A CONTROLLED DOCUMENT FOR AMP INCORPORATED. IT IS SUBJECT TO CHANGE AND THE CONTROLLING ENGINEERING ORGANIZATION SHOULD BE CONTACTED FOR THE LATEST REVISION.

THIS DRAWING IS A CONTROLLED DOCUMENT.		DWN TA BRINKMAN 3-10-93	<b>STE</b> TE Connectivity Ltd.	
DIMENSIONS: mm [INCHES]		CHK DA PATTERSON 3-10-93		
TOLERANCES UNLESS OTHERWISE SPECIFIED:		APVD JL MECKLEY 3-10-93	NAME	
0 PLC ± -		PRODUCT SPEC		
1 PLC ± -		APPLICATION SPEC		
2 PLC ± -		SIZE CAGE CODE DRAWING NO. RESTRICTED TO		
3 PLC ± 0.127[.005]		A2 00779 C-34104		
4 PLC ± -		CUSTOMER DRAWING SCALE 10:1 SHEET 1 of 1 REV N2		
ANGLES ± -				
MATERIAL	FINISH			
7	SEE TABLE			

## X-ON Electronics

Largest Supplier of Electrical and Electronic Components

*Click to view similar products for [Terminals](#) category:*

*Click to view products by [TE Connectivity](#) manufacturer:*

Other Similar products are found below :

[00-054007-01074-6](#) [00-054007-70206-1](#) [00-054007-70210-8](#) [00-054007-70217-7](#) [00-054007-70226-9](#) [00-054007-70228-3](#) [00-054007-70248-1](#) [00-054007-70256-6](#) [00-054007-70301-3](#) [00-054007-70316-7](#) [0-0320562-0](#) [00-054007-49560-4](#) [00-054007-70209-2](#) [00-054007-70225-2](#) [00-054007-70227-6](#) [00-054007-70231-3](#) [00-054007-70241-2](#) [00-054007-70242-9](#) [00-054007-70244-3](#) [00-054007-70246-7](#) [00-054007-70263-4](#) [00-054007-70288-7](#) [00-054007-70290-0](#) [00-054007-70300-6](#) [00-054007-70304-4](#) [01-2065-1-0216](#) [01-2900-1-04412](#) [00581P0075](#) [600TS-10](#) [60205-1](#) [604200-1](#) [605601-1](#) [60598-1-CUT-TAPE](#) [61314-6-C](#) [61810-3](#) [61-S](#) [61-SN](#) [626-0194](#) [62-NBM-A](#) [62-SN](#) [62-SP](#) [63-S](#) [640179-1](#) [M55155/059I03](#) [M55155/079C01](#) [M55155/099H02](#) [M55155/109H01](#) [M55155/109H02](#) [M55155/12XH05](#) [M55155/16XH02](#)