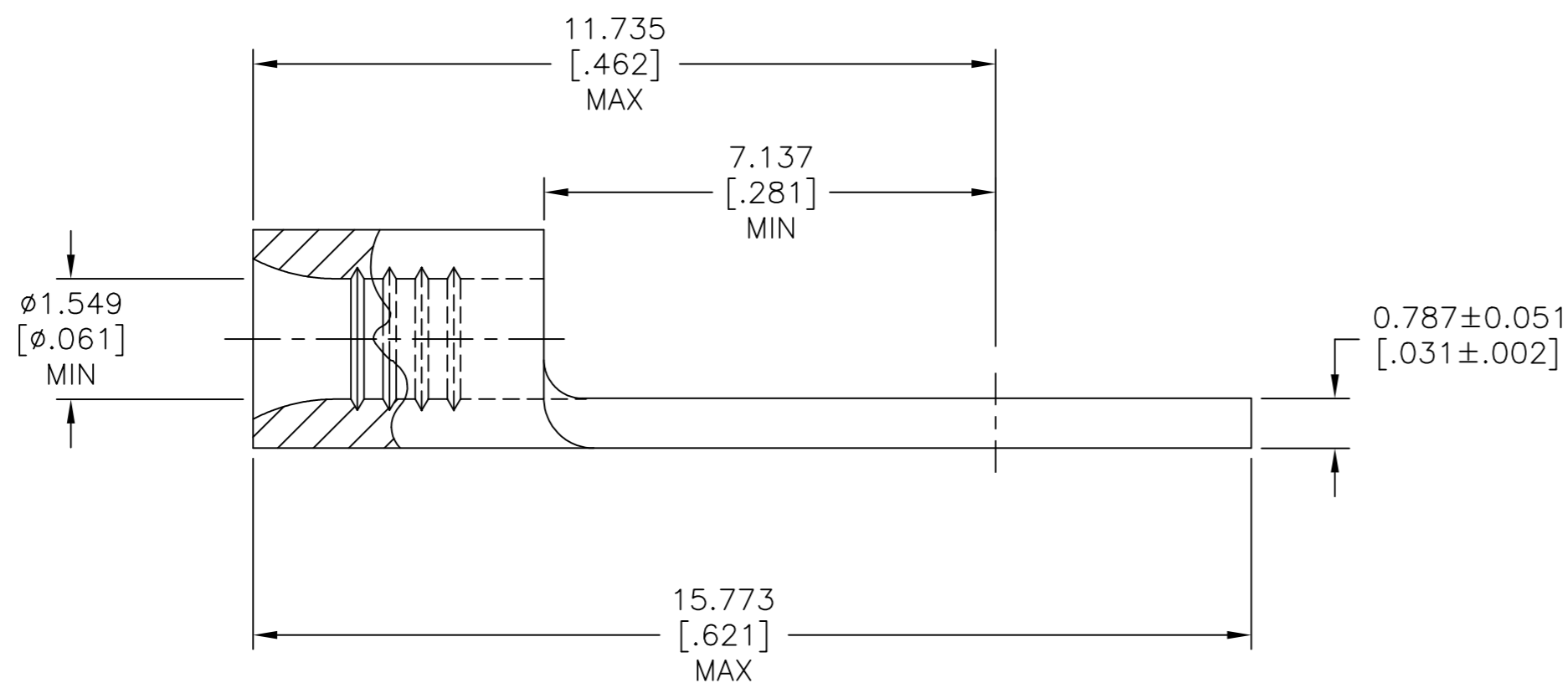
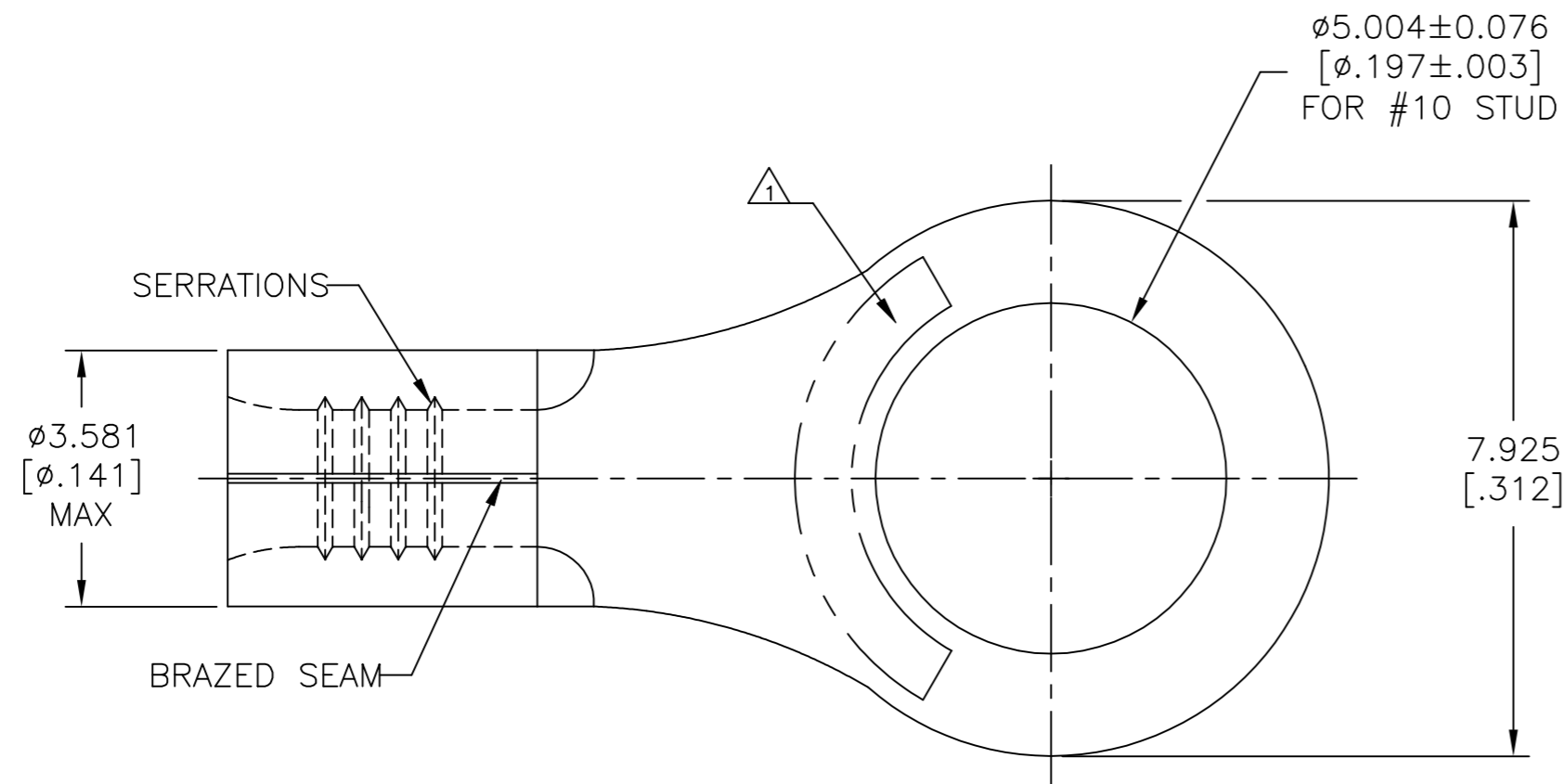


THIS DRAWING IS UNPUBLISHED. RELEASED FOR PUBLICATION  
 © COPYRIGHT - TE Connectivity Ltd. ALL RIGHTS RESERVED.

REVISIONS					
P	LTR	DESCRIPTION	DATE	DWN	APVD
E		REV PER 063A-0123-02	07MAR02	-	JR/MS
E1		REV PER ECO-17-008808	29JAN2018	RS	DR



<b>AMP</b> WIRE RANGE	E13288 Listed
22-16 AWG SOLID OR STRANDED	22-16 AWG SOLID OR STRANDED
LR7189 Certified	MILITARY P/N AND CLASS
22-16 AWG SOLID OR STRANDED	M7928/7-4 CLASS 2 P/N 34112 & 2-34112-2 ONLY

- △1 STAMP AMP 22-18\* APPROX AS SHOWN  
22-16 TERMINALS ARE STAMPED 22-18 IN  
ACCORDANCE WITH MILITARY SPECIFICATION  
SAE AS7928 COMMERCIAL WIRE RANGE IS 22-16
- 2 NOTE DELETED
- △3 0.00254[.000100] MIN TIN PER ASTM B-545
- △4 CLEANED, UNPLATED
- △5 UL486 A-B OR SAE AS7928

## AMP INCORPORATED CUSTOMER SERVICE SYSTEMS

FOR ADDITIONAL  
PRODUCT INFORMATION OR  
COPIES OF DRAWINGS  
AND TECHNICAL DOCUMENTS

PRODUCT INFORMATION CENTER  
1-800-522-6752

MAX RECOMMENDED OPERATING  
TEMPERATURE:  
170°C [338°F] MAX

FOR APPLICATION  
TOOLING INFORMATION

TOOLING ASSISTANCE CENTER  
1-800-722-1111

VOLTAGE RATING:  
NOT APPLICABLE

FOR ORDER ENTRY

1-800-526-5142

WIRE CROSS SECTIONAL AREA RANGE,  
0.26-1.65mm<sup>2</sup> [509-3,260] CIR MILS  
SOLID OR STRANDED

△4	1000	LOOSE PIECE	34112-3
△3	100	LOOSE PIECE, BOX	8-34112-1
△3	5000	ON TAPE	2-34112-2
△3	1000	LOOSE PIECE	34112
FINISH	QTY.	PACKAGE TYPE	PART NO.

THIS DRAWING IS A CONTROLLED DOCUMENT.		DWN TA BRINKMAN 3-10-93	TE Connectivity Ltd.		
DIMENSIONS: mm [INCHES]		CHK DA PATTERSON 3-10-93			
TOLERANCES UNLESS OTHERWISE SPECIFIED:		APVD JL MECKLEY 3-10-93	NAME TERMINAL, RING TONGUE, SOLISTRAND, <sup>TM</sup> 22-16 AWG		
0 PLC ± - 1 PLC ± - 2 PLC ± - 3 PLC ± 0.127[.005] 4 PLC ± - ANGLES ± -		PRODUCT SPEC - APPLICATION SPEC -	SIZE A2	CAGE CODE 00779	DRAWING NO C=34112
MATERIAL COPPER PER ASTM B-152 ANNEALED		FINISH SEE NOTES	WEIGHT -	RESTRICTED TO -	SCALE 10:1
CUSTOMER DRAWING			SHEET 1 of 1	REV E1	

## X-ON Electronics

Largest Supplier of Electrical and Electronic Components

*Click to view similar products for [Terminals](#) category:*

*Click to view products by [TE Connectivity](#) manufacturer:*

Other Similar products are found below :

[00-054007-01074-6](#) [00-054007-70206-1](#) [00-054007-70210-8](#) [00-054007-70217-7](#) [00-054007-70226-9](#) [00-054007-70228-3](#) [00-054007-70248-1](#) [00-054007-70256-6](#) [00-054007-70301-3](#) [00-054007-70316-7](#) [0-0320562-0](#) [00-054007-49560-4](#) [00-054007-70209-2](#) [00-054007-70225-2](#) [00-054007-70227-6](#) [00-054007-70231-3](#) [00-054007-70241-2](#) [00-054007-70242-9](#) [00-054007-70244-3](#) [00-054007-70246-7](#) [00-054007-70263-4](#) [00-054007-70288-7](#) [00-054007-70290-0](#) [00-054007-70300-6](#) [00-054007-70304-4](#) [01-2065-1-0216](#) [01-2900-1-04412](#) [00581P0075](#) [600TS-10](#) [60205-1](#) [604200-1](#) [605601-1](#) [60598-1-CUT-TAPE](#) [61314-6-C](#) [61810-3](#) [61-S](#) [61-SN](#) [626-0194](#) [62-NBM-A](#) [62-SN](#) [62-SP](#) [63-S](#) [640179-1](#) [M55155/059I03](#) [M55155/079C01](#) [M55155/099H02](#) [M55155/109H01](#) [M55155/109H02](#) [M55155/12XH05](#) [M55155/16XH02](#)