

4

3

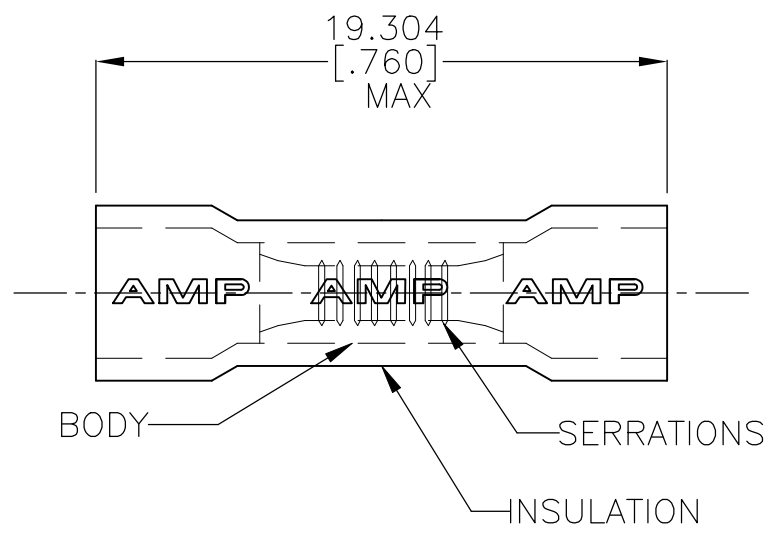
2

1

THIS DRAWING IS UNPUBLISHED. RELEASED FOR PUBLICATION
 © COPYRIGHT - TE Connectivity Ltd. ALL RIGHTS RESERVED.

REVISIONS				
P	LTR	DESCRIPTION	DATE	APVD
D		REDRAWN PER 0G3A-0550-03	05SEP03	JR TM
D1		REVISED PER ECO-17-014338	14MAY2018	RS DR

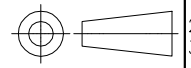
 E13288 Listed	 LR7189 Certified
22-16 SOLID OR STRANDED	22-16 SOLID OR STRANDED




1 FOR 2.667[.105] TO 3.556[.140] WIRE INSULATION DIA.

1000	LOOSE PIECE	INSULATION: PVC COLOR: RED BODY: COPPER ASTM B152 TIN PLATE PER ASTM B-545	34132
QTY	PACKAGE TYPE	MATERIAL / FINISH	PART NO

AMP INCORPORATED CUSTOMER SERVICE SYSTEMS	
FOR ADDITIONAL PRODUCT INFORMATION OR COPIES OF DRAWINGS AND TECHNICAL DOCUMENTS	PRODUCT INFORMATION CENTER 1-800-522-6752
FOR APPLICATION TOOLING INFORMATION	TOOLING ASSISTANCE CENTER 1-800-722-1111
FOR ORDER ENTRY	1-800-526-5142

THIS DRAWING IS A CONTROLLED DOCUMENT.	
DIMENSIONS: mm [INCHES]	TOLERANCES UNLESS OTHERWISE SPECIFIED:
	0 PLC ± - 1 PLC ± - 2 PLC ± - 3 PLC ± 0.127[.005] 4 PLC ± - ± 1° ANGLES
MATERIAL SEE TABLE	FINISH SEE TABLE

DWN jr ruth 05SEP03	 TE Connectivity Ltd.
CHK T MICHIELUTTI 05SEP03	
APVD T MICHIELUTTI 05SEP03	
PRODUCT SPEC	
APPLICATION SPEC	NAME WIRE SPLICE, PARALLEL, PLASTI-GRIP, WIRE SIZE: 22-16 AWG
114-2161	SIZE CAGE CODE DRAWING NO RESTRICTED TO
WEIGHT	A3 00779 C-34132 -
CUSTOMER DRAWING	SCALE 4:1 SHEET 1 of 1 REV D1

X-ON Electronics

Largest Supplier of Electrical and Electronic Components

Click to view similar products for [Terminals](#) category:

Click to view products by [TE Connectivity](#) manufacturer:

Other Similar products are found below :

[00-054007-01074-6](#) [00-054007-70206-1](#) [00-054007-70210-8](#) [00-054007-70217-7](#) [00-054007-70226-9](#) [00-054007-70228-3](#) [00-054007-70248-1](#) [00-054007-70256-6](#) [00-054007-70301-3](#) [00-054007-70316-7](#) [00-054007-49560-4](#) [00-054007-70209-2](#) [00-054007-70225-2](#) [00-054007-70227-6](#) [00-054007-70231-3](#) [00-054007-70241-2](#) [00-054007-70242-9](#) [00-054007-70244-3](#) [00-054007-70246-7](#) [00-054007-70263-4](#) [00-054007-70288-7](#) [00-054007-70290-0](#) [00-054007-70300-6](#) [00-054007-70304-4](#) [01-2065-1-0216](#) [01-2900-1-04412](#) [00581P0075](#) [600TS-10](#) [60205-1](#) [604200-1](#) [605601-1](#) [60598-1-CUT-TAPE](#) [61314-6-C](#) [61810-3](#) [61-S](#) [61-SN](#) [626-0194](#) [62-NBM-A](#) [62-SN](#) [62-SP](#) [63-S](#) [640179-1](#) [M55155/059I03](#) [M55155/079C01](#) [M55155/099H02](#) [M55155/109H01](#) [M55155/109H02](#) [M55155/12XH05](#) [M55155/16XH02](#) [M55155/29-5S](#)