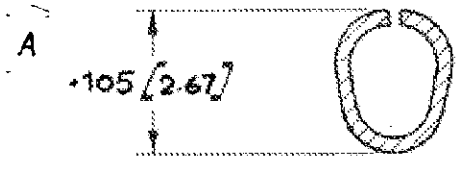
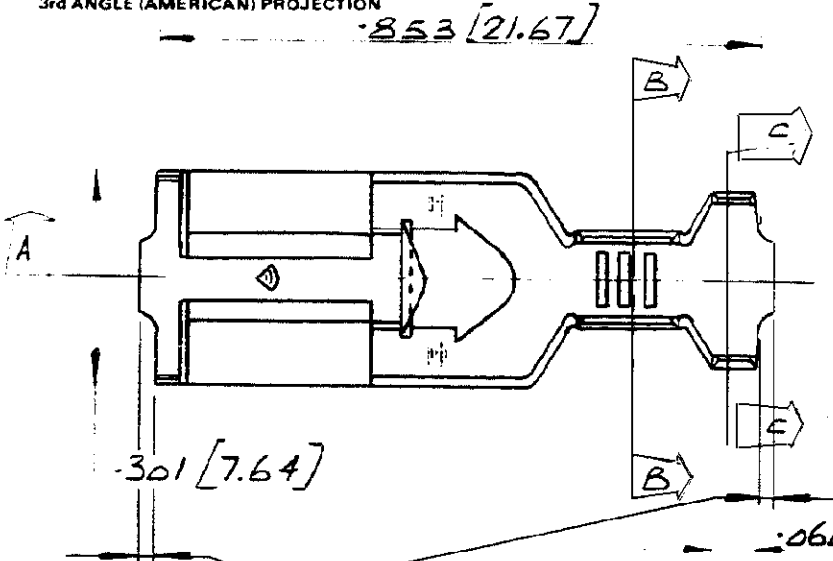


NUMBER C-341412

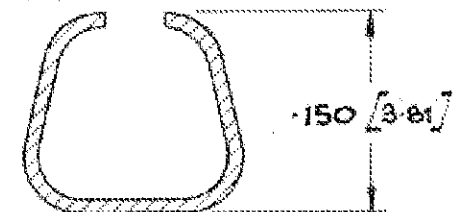
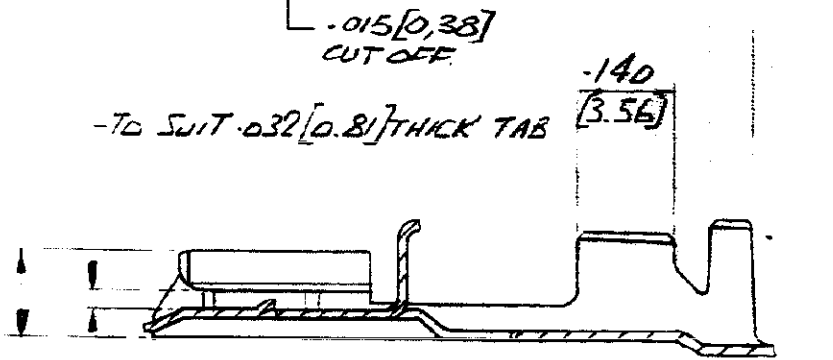
3rd ANGLE (AMERICAN) PROJECTION

DIMENSIONS IN INCHES DO NOT SCALE PRINT DIMENSIONS THUS [] IN MM.



SECTION B-B


WIRE BARREL SECTION B-B
PRE-FORM TO HEIGHT
SHOWN WITH .115 [2.92] 'F'
CRIMPER



SECTION C-C

INSULATION BARREL SECTION C-C
PRE-FORM TO HEIGHT SHOWN WITH .165
[4.19] 'F' CRIMPER

C-341412-5	NICKEL SILVER	NONE
C-341412-4	PHOSPHOR BRONZE	PRE-TIN
C-341412-3	PHOSPHOR BRONZE	NONE
C-341412-2	BRASS	PRE-TIN
C-341412-1	BRASS	NONE
PART NO.	MATERIAL	FINISH

C				TE of GREAT BRITAIN LTD 1978		CUSTOMER COPY REFERENCE ONLY	
MATERIAL AND FINISH SEE TABLE				 TE Connectivity			
A	Adding note for pre-form height		C.J	RRP	13JUN11	CLASS	
1	PRELIMINARY ISSUE		JPS	-	3/5/79	TYPE	
ISS	REVISION RECORD		DR	CHK	DATE	LOC	REV NO
DR	3/5/79 DE		J.P.	STOCKWELL	4.12.	E	A
CHK	1		APP	C-341412			

WIRE RANGE - INSULATION		TYPE	
0.5mm ² - 1.5mm ² 2.1mm ² - 2.9mm ²		LOOSE PIECE PART	
TOLERANCE EXCEPT AS NOTED		SCALE	
.015 [0.38] - 1:1		4:1	
NAME			
POSITIVE LOCK RECEPTACLE MK II (250)			

PRINT DIST.

X-ON Electronics

Largest Supplier of Electrical and Electronic Components

Click to view similar products for [Headers & Wire Housings](#) category:

Click to view products by [TE Connectivity](#) manufacturer:

Other Similar products are found below :

[95000-104TRLF](#) [10135584-644402LF](#) [DF62W-EP2022PCA](#) [95000-106TRLF](#) [DF62W-2022SCA](#) [DF62W-EP2022PC](#) [2203348](#) [DF62W-2022SC](#) [1084018](#) [1029039](#) [1084017](#) [802-10-012-10-002000](#) [1112640](#) [1112639](#) [891-007-9SS-BST1T](#) [000-34000](#) [0008550134](#) [0009482033](#) [0009507031](#) [57102-F02-18ULF](#) [57102-S06-03LF](#) [57202-S52-04LF](#) [PCN6-15S-2.5E](#) [0039019024](#) [58102-G61-06LF](#) [582553-1](#) [0009485154](#) [0009508121](#) [0022285053](#) [0050291907](#) [018731A](#) [LY20-4P-DT1-P1E-BR](#) [02.125.8002.8](#) [60101931](#) [60598-1 \(Cut Strip\)](#) [M1625-3R/100](#) [61062-3](#) [61082-181009](#) [CSU011177004](#) [636-1427](#) [638009-1](#) [641938-9](#) [641991-4](#) [644168-1](#) [644827-2](#) [647662-1](#) [65039-019ELF](#) [65692-001LF](#) [65781-018](#) [65781-047](#)