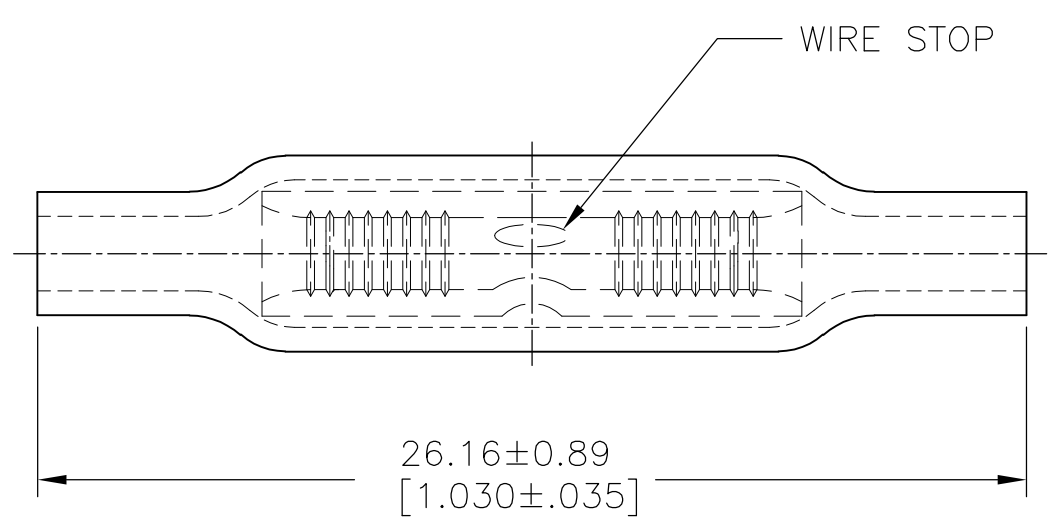
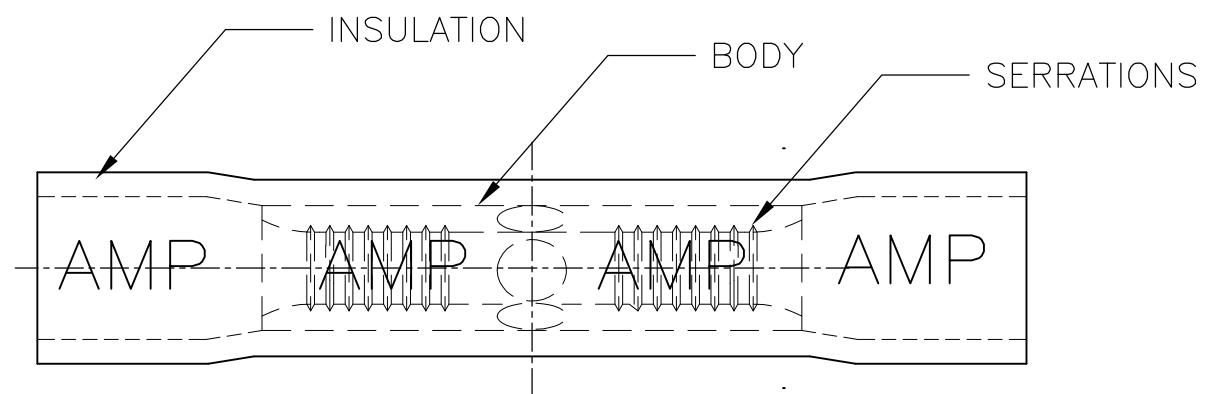


THIS DRAWING IS UNPUBLISHED. RELEASED FOR PUBLICATION
 © COPYRIGHT - By - ALL RIGHTS RESERVED.

LOC	DIST	REVISIONS			
P	LTR	DESCRIPTION	DATE	DWN	APVD
G	-	F2	REDRAW PER ECO-11-020548	02FEB12	KH DR

1 FOR 4.34[.171] TO 2.11[.083] MAX OVALED WIRE INSULATION DIA



OBSOLETE	100	LOOSE PC,BOX	BODY: COPPER PER ASTM B152 TIN PLATE PER ASTM B545	8-34203-1
	1000	LOOSE PIECE	INSULATION: PVC COLOR: RED	34203
	QTY	PACKAGE TYPE	MATERIAL & FINISH	PART NO

THIS DRAWING IS A CONTROLLED DOCUMENT.		DWN KIRAN HOLAL 02FEB12	STE TE Connectivity	
DIMENSIONS: mm [INCHES]		CHK ROHDE DANIEL 02FEB12		
TOLERANCES UNLESS OTHERWISE SPECIFIED:		APVD ROHDE DANIEL 02FEB12	NAME	
0 PLC ± -		PRODUCT SPEC	-	
1 PLC ± -		APPLICATION SPEC	WIRE SPLICE PLASTI-GRIP-BUTT-OVALED	
2 PLC ± -			WIRE SIZE: 22-16	
3 PLC ± 0.20[.008]			SIZE	CAGE CODE
4 PLC ± -			A3	00779
ANGLES ± 5°		WEIGHT	DRAWING NO	RESTRICTED TO
MATERIAL			C-34203	-
FINISH			CUSTOMER DRAWING	SCALE 5:1
			SHEET 1 OF 1	REV F2

X-ON Electronics

Largest Supplier of Electrical and Electronic Components

Click to view similar products for [Terminals](#) category:

Click to view products by [TE Connectivity](#) manufacturer:

Other Similar products are found below :

[00-054007-01074-6](#) [00-054007-70206-1](#) [00-054007-70210-8](#) [00-054007-70217-7](#) [00-054007-70226-9](#) [00-054007-70228-3](#) [00-054007-70248-1](#) [00-054007-70256-6](#) [00-054007-70301-3](#) [00-054007-70316-7](#) [00-054007-49560-4](#) [00-054007-70209-2](#) [00-054007-70225-2](#) [00-054007-70227-6](#) [00-054007-70231-3](#) [00-054007-70241-2](#) [00-054007-70242-9](#) [00-054007-70244-3](#) [00-054007-70246-7](#) [00-054007-70263-4](#) [00-054007-70288-7](#) [00-054007-70290-0](#) [00-054007-70300-6](#) [00-054007-70304-4](#) [01-2065-1-0216](#) [01-2900-1-04412](#) [00581P0075](#) [600TS-10](#) [60205-1](#) [604200-1](#) [605601-1](#) [60598-1-CUT-TAPE](#) [61314-6-C](#) [61810-3](#) [61-S](#) [61-SN](#) [626-0194](#) [62-NBM-A](#) [62-SN](#) [62-SP](#) [63-S](#) [640179-1](#) [M55155/059I03](#) [M55155/079C01](#) [M55155/099H02](#) [M55155/109H01](#) [M55155/109H02](#) [M55155/12XH05](#) [M55155/16XH02](#) [M55155/29-5S](#)