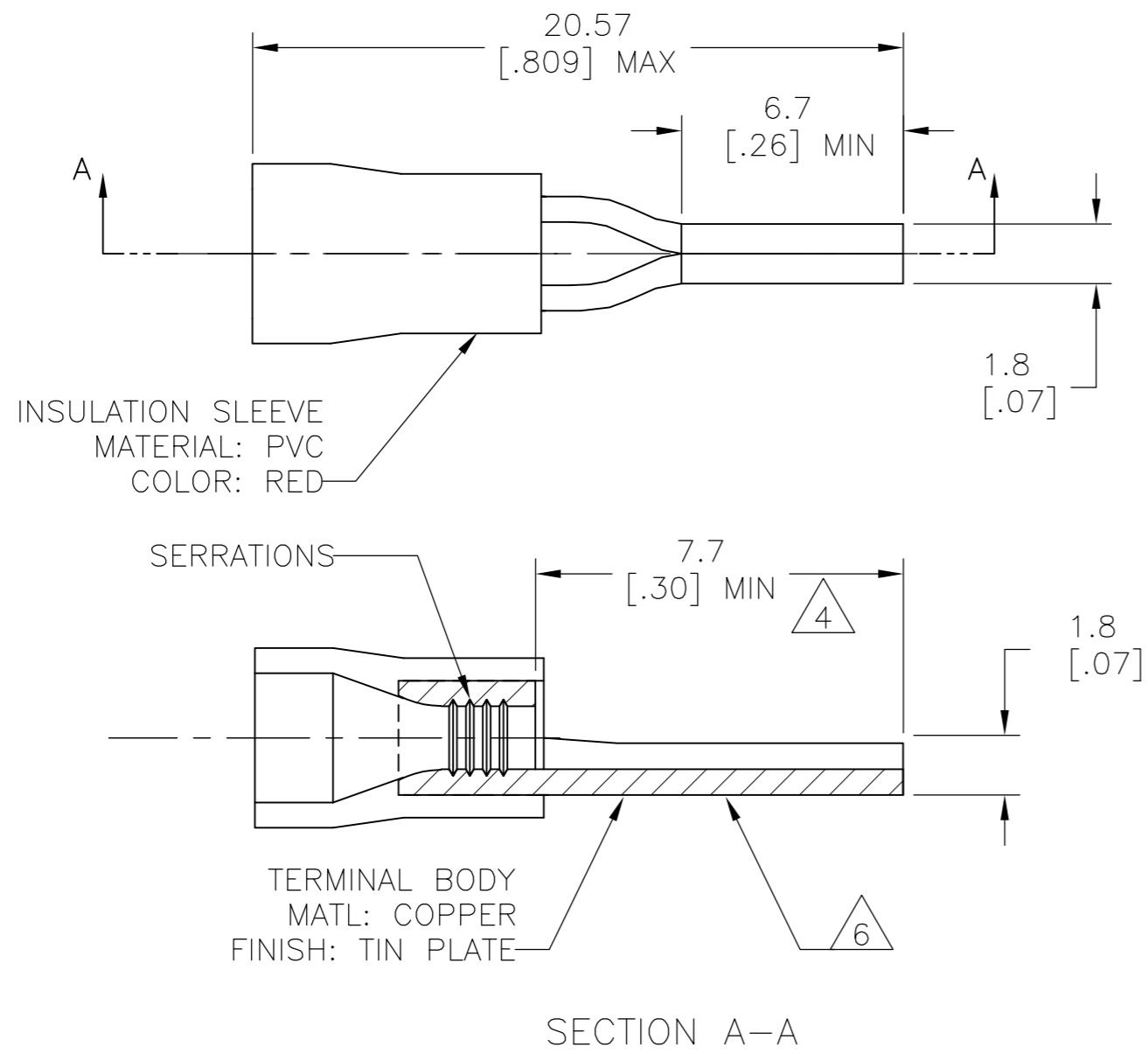


THIS DRAWING IS UNPUBLISHED. RELEASED FOR PUBLICATION
 © COPYRIGHT - By - ALL RIGHTS RESERVED.

LOC	DIST	REVISIONS			
P	LTR	DESCRIPTION	DATE	DWN	APVD
G	02	G2	REVISED PER ECO-14-003208	18MAR2014	NK DR



- 1 WIRE SIZE IS #22-#16 AWG
- 2 WIRE INSULATION DIA: 2.7 - 3.6[.10-.14]
- 3 MATERIAL THICKNESS IS 0.8[.03]
- 4 DIMENSION APPLIES FROM EDGE OF METAL WIRE BARREL TO END OF PIN
- 5 SUPERSEDED BY 342126-1
- 6 STAMP AMP 22-16* APPROX AS SHOWN
- 7 MAX RECOMMENDED OPERATING TEMPERATURE 105°C[221°F]

POLY BAG WITH HEADER	STANDARD	100	5	7-342126-1
PLASTIC BOX	STANDARD	100	5	6-342126-1
LOOSE PIECE	STANDARD	1000		342126-1
PACKAGING	LABELLING	QTY RED		PART NO

THIS DRAWING IS A CONTROLLED DOCUMENT.		DWN jr ruth 07AUG03	TE Connectivity	
DIMENSIONS: mm [INCHES]		CHK T MICHIELUTTI 07AUG03	NAME TERMINAL, WIRE PIN, PLASTI-GRIP,	
TOLERANCES UNLESS OTHERWISE SPECIFIED:		APVD T MICHIELUTTI 07AUG03	PRODUCT SPEC -	
0 PLC ± -		APPLICATION SPEC -	SIZE A2	CAGE CODE 00779
1 PLC ± 0.50[.019]		WEIGHT -	DRAWING NO C=342126	RESTRICTED TO -
2 PLC ± -		CUSTOMER DRAWING	SCALE 5:1	SHEET 1 of 1
3 PLC ± -			REV G2	
4 PLC ± -				
ANGLES ± 1°				
MATERIAL -				
FINISH -				

X-ON Electronics

Largest Supplier of Electrical and Electronic Components

Click to view similar products for [Terminals](#) category:

Click to view products by [TE Connectivity](#) manufacturer:

Other Similar products are found below :

[00-054007-01074-6](#) [00-054007-70206-1](#) [00-054007-70210-8](#) [00-054007-70217-7](#) [00-054007-70226-9](#) [00-054007-70228-3](#) [00-054007-70248-1](#) [00-054007-70256-6](#) [00-054007-70301-3](#) [00-054007-70316-7](#) [00-054007-49560-4](#) [00-054007-70209-2](#) [00-054007-70225-2](#) [00-054007-70227-6](#) [00-054007-70231-3](#) [00-054007-70241-2](#) [00-054007-70242-9](#) [00-054007-70244-3](#) [00-054007-70246-7](#) [00-054007-70263-4](#) [00-054007-70288-7](#) [00-054007-70290-0](#) [00-054007-70300-6](#) [00-054007-70304-4](#) [01-2065-1-0216](#) [01-2900-1-04412](#) [00581P0075](#) [600TS-10](#) [60205-1](#) [604200-1](#) [605601-1](#) [60598-1-CUT-TAPE](#) [61314-6-C](#) [61810-3](#) [61-S](#) [61-SN](#) [626-0194](#) [62-NBM-A](#) [62-SN](#) [62-SP](#) [63-S](#) [640179-1](#) [M55155/059I03](#) [M55155/079C01](#) [M55155/099H02](#) [M55155/109H01](#) [M55155/109H02](#) [M55155/12XH05](#) [M55155/16XH02](#) [M55155/29-5S](#)