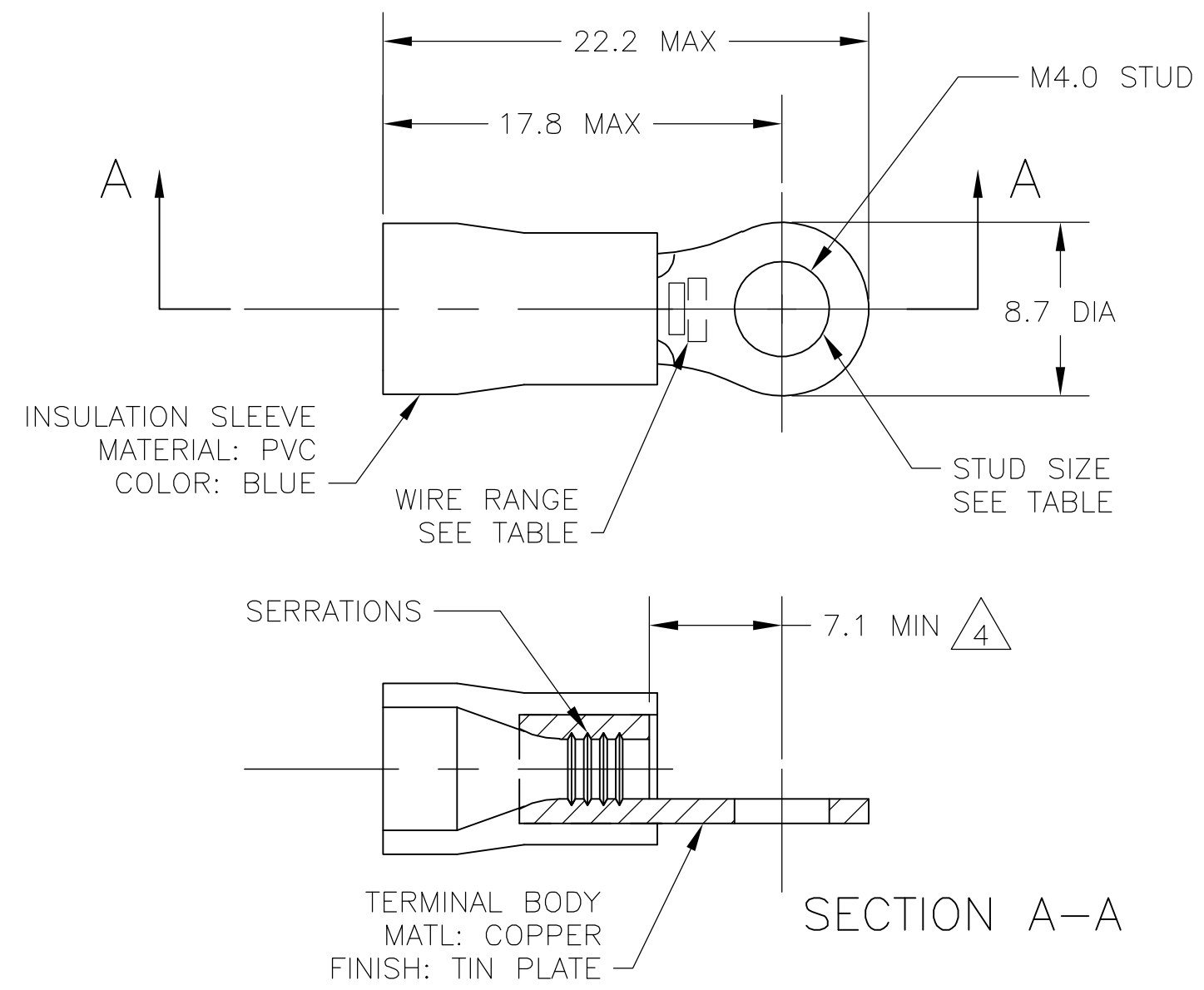


THIS DRAWING IS UNPUBLISHED. RELEASED FOR PUBLICATION
 © COPYRIGHT BY TYCO ELECTRONICS CORPORATION. ALL RIGHTS RESERVED.

| LOC | DIST | REVISIONS | | | |
|-----|------|-------------|-----------------------|---------|--------|
| P | LTR | DESCRIPTION | DATE | DWN | APVD |
| G | 02 | R1 | REV PER ECR-06-001930 | 13FEB06 | HMR TM |



- 1 WIRE SIZE IS 16-14 AWG
- 2 WIRE INSULATION DIA: 3.0-4.9
- 3 MATERIAL THICKNESS IS 0.8
- 4 DIMENSION APPLIES FROM EDGE OF METAL WIRE BARREL TO END OF PIN.
- 5 SUPERSEDED BY 342143-1

| | | | |
|----------------------|-----------|------|--------------|
| POLY BAG WITH HEADER | STANDARD | 100 | 5 7-342143-1 |
| PLASTIC BOX | STANDARD | 100 | 5 6-342143-1 |
| TAPED MOUNTED | STANDARD | 5000 | 2-342143-1 |
| PLASTIC BAG | STANDARD | 100 | 342143-1 |
| PACKAGING | LABELLING | QTY | PART NO |

| | | | | |
|--|--|----------------------------|--|-----------------|
| THIS DRAWING IS A CONTROLLED DOCUMENT. | | DWN jr ruth 02DEC05 | tyco Tyco Electronics Corporation | |
| DIMENSIONS: INCHES | | CHK T MICHIELUTTI 02DEC05 | Electronics Harrisburg, PA 17105-3608 | |
| TOLERANCES UNLESS OTHERWISE SPECIFIED: | | APVD T MICHIELUTTI 02DEC05 | NAME | |
| 0 PLC ± - | | PRODUCT SPEC | TERMINAL, RING TONGUE, PLASTI-GRIP, | |
| 1 PLC ± 0.5 | | APPLICATION SPEC | - | |
| 2 PLC ± - | | WEIGHT | SIZE A2 | CAGE CODE 00779 |
| 3 PLC ± - | | MATERIAL | DRAWING NO C=342143 | RESTRICTED TO |
| 4 PLC ± - | | FINISH | SCALE 5:1 | SHEET 1 of 1 |
| ANGLES ± 1° | | CUSTOMER DRAWING | REV R1 | |

X-ON Electronics

Largest Supplier of Electrical and Electronic Components

Click to view similar products for [Terminals](#) category:

Click to view products by [TE Connectivity](#) manufacturer:

Other Similar products are found below :

[00-054007-01074-6](#) [00-054007-70206-1](#) [00-054007-70210-8](#) [00-054007-70217-7](#) [00-054007-70226-9](#) [00-054007-70228-3](#) [00-054007-70248-1](#) [00-054007-70256-6](#) [00-054007-70301-3](#) [00-054007-70316-7](#) [0-0320562-0](#) [00-054007-49560-4](#) [00-054007-70209-2](#) [00-054007-70225-2](#) [00-054007-70227-6](#) [00-054007-70231-3](#) [00-054007-70241-2](#) [00-054007-70242-9](#) [00-054007-70244-3](#) [00-054007-70246-7](#) [00-054007-70263-4](#) [00-054007-70288-7](#) [00-054007-70290-0](#) [00-054007-70300-6](#) [00-054007-70304-4](#) [01-2065-1-0216](#) [01-2900-1-04412](#) [00581P0075](#) [600TS-10](#) [60205-1](#) [604200-1](#) [605601-1](#) [60598-1-CUT-TAPE](#) [61314-6-C](#) [61810-3](#) [61-S](#) [61-SN](#) [626-0194](#) [62-NBM-A](#) [62-SN](#) [62-SP](#) [63-S](#) [640179-1](#) [M55155/059I03](#) [M55155/079C01](#) [M55155/099H02](#) [M55155/109H01](#) [M55155/109H02](#) [M55155/12XH05](#) [M55155/16XH02](#)