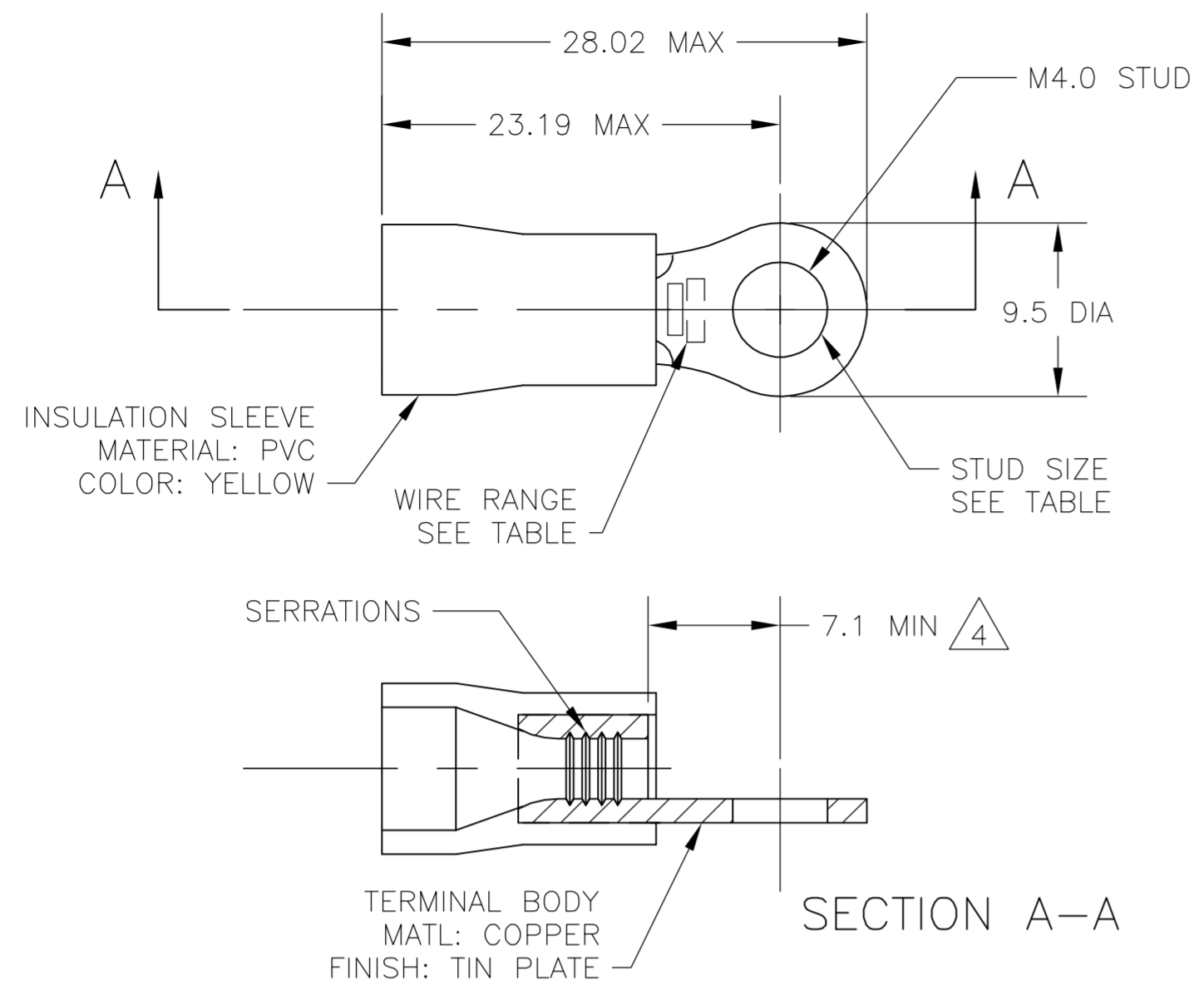


THIS DRAWING IS UNPUBLISHED. RELEASED FOR PUBLICATION
 © COPYRIGHT BY TYCO ELECTRONICS CORPORATION. ALL RIGHTS RESERVED.

LOC	DIST	REVISIONS			
P	LTR	DESCRIPTION	DATE	DWN	APVD
G	02	R1	REV PER ECR-06-001930	13FEB06	HMR TM



- 1 WIRE SIZE IS 12-10 AWG
- 2 WIRE INSULATION DIA: 3.8-6.4
- 3 MATERIAL THICKNESS IS 1.0
- 4 DIMENSION APPLIES FROM EDGE OF METAL WIRE BARREL TO END OF PIN.
- 5 SUPERSEDED BY 342183-1

POLY BAG WITH HEADER	STANDARD	50	5	7-342183-1
PLASTIC BOX	STANDARD	50	5	6-342183-1
TAPED MOUNTED	STANDARD	2500		2-342183-1
PLASTIC BAG	STANDARD	500		342183-1
PACKAGING	LABELLING	QTY		PART NO

DIMENSIONS: INCHES		TOLERANCES UNLESS OTHERWISE SPECIFIED:		DWN		CHK		APVD		NAME		SIZE	CAGE CODE	DRAWING NO	RESTRICTED TO
0 PLC		± -		jr ruth		T MICHIELUTTI		T MICHIELUTTI		Tyco Electronics Corporation		A2	00779	C=342183	-
1 PLC		± 0.5		02DEC05		02DEC05		02DEC05		Harrisburg, PA 17105-3608					
2 PLC		± -								TERMINAL, RING TONGUE, PLASTI-GRIP,					
3 PLC		± -								-					
4 PLC		± -								-					
ANGLES		± 1°								-					
FINISH										-					
MATERIAL										-					
										-					
CUSTOMER DRAWING										SCALE 5:1		SHEET 1 of 1		REV R1	

X-ON Electronics

Largest Supplier of Electrical and Electronic Components

Click to view similar products for [Terminals](#) category:

Click to view products by [TE Connectivity](#) manufacturer:

Other Similar products are found below :

[00-054007-01074-6](#) [00-054007-70206-1](#) [00-054007-70210-8](#) [00-054007-70217-7](#) [00-054007-70226-9](#) [00-054007-70228-3](#) [00-054007-70248-1](#) [00-054007-70256-6](#) [00-054007-70301-3](#) [00-054007-70316-7](#) [0-0320562-0](#) [00-054007-49560-4](#) [00-054007-70209-2](#) [00-054007-70225-2](#) [00-054007-70227-6](#) [00-054007-70231-3](#) [00-054007-70241-2](#) [00-054007-70242-9](#) [00-054007-70244-3](#) [00-054007-70246-7](#) [00-054007-70263-4](#) [00-054007-70288-7](#) [00-054007-70290-0](#) [00-054007-70300-6](#) [00-054007-70304-4](#) [01-2065-1-0216](#) [01-2900-1-04412](#) [00581P0075](#) [600TS-10](#) [60205-1](#) [604200-1](#) [605601-1](#) [60598-1-CUT-TAPE](#) [61314-6-C](#) [61810-3](#) [61-S](#) [61-SN](#) [626-0194](#) [62-NBM-A](#) [62-SN](#) [62-SP](#) [63-S](#) [640179-1](#) [M55155/059I03](#) [M55155/079C01](#) [M55155/099H02](#) [M55155/109H01](#) [M55155/109H02](#) [M55155/12XH05](#) [M55155/16XH02](#)