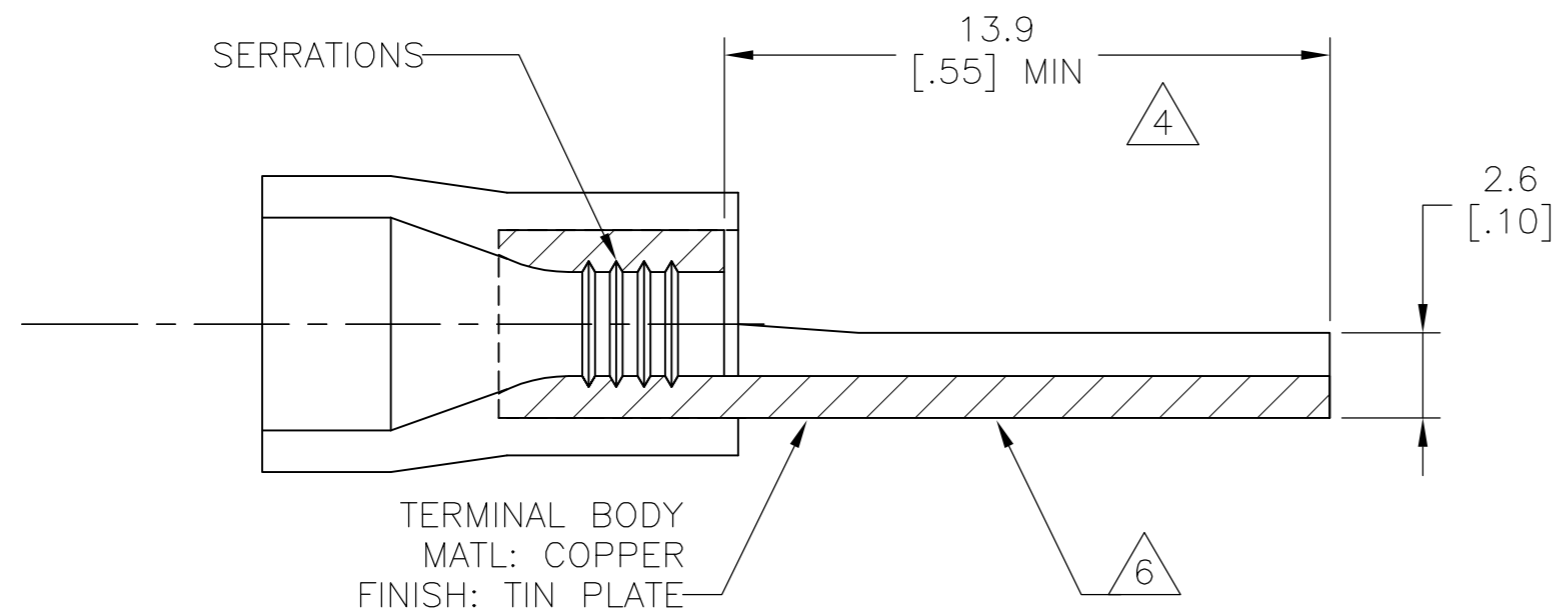
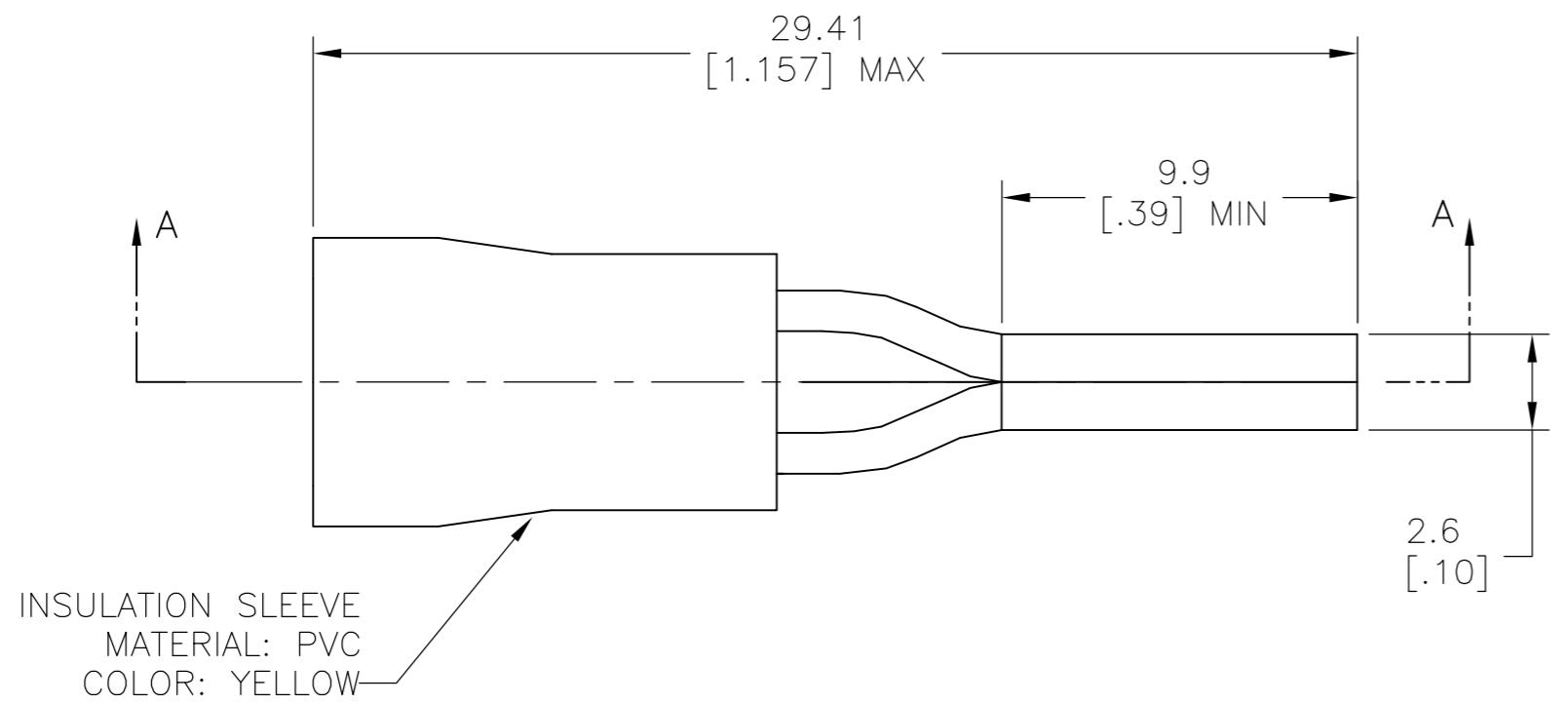


THIS DRAWING IS UNPUBLISHED. RELEASED FOR PUBLICATION  
 © COPYRIGHT - By - ALL RIGHTS RESERVED.

LOC	DIST	REVISIONS			
P	LTR	DESCRIPTION	DATE	DWN	APVD
G	02	G2 REVISED PER ECO-14-003208	15MAR2014	NK	DR



SECTION A-A

- 1 WIRE SIZE IS #12-#10 AWG
- 2 INSULATION DIA: 3.8 - 6.4 [.15-.25]
- 3 MATERIAL THICKNESS IS 1.0 [.04]
- 4 DIMENSION APPLIES FROM EDGE OF METAL WIRE BARREL TO END OF PIN
- 5 SUPERSEDED BY 342196-1
- 6 STAMP AMP 12-10\* APPROX AS SHOWN
- 7 MAX RECOMMENDED OPERATING TEMPERATURE 105°C[221°F]

	POLY BAG WITH HEADER	STANDARD	50	5	7-342196-1
	PLASTIC BOX	STANDARD	50	5	6-342196-1
OBSOLETE	TAPED MOUNTED	STANDARD	2000		2-342196-1
	LOOSE PIECE	STANDARD	500		342196-1
	PACKAGING	LABELLING	QTY		PART NO

THIS DRAWING IS A CONTROLLED DOCUMENT.		DWN jr ruth 07AUG03	<b>TE</b> TE Connectivity		
DIMENSIONS: mm [INCHES]		CHK T MICHELUTTI 07AUG03			
TOLERANCES UNLESS OTHERWISE SPECIFIED:		APVD T MICHELUTTI 07AUG03	NAME		
0 PLC ± -		PRODUCT SPEC			
1 PLC ± 0.5[.02]		APPLICATION SPEC			
2 PLC ± -		WEIGHT			
3 PLC ± -		SIZE			
4 PLC ± -		CAGE CODE			
ANGLES ± 1°		DRAWING NO			
MATERIAL		RESTRICTED TO			
FINISH		SCALE			
		SHEET			
		REV			

TERMINAL, WIRE PIN, PLASTI-GRIP,

A2 00779 C=342196

CUSTOMER DRAWING SCALE 5:1 SHEET 1 of 1 REV G2

## X-ON Electronics

Largest Supplier of Electrical and Electronic Components

*Click to view similar products for [Terminals](#) category:*

*Click to view products by [TE Connectivity](#) manufacturer:*

Other Similar products are found below :

[00-054007-01074-6](#) [00-054007-70206-1](#) [00-054007-70210-8](#) [00-054007-70217-7](#) [00-054007-70226-9](#) [00-054007-70228-3](#) [00-054007-70248-1](#) [00-054007-70256-6](#) [00-054007-70301-3](#) [00-054007-70316-7](#) [00-054007-49560-4](#) [00-054007-70209-2](#) [00-054007-70225-2](#) [00-054007-70227-6](#) [00-054007-70231-3](#) [00-054007-70241-2](#) [00-054007-70242-9](#) [00-054007-70244-3](#) [00-054007-70246-7](#) [00-054007-70263-4](#) [00-054007-70288-7](#) [00-054007-70290-0](#) [00-054007-70300-6](#) [00-054007-70304-4](#) [01-2065-1-0216](#) [01-2900-1-04412](#) [00581P0075](#) [600TS-10](#) [60205-1](#) [604200-1](#) [605601-1](#) [60598-1-CUT-TAPE](#) [61314-6-C](#) [61810-3](#) [61-S](#) [61-SN](#) [626-0194](#) [62-NBM-A](#) [62-SN](#) [62-SP](#) [63-S](#) [640179-1](#) [M55155/059I03](#) [M55155/079C01](#) [M55155/099H02](#) [M55155/109H01](#) [M55155/109H02](#) [M55155/12XH05](#) [M55155/16XH02](#) [M55155/29-5S](#)