

4

3

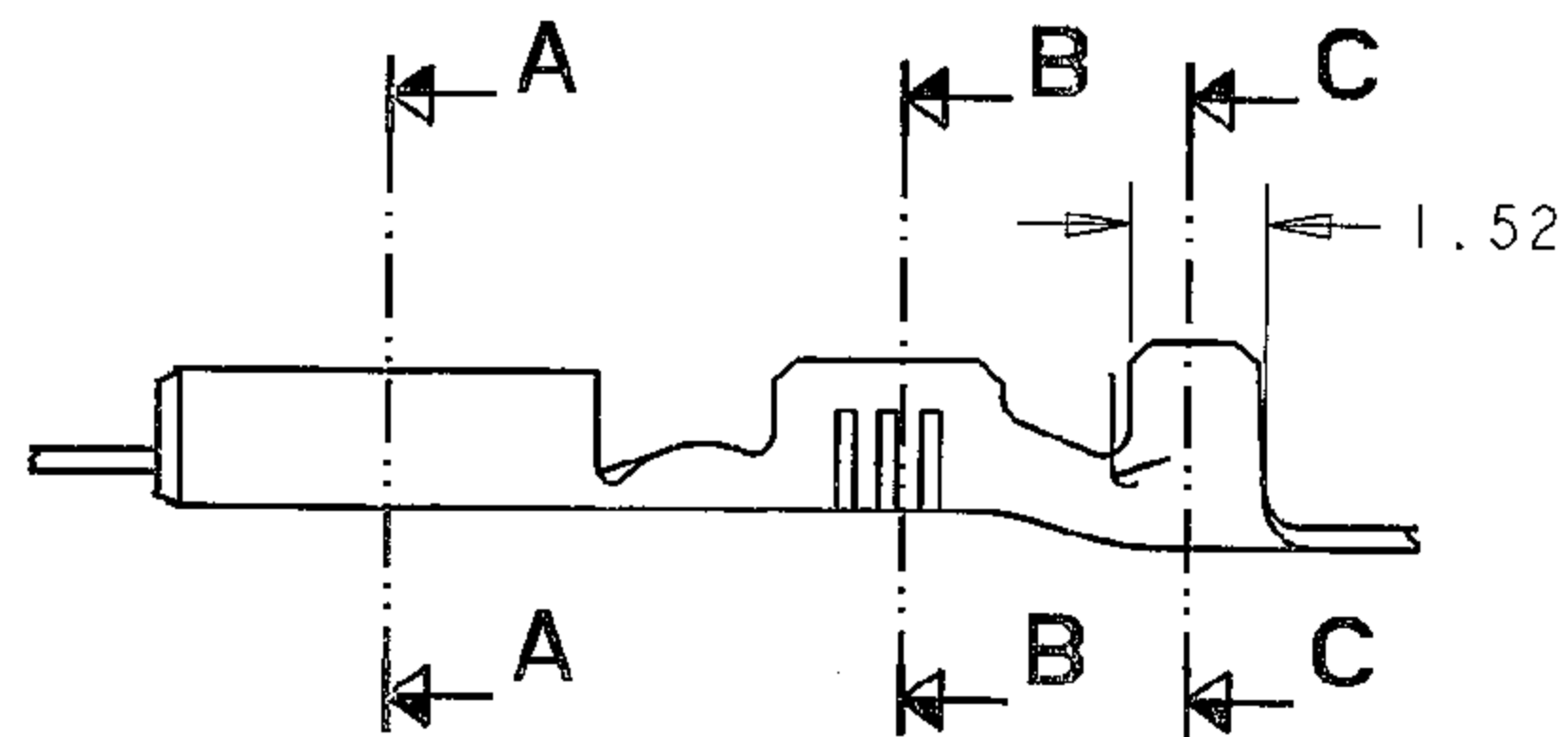
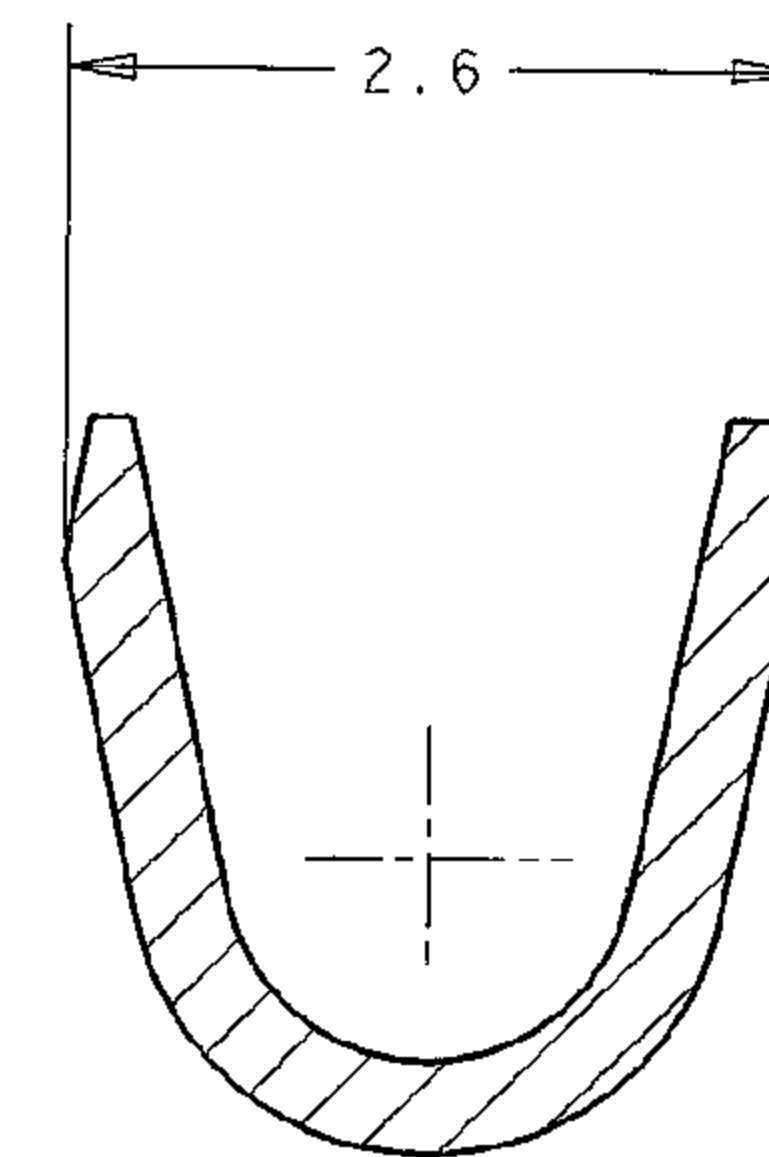
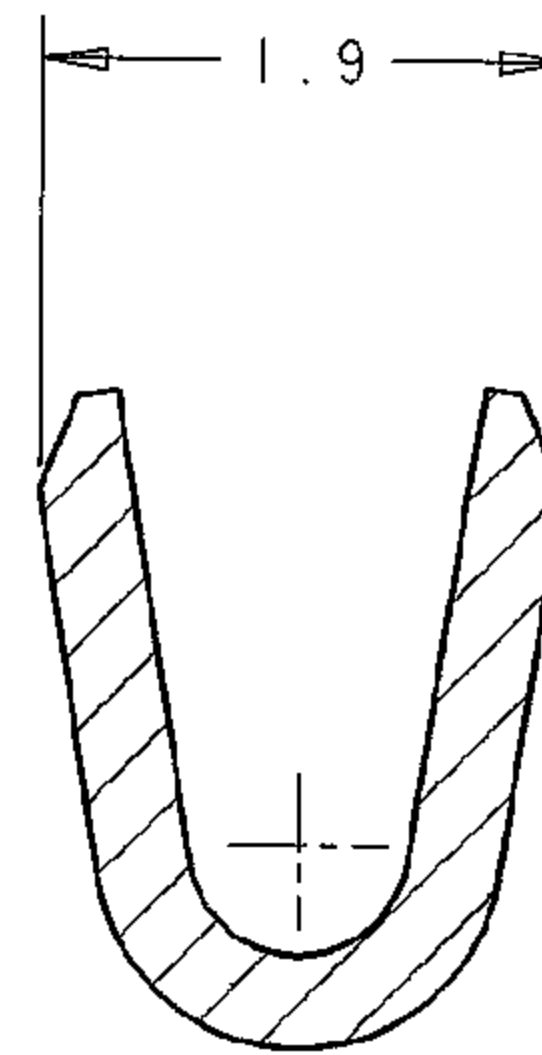
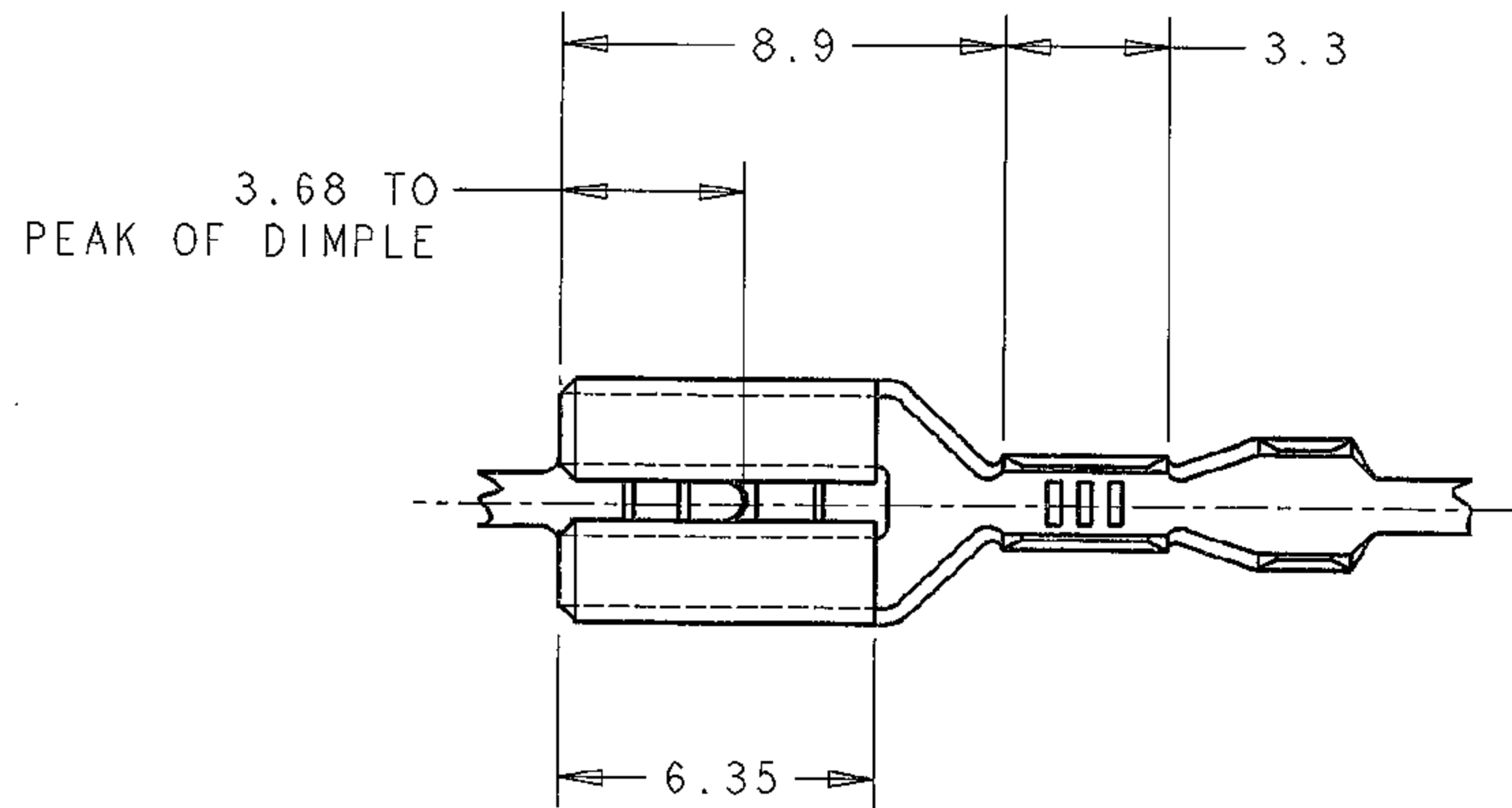
2

1

RELEASED FOR PUBLICATION 19-FEB-82

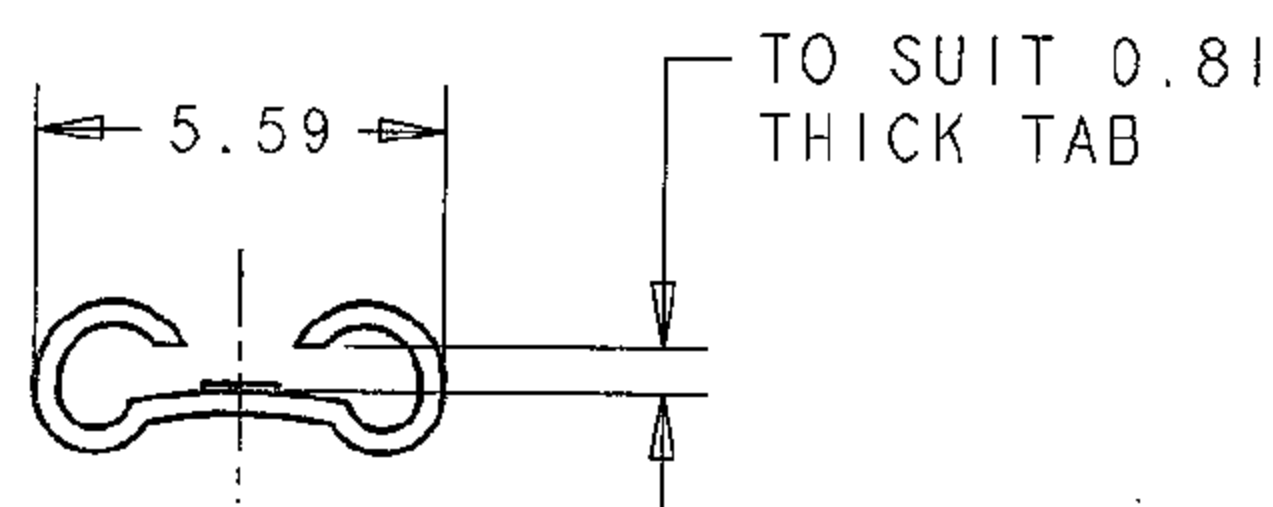
© COPYRIGHT 1982 BY AMP INCORPORATED. ALL RIGHTS RESERVED.

REVISIONS				
P	LTR	DESCRIPTION	DATE	APVD
B		ECR-08-024354	26/09/08	MJG JA



SECTION B-B
SCALE 20:1

SECTION C-C
SCALE 20:1



SECTION A-A

WIRE RANGE: -0.2-0.5mm².
INSULATION: -1.02-1.78.

ELECTRO TIN 3.0-9.0THK	BRASS	342368-2
NONE	BRASS	342368-1
FINISH	MATERIAL	PART NUMBER

THIS DRAWING IS A CONTROLLED DOCUMENT FOR AMP INCORPORATED. IT IS SUBJECT TO CHANGE AND THE CONTROLLING ENGINEERING ORGANIZATION SHOULD BE CONTACTED FOR THE LATEST REVISION.		DWN D.R. TERRY 29-May-98	AMP AMP of Great Britain Ltd, Stanmore, Middlesex, HA7 4RS.
DIMENSIONS IN m.m		CHK D. McAFFERY 23-2-82	
TOLERANCES UNLESS OTHERWISE SPECIFIED		APVD R. RUNNAGALL 23-2-82	NAME 4.75(.187) SERIES FASTON RECEPTACLE
THIRD ANGLE PROJECTION	LINEAR: - ±0.5 ANGULAR: - ±1°	PRODUCT SPEC -	SIZE A3
MATERIAL SEE TABLE	FINISH SEE TABLE	APPLICATION SPEC -	CAGE CODE 00779
		WEIGHT -	DRAWING NO C-342368
		CUSTOMER DRAWING	SCALE N.T.S.
			SHEET 1 OF 1 REV B

X-ON Electronics

Largest Supplier of Electrical and Electronic Components

Click to view similar products for [Terminals](#) category:

Click to view products by [TE Connectivity](#) manufacturer:

Other Similar products are found below :

[00-054007-01074-6](#) [00-054007-70206-1](#) [00-054007-70210-8](#) [00-054007-70217-7](#) [00-054007-70226-9](#) [00-054007-70228-3](#) [00-054007-70248-1](#) [00-054007-70256-6](#) [00-054007-70301-3](#) [00-054007-70316-7](#) [0-0320562-0](#) [00-054007-49560-4](#) [00-054007-70209-2](#) [00-054007-70225-2](#) [00-054007-70227-6](#) [00-054007-70231-3](#) [00-054007-70241-2](#) [00-054007-70242-9](#) [00-054007-70244-3](#) [00-054007-70246-7](#) [00-054007-70263-4](#) [00-054007-70288-7](#) [00-054007-70290-0](#) [00-054007-70300-6](#) [00-054007-70304-4](#) [01-2065-1-0216](#) [01-2900-1-04412](#) [00581P0075](#) [600TS-10](#) [60205-1](#) [604200-1](#) [605601-1](#) [60598-1-CUT-TAPE](#) [61314-6-C](#) [61810-3](#) [61-S](#) [61-SN](#) [626-0194](#) [62-NBM-A](#) [62-SN](#) [62-SP](#) [63-S](#) [640179-1](#) [M55155/059I03](#) [M55155/079C01](#) [M55155/099H02](#) [M55155/109H01](#) [M55155/109H02](#) [M55155/12XH05](#) [M55155/16XH02](#)