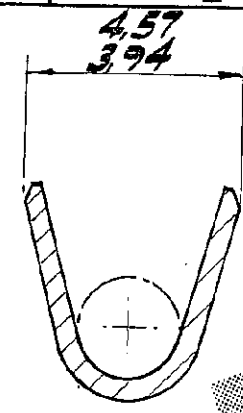
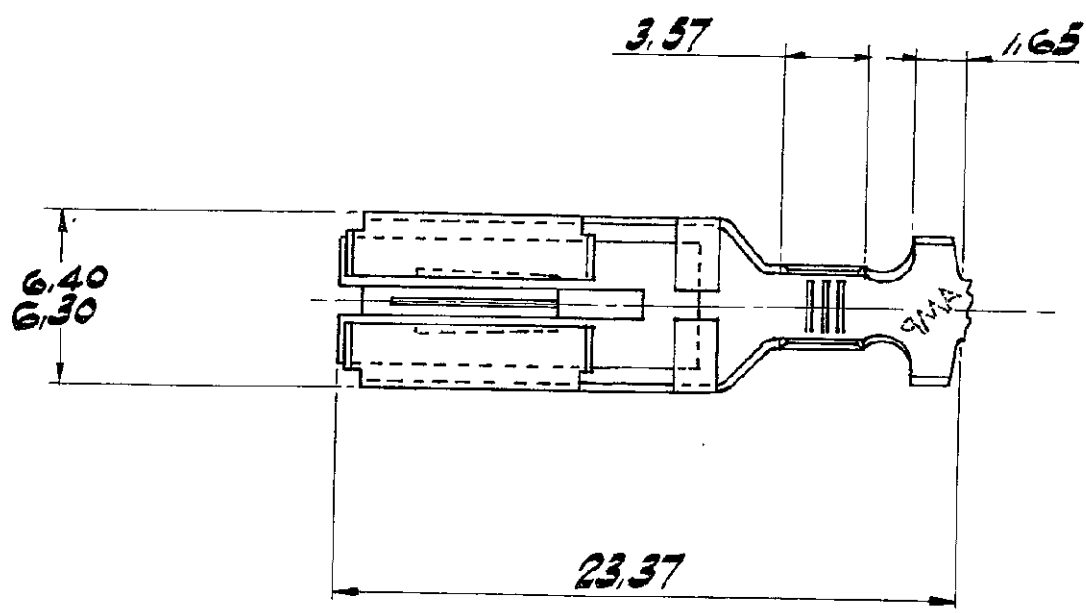


NUMBER  
C342414

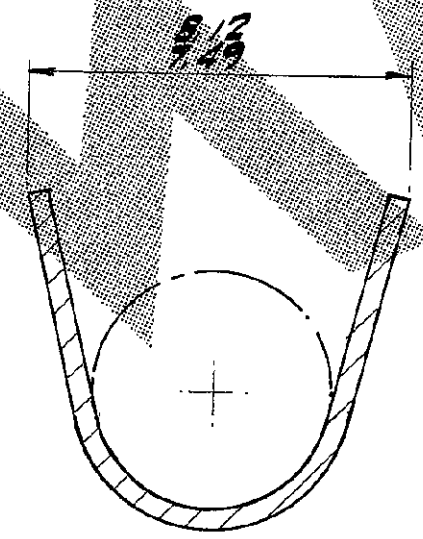
3rd ANGLE (AMERICAN) PROJECTION

METRIC

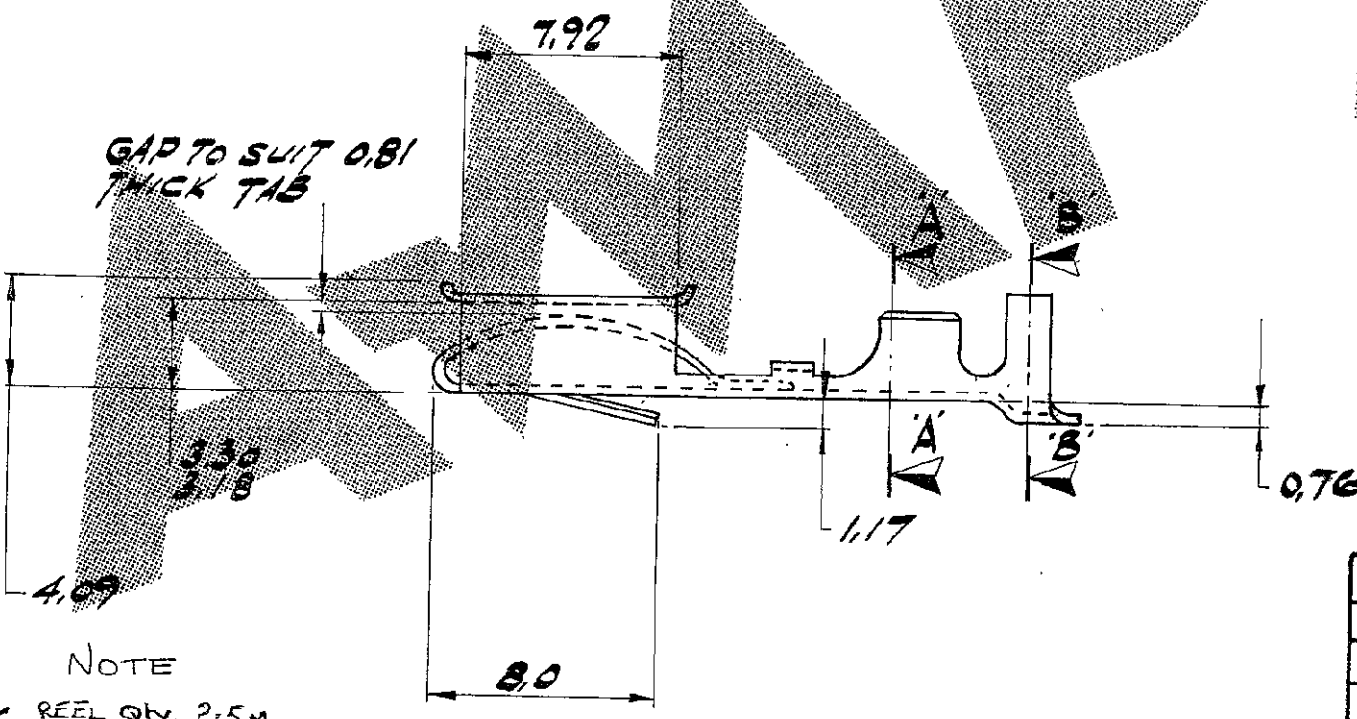
DIMENSIONS IN M.M DO NOT SCALE PRINT



SECTION A-A  
N.T.S.



SECTION B-B  
N.T.S.



GAP TO SUIT 0.81 THICK TAB

NOTE  
REEL QTY. 2-5M

AMP

342875-4	342414-4	PHOS. BRONZE	PRE-TIN
342875-3	342414-3	PHOS. BRONZE	NONE
342875-2	342414-2	BRASS	PRE-TIN
342875-1	342414-1	BRASS	NONE
L.P. PART NO	STRIP PART NO	MATERIAL	FINISH

© AMP of GREAT BRITAIN LTD 1982				CUSTOMER COPY REFERENCE ONLY				
E	SEE ECN ER00-0159-00	K.11	10-3-00	MATERIAL AND FINISH 0.40THICK STOCK		AMP of Great Britain Ltd.		TERMINAL HOUSE, STANMORE, MIDD.
3	L.P. NOS ADDED	MW	6-3-85	SEE TABLE.		CLASS		
2	3.0-5.3mm <sup>2</sup> WAS 12-10 SET AMP LOGO AT 4.5°	J.C.	11.2.83	WIRE - RANGE - INSULATION 3.0-5.3mm <sup>2</sup> 33-49		TYPE		
1	FIRST DRAWN	C.S.	15.6.82	TOLERANCE EXCEPT AS NOTED ± 0.5		SCALE 4:1	LOC E B	NO C342414
ISS REVISION RECORD				DR	CHK	DATE		
DR	SL/UGH	6/6/82	DE	K. J. [Signature]		7.91		
CHK	[Signature]	25/6/82	APP					

RECEPTACLE

## X-ON Electronics

Largest Supplier of Electrical and Electronic Components

*Click to view similar products for [Automotive Connectors](#) category:*

*Click to view products by [TE Connectivity](#) manufacturer:*

Other Similar products are found below :

[003-018-000](#) [600858](#) [60403001](#) [60993906-B](#) [60993913-B](#) [629515004020001](#) [M902-2131](#) [M902-2161](#) [M902-2344](#) [72.330.1035.1](#)  
[73.353.4028.0](#) [F118010](#) [F119300-B](#) [F132210](#) [F132210-B](#) [F166900](#) [F180100](#) [F258300](#) [F258300-B](#) [F294300-B](#) [F339100](#) [F339700](#) [F358300-](#)  
[B](#) [F374110](#) [F407400](#) [F412210](#) [F427600](#) [F444110](#) [F487000](#) [F495100-B](#) [F500900-B](#) [F509500B-B](#) [770444-1](#) [776880-1](#) [827153-1](#) [881735-1](#)  
[8N1515-32-24P](#) [9-1326727-8](#) [9-1326729-8](#) [925467-1](#) [925474-1](#) [928905-1](#) [936398-2](#) [964562-1](#) [964562-4](#) [964731-2](#) [965051-1](#) [968782-1](#)  
[GT17SA-8DS-HU](#) [GT17VS-10DP-5.2CF](#)