

THIS DRAWING IS UNPUBLISHED.



RELEASED FOR PUBLICATION

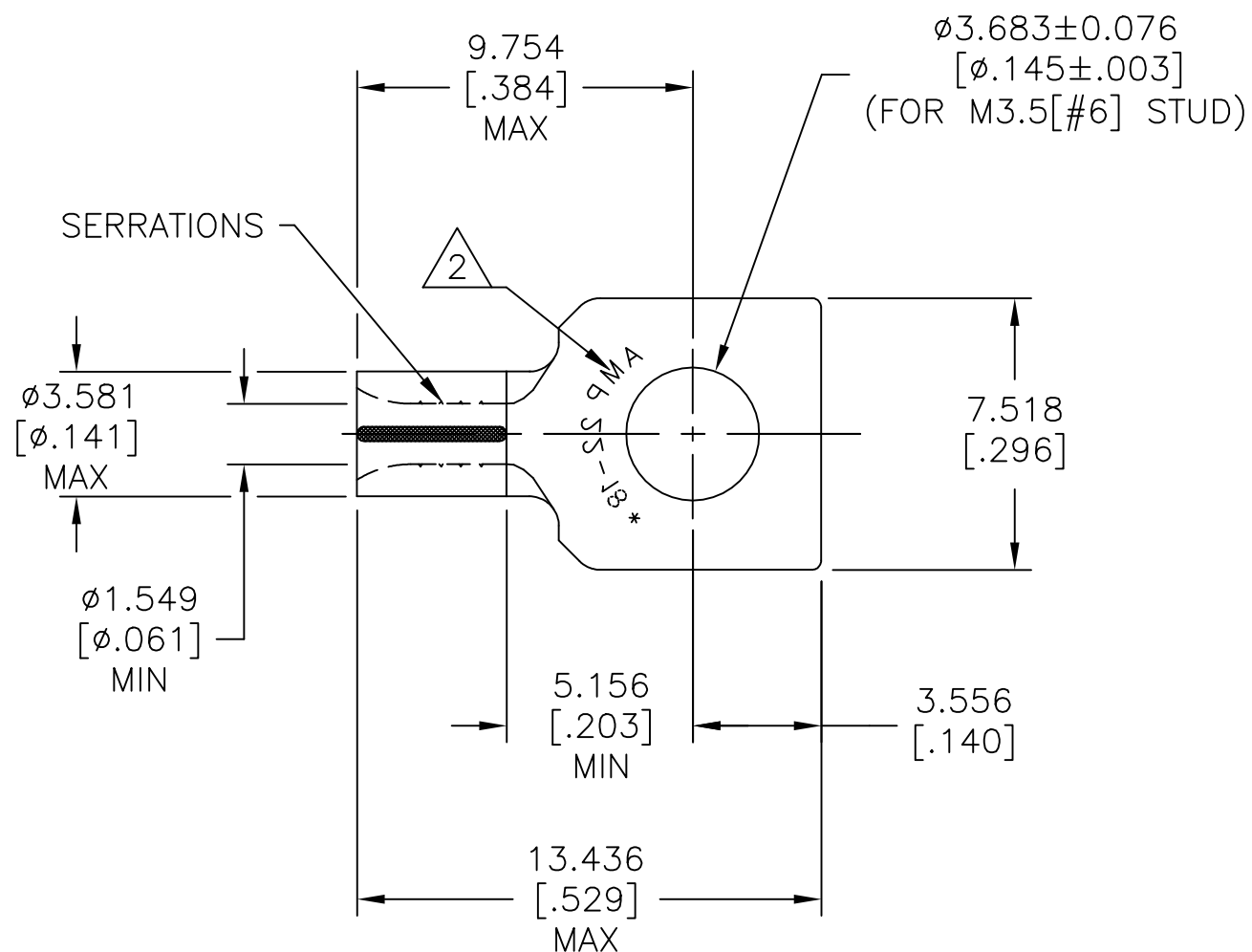
ALL RIGHTS RESERVED.

© COPYRIGHT - By -

REVISIONS

P	LTR	DESCRIPTION	DATE	DWN	APVD
	C2	REVISED PER ECO-13-019588	13DEC2013	KH	DR
	C3	REVISED PER ECO-17-008808	08FEB2018	RS	DR

 E13288 Listed	 LR7189 Certified
22-16 AWG SOLID OR STARNDDED	22-16 AWG SOLID OR STARNDDED



- 1 MATERIAL: COPPER 0.787±0.051 [.031±.002] THK (ASTM-B152)  
FINISH: TIN PLATE (ASTM-B545)  
ANNEALED
- 2 MARKING 22-18 FOR MILITARY  
COMMERCIAL RANGE 22-16

1000	LOOSE PIECE	34263
QTY	PACKAGE TYPE	PART NO

AMP INCORPORATED  
CUSTOMER SERVICE SYSTEMS

THIS DRAWING IS A CONTROLLED DOCUMENT.

DWN RAGHAVENDRA 03JUL09

CHK JEFF RUTH 03JUL09

APVD TOM MICHIELUTTI 03JUL09

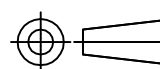
 TE Connectivity Ltd.

FOR ADDITIONAL  
PRODUCT INFORMATION OR  
COPIES OF DRAWINGS  
AND TECHNICAL DOCUMENTS  
PRODUCT INFORMATION CENTER  
1-800-522-6752

MAX RECOMMENDED OPERATING  
TEMPERATURE:  
170°C [338°F] MAX

DIMENSIONS:  
mm [INCHES]

TOLERANCES UNLESS  
OTHERWISE SPECIFIED:



0 PLC	± -
1 PLC	± -
2 PLC	± -
3 PLC	± 0.127[.005]
4 PLC	± -
ANGLES	± .5°

NAME  
WIRE TERMINAL, SOLISTRAND,  
RECTANGULAR TONGUE WIRE SIZE: 22-16

FOR APPLICATION  
TOOLING INFORMATION  
TOOLING ASSISTANCE CENTER  
1-800-722-1111

VOLTAGE RATING:  
NOT APPLICABLE

MATERIAL

FINISH

FOR ORDER ENTRY  
1-800-526-5142

WIRE CROSS SECTIONAL AREA RANGE,  
0.26-1.65mm<sup>2</sup>[509-3,260] CIR MILS  
SOLID OR STRANDED



PRODUCT SPEC

UL 486 A-B

APPLICATION SPEC

WEIGHT

SIZE	CAGE CODE	DRAWING NO	RESTRICTED TO
A3	00779	C=34263	-

CUSTOMER DRAWING SCALE 5:1 SHEET 1 OF 1 REV C3

## X-ON Electronics

Largest Supplier of Electrical and Electronic Components

*Click to view similar products for [Terminals](#) category:*

*Click to view products by [TE Connectivity](#) manufacturer:*

Other Similar products are found below :

[00-054007-01074-6](#) [00-054007-70206-1](#) [00-054007-70210-8](#) [00-054007-70217-7](#) [00-054007-70226-9](#) [00-054007-70228-3](#) [00-054007-70248-1](#) [00-054007-70256-6](#) [00-054007-70301-3](#) [00-054007-70316-7](#) [0-0320562-0](#) [00-054007-49560-4](#) [00-054007-70209-2](#) [00-054007-70225-2](#) [00-054007-70227-6](#) [00-054007-70231-3](#) [00-054007-70241-2](#) [00-054007-70242-9](#) [00-054007-70244-3](#) [00-054007-70246-7](#) [00-054007-70263-4](#) [00-054007-70288-7](#) [00-054007-70290-0](#) [00-054007-70300-6](#) [00-054007-70304-4](#) [01-2065-1-0216](#) [01-2900-1-04412](#) [00581P0075](#) [600TS-10](#) [60205-1](#) [604200-1](#) [605601-1](#) [60598-1-CUT-TAPE](#) [61314-6-C](#) [61810-3](#) [61-S](#) [61-SN](#) [626-0194](#) [62-NBM-A](#) [62-SN](#) [62-SP](#) [63-S](#) [640179-1](#) [M55155/059I03](#) [M55155/079C01](#) [M55155/099H02](#) [M55155/109H01](#) [M55155/109H02](#) [M55155/12XH05](#) [M55155/16XH02](#)