

4

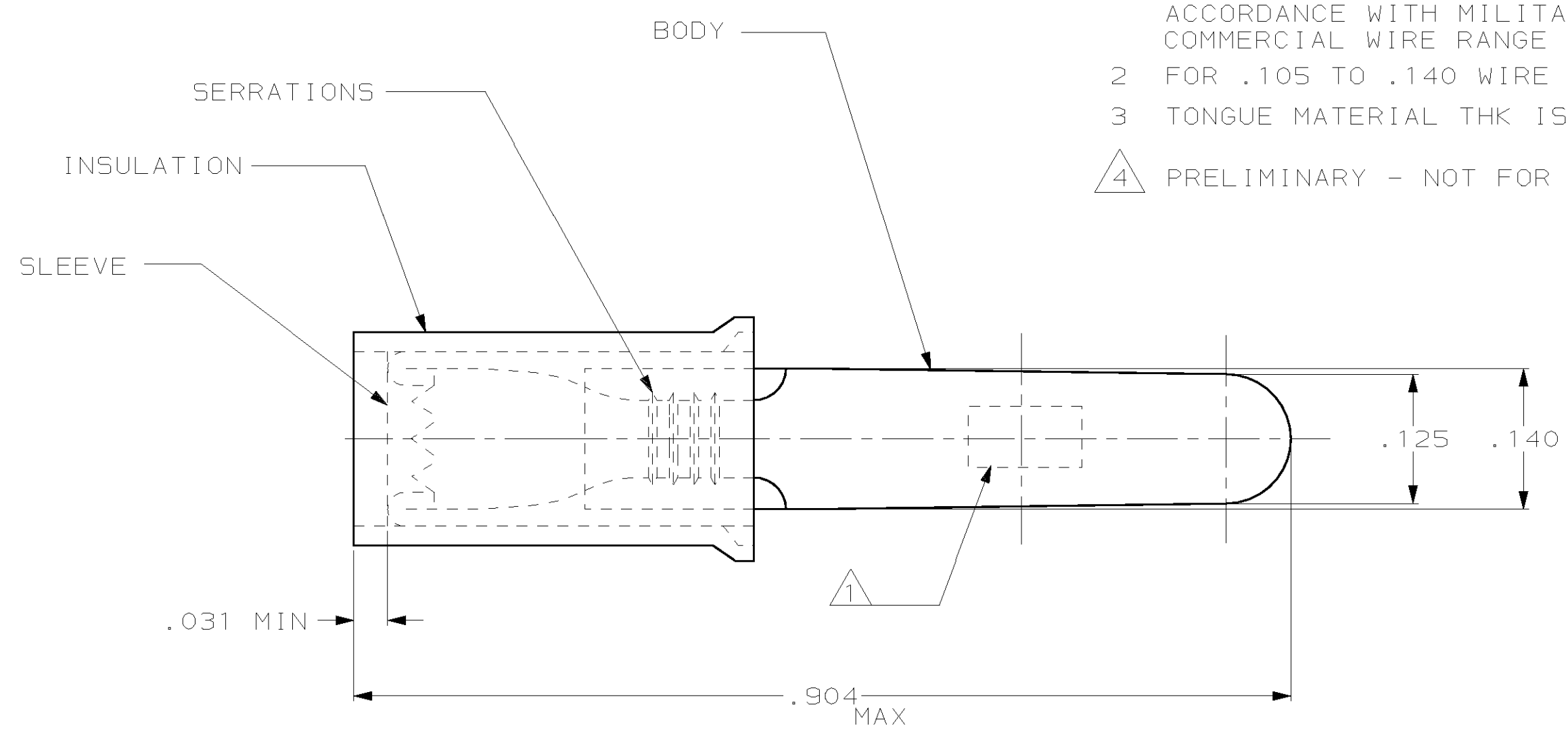
3

2

1

THIS DRAWING IS UNPUBLISHED. RELEASED FOR PUBLICATION ,19 .
 © COPYRIGHT 19 BY AMP INCORPORATED. ALL RIGHTS RESERVED.

LOC	DIST	REVISIONS					
		P	LTR	DESCRIPTION	DATE	DWN	APVD
G	14		J	REDRAWN PER 0G3A-0249-01	03APR01	JR	TM



- 1 STAMPED AMP 22-18*, APPROX AS SHOWN. 22-16 TERMINALS ARE STAMPED 22-18 IN ACCORDANCE WITH MILITARY SPEC MIL-T-7928 COMMERCIAL WIRE RANGE 22-16
- 2 FOR .105 TO .140 WIRE INSULATION DIA.
- 3 TONGUE MATERIAL THK IS .031±.002.
- 4 PRELIMINARY - NOT FOR PRODUCTION

100	LOOSE PIECE, BOX	8-34294-1	BODY: COPPER PER ASTM B152 TIN PLATE PER ASTM B545	
5000	ON TAPE, REEL	2-34294-1	SLEEVE: COPPER PER ASTM B152 TIN PLATE PER ASTM B545	
1000	LOOSE PIECE	34294	INSULATION: NYLON, COLOR - RED	
QTY	PACKAGE TYPE	PART NO.	MATERIAL & FINISH	
THIS DRAWING IS A CONTROLLED DOCUMENT.		DWN JR RUTH 03APR01	AMP Incorporated Harrisburg, PA 17105-3608	
		CHK MS FEHER 03APR01		
DIMENSIONS: INCHES		TOLERANCES UNLESS OTHERWISE SPECIFIED:		NAME WIRE TERMINAL, PIDG, RECTANGULAR TAB, WIRE SIZE: 22-16
		0 PLC ±- 1 PLC ±- 2 PLC ±- 3 PLC ±.008 4 PLC ±- ANGLES ±5°		
MATERIAL -		FINISH -		SIZE A3
		WEIGHT -		CAGE CODE 00779
		CUSTOMER DRAWING		DRAWING NO C- 34294
		SCALE 8:1		RESTRICTED TO -
		SHEET 1 OF 1		REV J

X-ON Electronics

Largest Supplier of Electrical and Electronic Components

Click to view similar products for [Terminals](#) category:

Click to view products by [TE Connectivity](#) manufacturer:

Other Similar products are found below :

[00-054007-01074-6](#) [00-054007-70206-1](#) [00-054007-70210-8](#) [00-054007-70217-7](#) [00-054007-70226-9](#) [00-054007-70228-3](#) [00-054007-70248-1](#) [00-054007-70256-6](#) [00-054007-70301-3](#) [00-054007-70316-7](#) [0-0320562-0](#) [00-054007-49560-4](#) [00-054007-70209-2](#) [00-054007-70225-2](#) [00-054007-70227-6](#) [00-054007-70231-3](#) [00-054007-70241-2](#) [00-054007-70242-9](#) [00-054007-70244-3](#) [00-054007-70246-7](#) [00-054007-70263-4](#) [00-054007-70288-7](#) [00-054007-70290-0](#) [00-054007-70300-6](#) [00-054007-70304-4](#) [01-2065-1-0216](#) [01-2900-1-04412](#) [00581P0075](#) [600TS-10](#) [60205-1](#) [604200-1](#) [605601-1](#) [60598-1-CUT-TAPE](#) [61314-6-C](#) [61810-3](#) [61-S](#) [61-SN](#) [626-0194](#) [62-NBM-A](#) [62-SN](#) [62-SP](#) [63-S](#) [640179-1](#) [M55155/059I03](#) [M55155/079C01](#) [M55155/099H02](#) [M55155/109H01](#) [M55155/109H02](#) [M55155/12XH05](#) [M55155/16XH02](#)