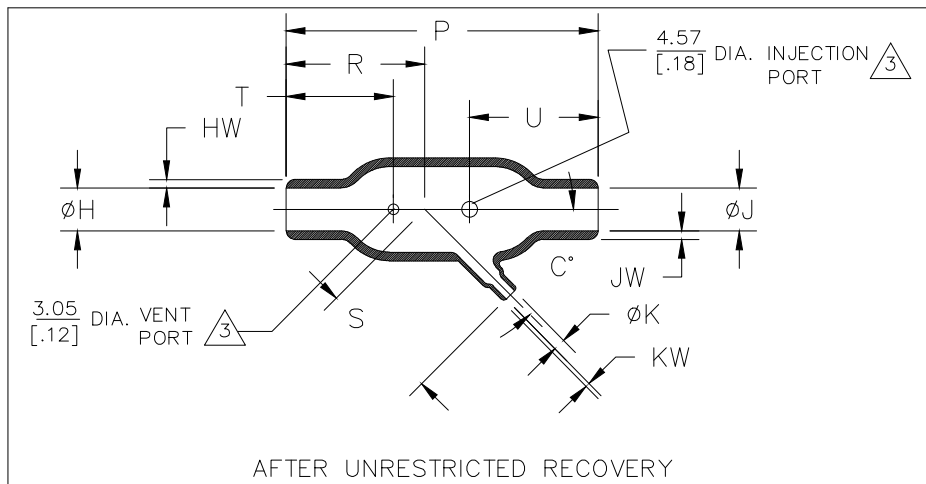
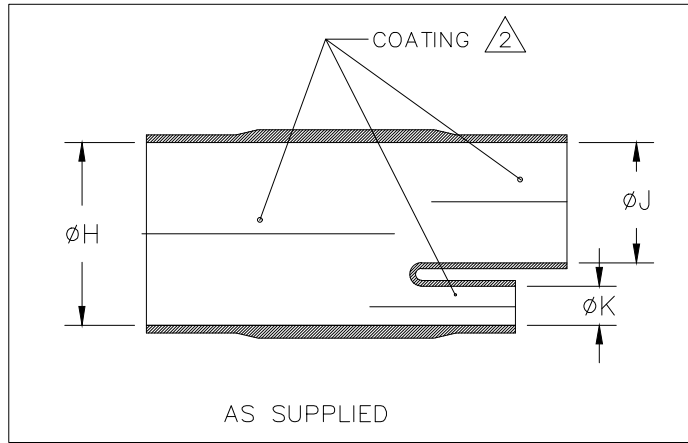


| REVISIONS | | | | | |
|-----------|-----|------------------|-----------|-----|------|
| P | LTR | DESCRIPTION | DATE | DWN | APVD |
| P | | PRODUCTION ISSUE | 30JAN2019 | PNT | MT |



| PART DESCRIPTION | H & J | | K | | P | R | S | T | U | HW & JW | KW | C° | WEIGHT REF |
|------------------|----------------|----------------|----------------|---------------|-----------------|----------------|----------------|----------------|----------------|---------------|---------------|-----|------------------|
| | MIN | MAX | MIN | MAX | ±10% | ±10% | ±10% | ±10% | ±10% | ±20% | ±20% | ±5° | lb/[gms] |
| | a | b | a | b | b | b | b | b | b | b | b | b | b |
| 342A012 | 13.2 [.52] | 6.9 [.27] | 6.6 [.26] | 3.6 [.14] | 49.3 [1.94] | 22.9 [.90] | 23.4 [.92] | 19.6 [.77] | 19.6 [.77] | 1.52 [.06] | 1.02 [.04] | 45° | 2.72 [.006] |
| 342A024 | 26.9 [1.06] | 12.7 [.50] | 6.6 [.26] | 3.6 [.14] | 92.5 [3.64] | 41.1 [1.62] | 35.8 [1.41] | 31.8 [1.25] | 39.6 [1.56] | 2.54 [.10] | 1.02 [.04] | 45° | 16.33 [.036] |
| 342A034 | 26.9 [1.06] | 13.7 [.54] | 13.2 [.52] | 6.1 [.24] | 144.8 [5.70] | 69.9 [2.75] | 53.6 [2.11] | 50.8 [2.00] | 50.8 [2.00] | 2.54 [.10] | 1.52 [.06] | 45° | 24.95 [.055] |
| 342A048 | 55.6 [2.19] | 26.9 [1.06] | 13.2 [.52] | 6.9 [.27] | 184.9 [7.28] | 83.3 [3.28] | 71.9 [2.83] | 63.5 [2.50] | 63.5 [2.50] | 4.57 [.18] | 1.52 [.06] | 45° | 124.28 [.274] |
| 342A058 | 55.6 [2.19] | 26.9 [1.06] | 26.9 [1.06] | 13.7 [.54] | 203.5 [8.01] | 95.5 [3.76] | 93.0 [3.66] | 66.0 [2.60] | 66.0 [2.60] | 4.57 [.18] | 2.54 [.10] | 45° | 148.78 [.328] |

RELEASED FOR PUBLICATION

ALL RIGHTS RESERVED.

THIS DRAWING IS UNPUBLISHED.

© COPYRIGHT - TE Connectivity Ltd.

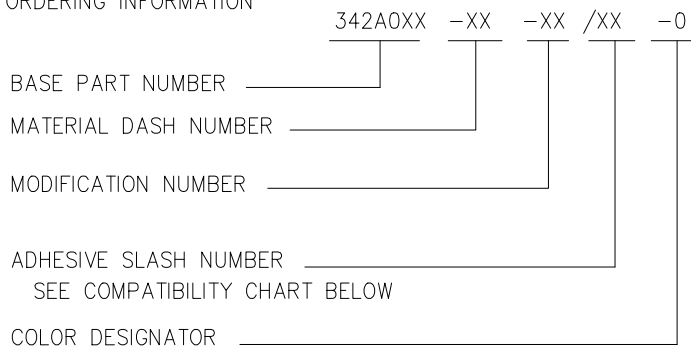
| | | | | |
|--|------------------|-----------|-------------------------------|----------------|
| DIMENSIONS: mm [INCHES] | DWN | 30JAN2019 | MATERIAL | FINISH |
| | PRAVEEN N T | | SEE SHEET 2 | - |
| TOLERANCES UNLESS OTHERWISE SPECIFIED: | CHK | 30JAN2019 | TE Connectivity Ltd. | |
| | N NAGAR | | | |
| 0 PLC ± - 1 PLC ± 0.50[.1] 2 PLC ± 0.25[.01] 3 PLC ± 0.13[.005] 4 PLC ± - ANGLES ± 1° | APVD | 30JAN2019 | NAME TRANSITION, 45 DEGREE | |
| | M TAYLOR | | | |
| WEIGHT | PRODUCT SPEC | - | SIZE | RESTRICTED TO |
| | APPLICATION SPEC | - | A4 | - |
| CUSTOMER DRAWING | | | CAGE CODE | DRAWING NO |
| | | | 00779 | C-342A0XX-XX-0 |
| SCALE | | | SHEET | REV |
| DNS | | | 1 OF 2 | P |

| REVISIONS | | | | | |
|-----------|-----|-------------|------|-----|------|
| P | LTR | DESCRIPTION | DATE | DWN | APVD |
| | - | SEE SHEET 1 | - | - | - |

COMPATIBILITY CHART

| MATERIAL DASH NO. | MATERIAL DESCRIPTION | RT SPEC | COATING SLASH NO. | COATING S NO. |
|-------------------|--------------------------------------|---------|-------------------|-------------------|
| -3 | Polyolefin, Semi-rigid | RT-301 | /42;/86;/180 | S1017;S1048;S1030 |
| -4 | Polyolefin, Flexible | RT-1304 | /42;/86;/180 | S1017;S1048;S1030 |
| -12 | Fluoroelastomer, Flexible | RT-1312 | N/A | N/A |
| -25 | Elastomer, Fluid Resistant | RW-2070 | /42;/86;/225 | S1017;S1048;S1206 |
| -100 | Polyolefin, Semi-flexible Zerohal | RW-2082 | /86;/180 | S1048;S1030 |

ORDERING INFORMATION



NOTES:

- DIMENSIONS APPEARING IN TABLE ARE AS FOLLOWS:
 a - AS SUPPLIED
 b - AFTER UNRESTRICTED RECOVERY
- COATING (ADHESIVE) IS OPTIONAL. AS SUPPLIED DIMENSIONS APPEARING IN TABLE ARE FOR UNCOATED PARTS. WHEN COATING IS ADDED, ENTRY DIAMETER WILL BE REDUCED BY 1.5mm[.06]MAX. COATING DIMENSIONS CH & CJ WILL BE 12.7[.50] MIN AND CK WILL BE 3.0[.12]MIN.
- MOLDING PORTS ARE OPTIONAL. WHEN -00 MODIFICATION NUMBER IS SPECIFIED, MOLDING PORTS WILL BE LOCATED AS SHOWN.

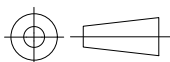
RELEASED FOR PUBLICATION

ALL RIGHTS RESERVED.

© COPYRIGHT - TE Connectivity Ltd.

THIS DRAWING IS UNPUBLISHED.

| | | | | | | |
|--|--------------------|-----------|-------------------------------|-----------|-----------------|---------------|
| DIMENSIONS: mm [INCHES] | DWN PRAVEEN N T | 30JAN2019 | MATERIAL | - | FINISH | - |
| | CHK N NAGAR | 30JAN2019 | TE Connectivity Ltd. | | | |
| TOLERANCES UNLESS OTHERWISE SPECIFIED: | APVD M TAYLOR | 30JAN2019 | | | | |
| 0 PLC ± - | PRODUCT SPEC | - | NAME TRANSITION, 45 DEGREE | | | |
| 1 PLC ± 0.50[.1] | APPLICATION SPEC | - | SIZE | CAGE CODE | DRAWING NO | RESTRICTED TO |
| 2 PLC ± 0.25[.01] | WEIGHT | - | A4 | 00779 | C= 342A0XX-XX-0 | - |
| 3 PLC ± 0.13[.005] | CUSTOMER DRAWING | | | | | |
| 4 PLC ± - | SCALE | | | | DNS | SHEET 2 OF 2 |
| ANGLES ± 1° | | | | | | REV P |



X-ON Electronics

Largest Supplier of Electrical and Electronic Components

Click to view similar products for [Heat Shrink Cable Boots & End Caps](#) category:

Click to view products by [TE Connectivity](#) manufacturer:

Other Similar products are found below :

[577159N001](#) [645494-000](#) [CX4132-000](#) [687025-000](#) [705331-000](#) [718446-000](#) [725666N001](#) [729257-000](#) [F27131-000](#) [F85868-000](#) [770-003S106W2](#) [770-013210W1](#) [770-013311](#) [770-013312](#) [806542N001](#) [807507-000](#) [808362-000](#) [808618-000](#) [809125-000](#) [809130-000](#) [809218-000](#) [812014-000](#) [812047-000](#) [813166-000](#) [813767N002](#) [814741-000](#) [819117N001](#) [823026-000](#) [823070-000](#) [841189N001](#) [861471-000](#) [866647-000](#) [879515-000](#) [937577-000](#) [957073-000](#) [982033-2](#) [A77813-000](#) [R280576000](#) [D96192-000](#) [163549-000](#) [EN3BOOTLKIT](#) [MTPSRBCL-C](#) [1954015-1](#) [200W531-3-0](#) [202A163-4-0-CS5067](#) [202A343-3-00-0](#) [202B221-13-0](#) [202B231-13-0](#) [202B563-25-07-0](#) [202C241-13-0](#)