

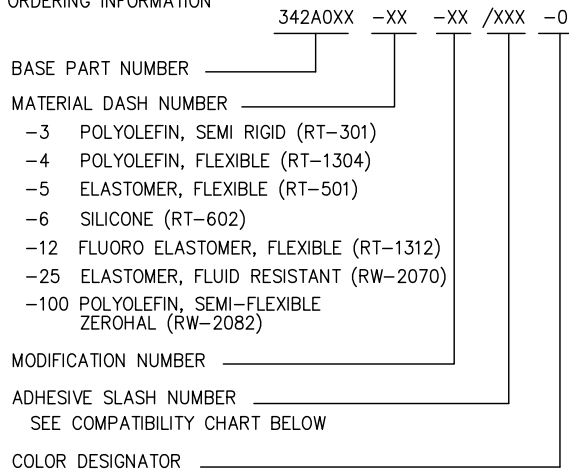
NOTES:

- ALL DIMENSIONS ARE IN $\frac{\text{INCHES}}{\text{MILLIMETERS}}$
- DIMENSIONS APPEARING IN TABLE ARE AS FOLLOWS:
 - a - AS SUPPLIED
 - b - AFTER UNRESTRICTED RECOVERY

3. COATING (ADHESIVE) IS OPTIONAL. AS SUPPLIED DIMENSIONS APPEARING IN TABLE ARE FOR UNCOATED PARTS. WHEN COATING IS ADDED, ENTRY DIAMETER WILL BE REDUCED BY .06 [1.5] MAX. COATING DIMENSIONS CH & CJ WILL BE .50 [12.7] MIN AND CK WILL BE .12 [3.0] MIN.

4. MOLDING PORTS ARE OPTIONAL. WHEN -00 MODIFICATION NUMBER IS SPECIFIED, MOLDING PORTS WILL BE LOCATED AS SHOWN.

5. ORDERING INFORMATION



| REVISIONS | | |
|-----------|---------------------------|---------|
| LTR | DESCRIPTION | DATE |
| N | REVISED PER ECO-13-011740 | 7/11/13 |

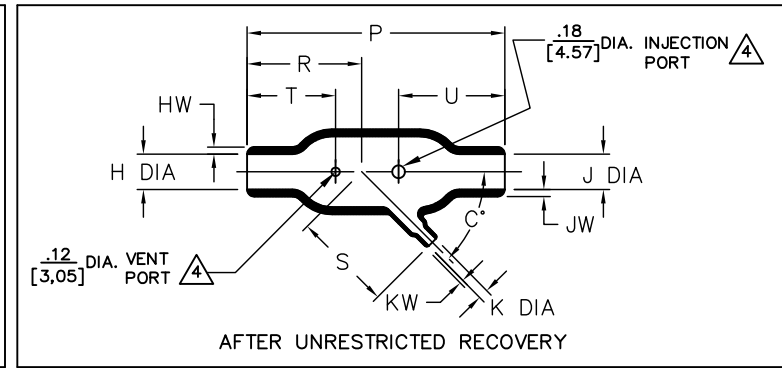
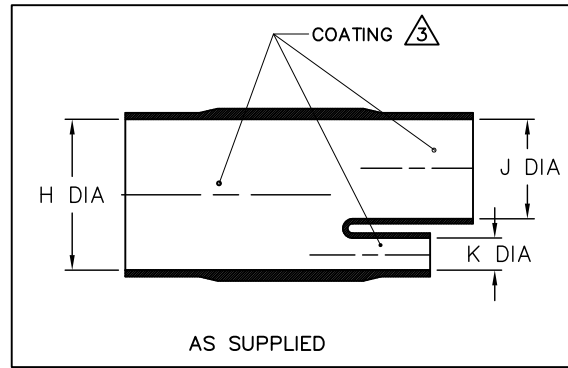


TABLE OF DIMENSIONS

| PART DESCRIPTION | H & J | | K | | P | R | S | T | U | HW & JW | KW | C* | WEIGHT |
|------------------|----------------|----------------|----------------|---------------|-----------------|----------------|----------------|----------------|----------------|---------------|---------------|-----|------------------|
| | MIN | MAX | MIN | MAX | ±10% | ±10% | ±10% | ±10% | ±10% | ±20% | ±20% | ±5° | REF |
| | a | b | a | b | b | b | b | b | b | b | b | b | b |
| 342A012 | .52 [13,2] | .27 [6,9] | .26 [6,6] | .14 [3,6] | 1.94 [49,3] | .90 [22,9] | .92 [23,4] | .77 [19,6] | .77 [19,6] | .06 [1,52] | .04 [1,02] | 45° | .006 [2,72] |
| 342A024 | 1.06 [26,9] | .50 [12,7] | .26 [6,6] | .14 [3,6] | 3.64 [92,5] | 1.62 [41,1] | 1.41 [35,8] | 1.25 [31,8] | 1.56 [39,6] | .10 [2,54] | .04 [1,02] | 45° | .036 [16,33] |
| 342A034 | 1.06 [26,9] | .54 [13,7] | .52 [13,2] | .24 [6,1] | 5.70 [144,8] | 2.75 [69,9] | 2.11 [53,6] | 2.00 [50,8] | 2.00 [50,8] | .10 [2,54] | .06 [1,52] | 45° | .055 [24,95] |
| 342A048 | 2.19 [55,6] | 1.06 [26,9] | .52 [13,2] | .27 [6,9] | 7.28 [184,9] | 3.28 [83,3] | 2.83 [71,9] | 2.50 [63,5] | 2.50 [63,5] | .18 [4,57] | .06 [1,52] | 45° | .274 [124,28] |
| 342A058 | 2.19 [55,6] | 1.06 [26,9] | 1.06 [26,9] | .54 [13,7] | 8.01 [203,5] | 3.76 [95,5] | 3.66 [93,0] | 2.60 [66,0] | 2.60 [66,0] | .18 [4,57] | .10 [2,54] | 45° | .328 [148,78] |

COMPATIBILITY CHART

| MATERIAL DASH NO. | ADHESIVE (COATING) SLASH NUMBER | ADHESIVE (COATING) S NUMBER |
|-------------------|---------------------------------|-----------------------------|
| -3 | /42; /86; /180 | S-1017; S-1048; S-1030 |
| -4 | /42; /86; | S-1017; S-1048; |
| -5 | /42; | S-1017; |
| -6 | N/A | N/A |
| -12 | N/A | N/A |
| -25 | /42; /86; /225 | S-1017; S-1048; S-1206 |
| -100 | /86; /180 | S-1048; S-1030 |

IF THIS DOCUMENT IS PRINTED IT BECOMES UNCONTROLLED. CHECK FOR THE LATEST REVISION.

Raychem Molded Parts
CUSTOMER DRAWING

UNLESS OTHERWISE SPECIFIED DIMENSIONS ARE INCHES. METRIC DIMENSIONS ARE IN BRACKETS.
DECIMAL TOLERANCES
.XXX ± 0.005 [0.13 mm]
.XX ± 0.01 [0.25 mm]
.X ± 0.1 [0.50 mm]
ANGLE TOLERANCE
.X ± 1 DEG.

DRAWN
UNGUYEN
APPROVED
DHURRELL



TE Connectivity



| | | |
|----------------------------|--------------------------|----------------------------|
| TITLE TRANSITION, 45DEG | | |
| SIZE B | CODE IDENT. NO. 06090 | DWG. NO. 342A012thru058 |

X-ON Electronics

Largest Supplier of Electrical and Electronic Components

Click to view similar products for [Heat Shrink Cable Boots & End Caps](#) category:

Click to view products by [TE Connectivity](#) manufacturer:

Other Similar products are found below :

[577159N001](#) [645494-000](#) [CX4132-000](#) [687025-000](#) [705331-000](#) [718446-000](#) [725666N001](#) [729257-000](#) [F27131-000](#) [F85868-000](#) [770-003S106W2](#) [770-013210W1](#) [770-013311](#) [770-013312](#) [806542N001](#) [807507-000](#) [808362-000](#) [808618-000](#) [809125-000](#) [809130-000](#) [809218-000](#) [812014-000](#) [812047-000](#) [813166-000](#) [813767N002](#) [814741-000](#) [819117N001](#) [823026-000](#) [823070-000](#) [841189N001](#) [861471-000](#) [866647-000](#) [879515-000](#) [937577-000](#) [957073-000](#) [982033-2](#) [A77813-000](#) [R280576000](#) [D96192-000](#) [163549-000](#) [EN3BOOTLKIT](#) [MTPSRBCL-C](#) [1954015-1](#) [200W531-3-0](#) [202A163-4-0-CS5067](#) [202A343-3-00-0](#) [202B221-13-0](#) [202B231-13-0](#) [202B563-25-07-0](#) [202C241-13-0](#)