

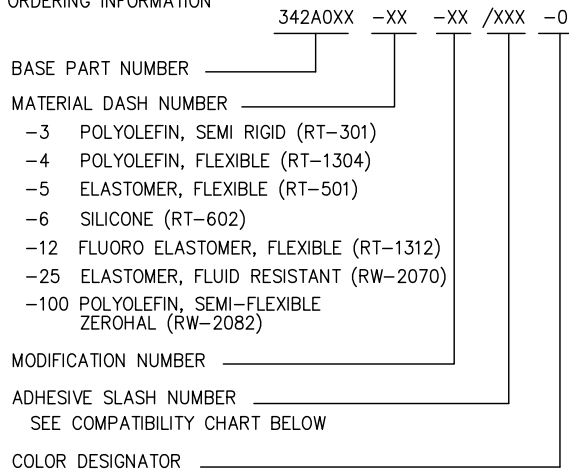
NOTES:

- ALL DIMENSIONS ARE IN $\frac{\text{INCHES}}{\text{MILLIMETERS}}$
- DIMENSIONS APPEARING IN TABLE ARE AS FOLLOWS:
 - AS SUPPLIED
 - AFTER UNRESTRICTED RECOVERY

3. COATING (ADHESIVE) IS OPTIONAL. AS SUPPLIED DIMENSIONS APPEARING IN TABLE ARE FOR UNCOATED PARTS. WHEN COATING IS ADDED, ENTRY DIAMETER WILL BE REDUCED BY .06 [1.5] MAX. COATING DIMENSIONS CH & CJ WILL BE .50 [12.7] MIN AND CK WILL BE .12 [3.0] MIN.

4. MOLDING PORTS ARE OPTIONAL. WHEN -00 MODIFICATION NUMBER IS SPECIFIED, MOLDING PORTS WILL BE LOCATED AS SHOWN.

5. ORDERING INFORMATION



- 3 POLYOLEFIN, SEMI RIGID (RT-301)
- 4 POLYOLEFIN, FLEXIBLE (RT-1304)
- 5 ELASTOMER, FLEXIBLE (RT-501)
- 6 SILICONE (RT-602)
- 12 FLUORO ELASTOMER, FLEXIBLE (RT-1312)
- 25 ELASTOMER, FLUID RESISTANT (RW-2070)
- 100 POLYOLEFIN, SEMI-FLEXIBLE ZEROHAL (RW-2082)

| REVISIONS | | |
|-----------|---------------------------|---------|
| LTR | DESCRIPTION | DATE |
| N | REVISED PER ECO-13-011740 | 7/11/13 |

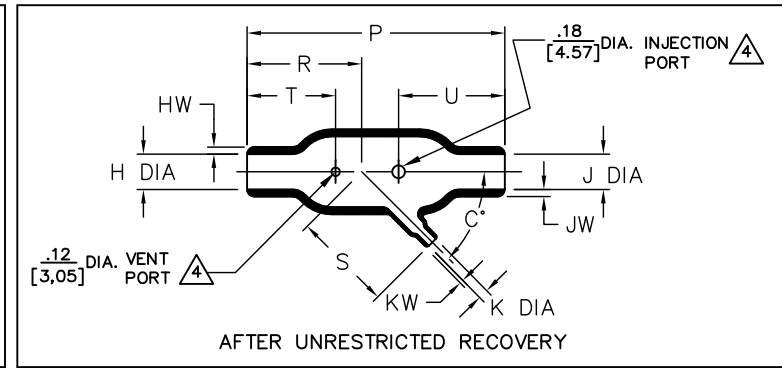
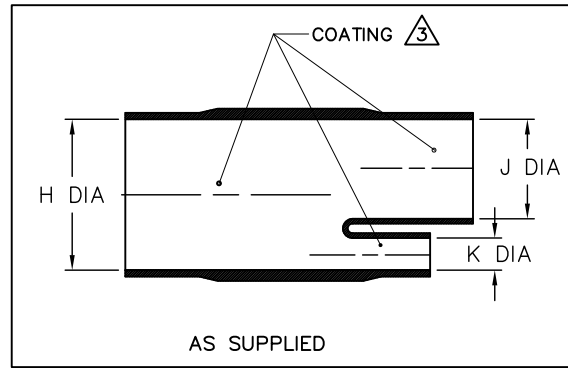


TABLE OF DIMENSIONS

| PART DESCRIPTION | H & J | | K | | P | R | S | T | U | HW & JW | KW | C° | WEIGHT |
|------------------|----------------|----------------|----------------|---------------|-----------------|----------------|----------------|----------------|----------------|---------------|---------------|-----|------------------|
| | MIN | MAX | MIN | MAX | ±10% | ±10% | ±10% | ±10% | ±10% | ±20% | ±20% | ±5° | REF |
| | a | b | a | b | b | b | b | b | b | b | b | b | b |
| 342A012 | .52 [13,2] | .27 [6,9] | .26 [6,6] | .14 [3,6] | 1.94 [49,3] | .90 [22,9] | .92 [23,4] | .77 [19,6] | .77 [19,6] | .06 [1,52] | .04 [1,02] | 45° | .006 [2,72] |
| 342A024 | 1.06 [26,9] | .50 [12,7] | .26 [6,6] | .14 [3,6] | 3.64 [92,5] | 1.62 [41,1] | 1.41 [35,8] | 1.25 [31,8] | 1.56 [39,6] | .10 [2,54] | .04 [1,02] | 45° | .036 [16,33] |
| 342A034 | 1.06 [26,9] | .54 [13,7] | .52 [13,2] | .24 [6,1] | 5.70 [144,8] | 2.75 [69,9] | 2.11 [53,6] | 2.00 [50,8] | 2.00 [50,8] | .10 [2,54] | .06 [1,52] | 45° | .055 [24,95] |
| 342A048 | 2.19 [55,6] | 1.06 [26,9] | .52 [13,2] | .27 [6,9] | 7.28 [184,9] | 3.28 [83,3] | 2.83 [71,9] | 2.50 [63,5] | 2.50 [63,5] | .18 [4,57] | .06 [1,52] | 45° | .274 [124,28] |
| 342A058 | 2.19 [55,6] | 1.06 [26,9] | 1.06 [26,9] | .54 [13,7] | 8.01 [203,5] | 3.76 [95,5] | 3.66 [93,0] | 2.60 [66,0] | 2.60 [66,0] | .18 [4,57] | .10 [2,54] | 45° | .328 [148,78] |

COMPATIBILITY CHART

| MATERIAL DASH NO. | ADHESIVE (COATING) SLASH NUMBER | ADHESIVE (COATING) S NUMBER |
|-------------------|---------------------------------|-----------------------------|
| -3 | /42; /86; /180 | S-1017; S-1048; S-1030 |
| -4 | /42; /86; | S-1017; S-1048; |
| -5 | /42; | S-1017; |
| -6 | N/A | N/A |
| -12 | N/A | N/A |
| -25 | /42; /86; /225 | S-1017; S-1048; S-1206 |
| -100 | /86; /180 | S-1048; S-1030 |

IF THIS DOCUMENT IS PRINTED IT BECOMES UNCONTROLLED. CHECK FOR THE LATEST REVISION.

Raychem Molded Parts
CUSTOMER DRAWING

UNLESS OTHERWISE SPECIFIED DIMENSIONS ARE INCHES. METRIC DIMENSIONS ARE IN BRACKETS.

DECIMAL TOLERANCES

.XXX ± 0.005 [0.13 mm]
.XX ± 0.01 [0.25 mm]
.X ± 0.1 [0.50 mm]

ANGLE TOLERANCE

X ± 1 DEG.

DRAWN
UNGUYEN

APPROVED
DHURRELL



TE Connectivity

TITLE
TRANSITION, 45DEG

SIZE B CODE IDENT. NO. 06090 DWG. NO. 342A012thru058

TE CONNECTIVITY RESERVES THE RIGHT TO AMEND THIS DRAWING AT ANY TIME. USERS SHOULD EVALUATE THE SUITABILITY OF THE PRODUCT FOR THEIR APPLICATION.



X-ON Electronics

Largest Supplier of Electrical and Electronic Components

Click to view similar products for [Cable Boots](#) category:

Click to view products by [TE Connectivity](#) manufacturer:

Other Similar products are found below :

[618235-000](#) [622A014-3-0](#) [CX4132-000](#) [879515-000](#) [982033-2](#) [R280576000](#) [1300830729](#) [EN3BOOTLKIT](#) [MTPSRBCL-C](#) [1811481-1](#)
[200W531-3-0](#) [202A121-386-0](#) [202A142-4-00/42-0](#) [202A163-4-0-CS5067](#) [202B221-13-0](#) [202B231-13-0](#) [202B563-25-07-0](#)
[202C621710CS5361](#) [202D132-4-07/42-0](#) [202D221-4-0-CS5349](#) [202D221-4-26-0](#) [202D263-25-08-0](#) [202D263-4-22/42-0](#) [202D263-4-88-0](#)
[202D921-2542-0](#) [202E336-71-0](#) [202F211-50-22-0-CS8474](#) [202F242-50-05-0](#) [202F242-51-04/164-0](#) [202K121-25-CS-1858-0](#) [202K121-25-](#)
[CS-2062-0](#) [202K132-25-01/225-0CS8387](#) [202K153-3-0186-0](#) [202S132-25-UP-0](#) [203W301-3/42-0](#) [207W613-100/184-0-CS5657](#) [207W623-](#)
[100-01/184-0](#) [207W634-100/184-0-CS5657](#) [207W656-100-01/184-0](#) [207W667-100-01/184-0](#) [207W667-100/184-0](#) [208A011-3-0](#) [208A021-3-](#)
[0](#) [221A011-51164-0-CS7133](#) [222A121-2586](#) [222A152-342-0](#) [222A213-25-0-CS5613](#) [222D221-25-13/86-0](#) [222D232-4-61-0-CS5078](#)
[222D253-100-22-0](#)