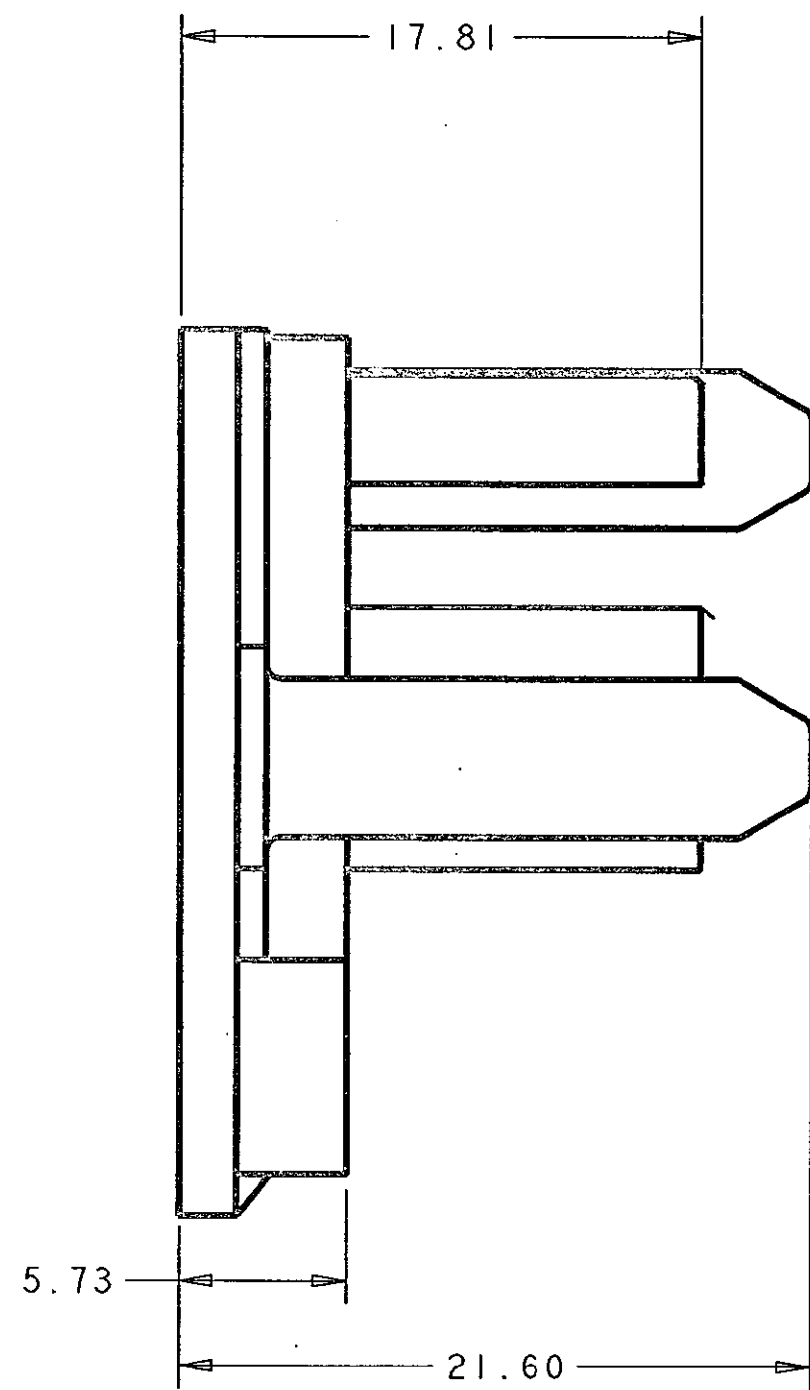
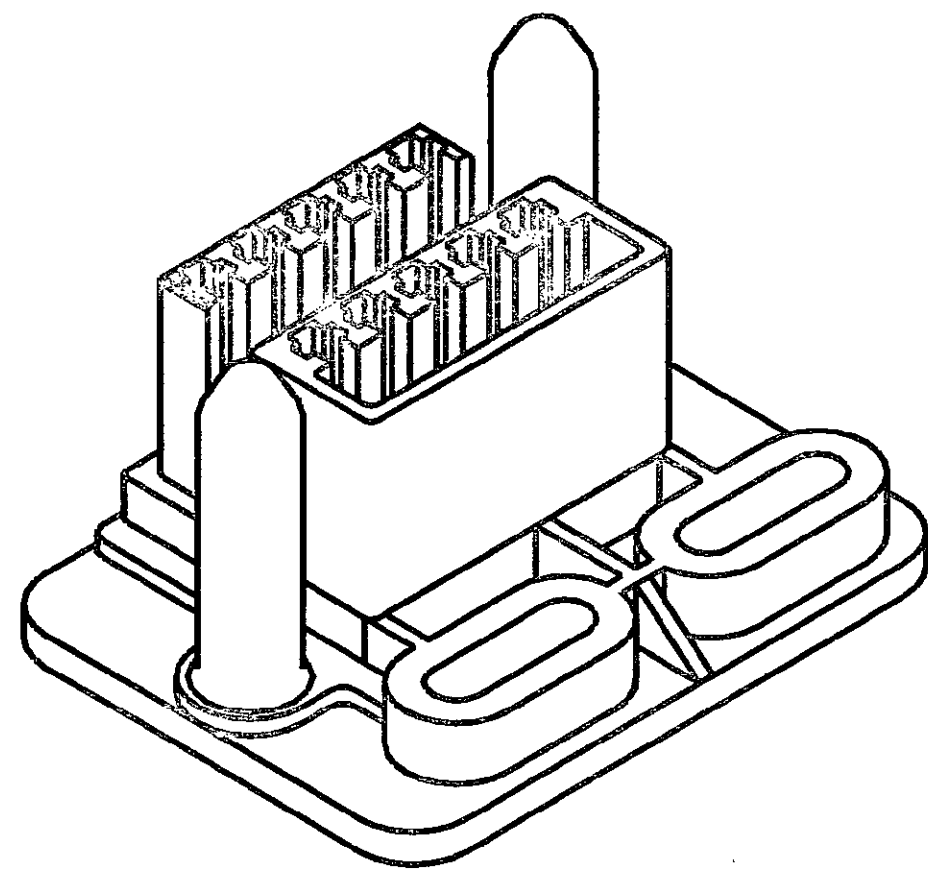


C.A.D. FILE CODE
C343347.A

DO NOT SCALE DIMENSIONS IN MM.



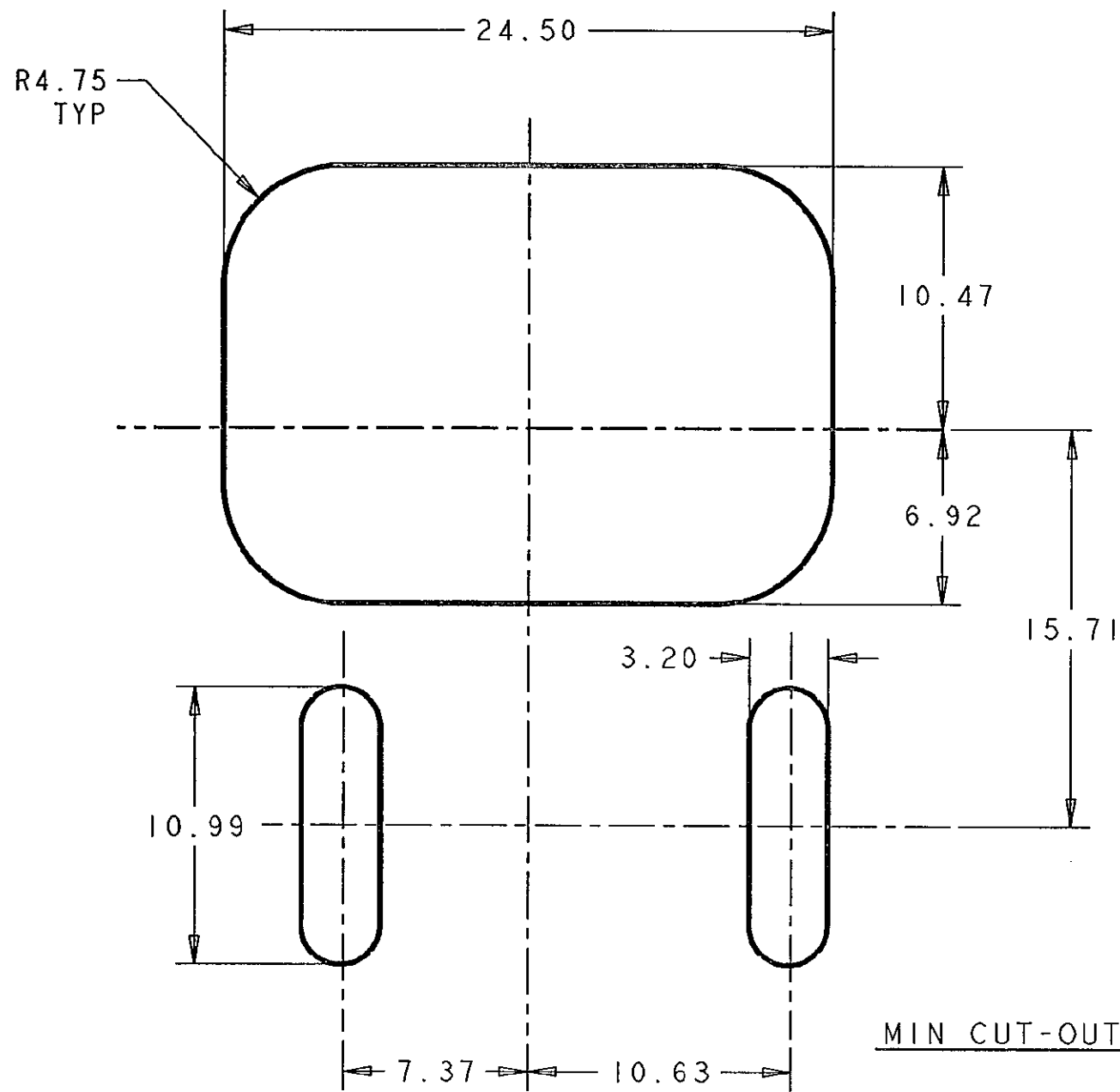
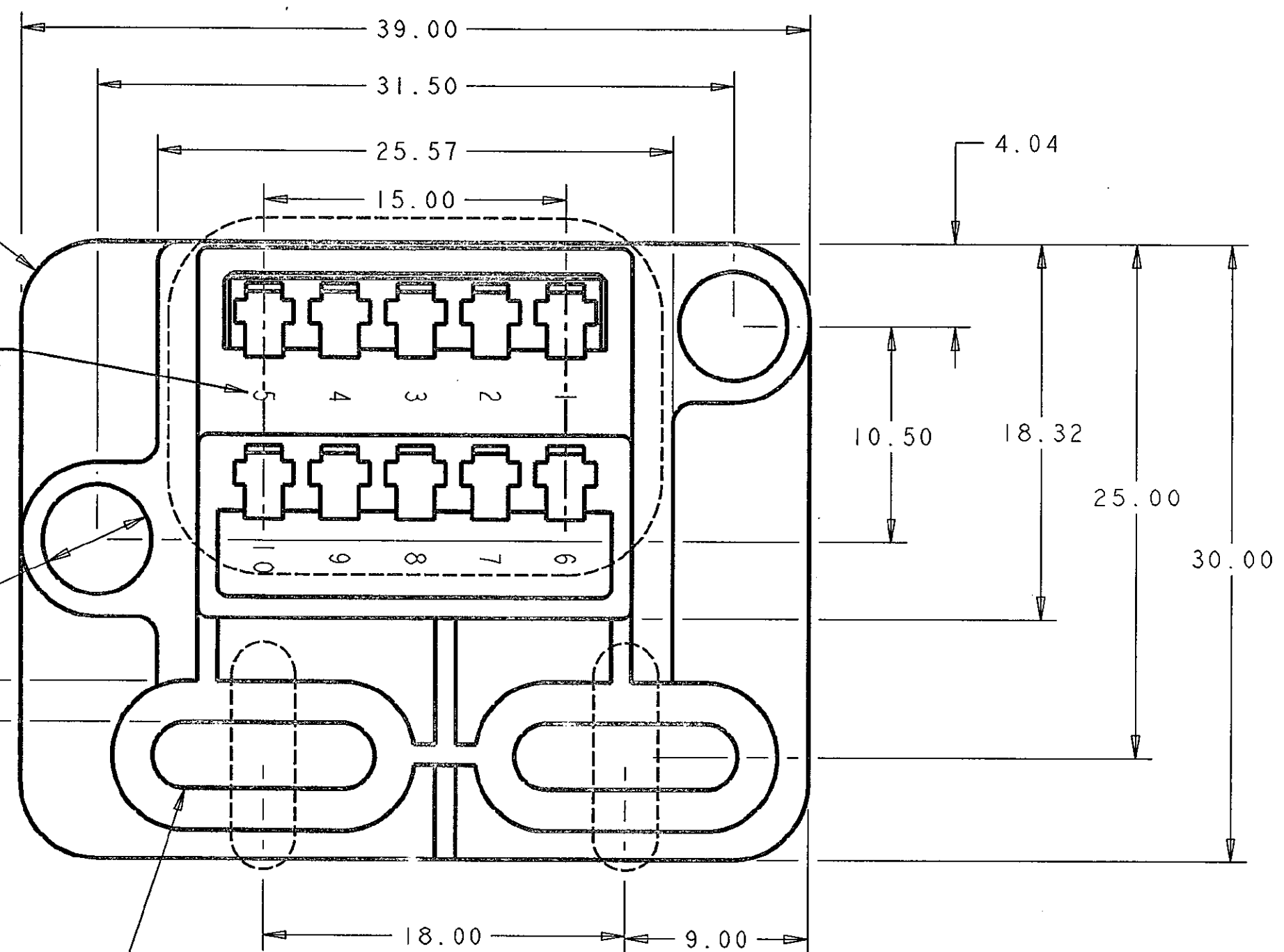
R3.75
CIRCUIT IDENT
SHOWN ON FRONT
AND BACK OF
HOUSING

R3.75

5.35DIA

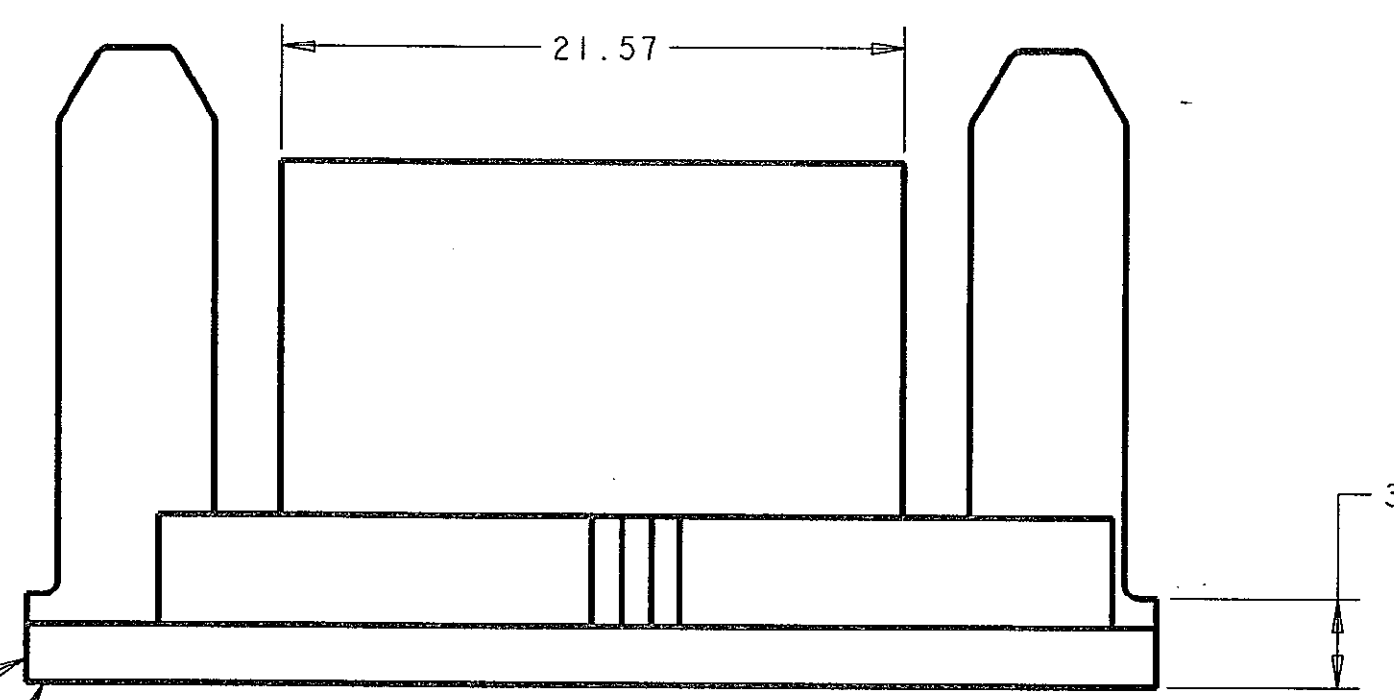
2.00

2-SLOTS 3.2 WIDE x 11 LONG



MIN CUT-OUT DIMS

⚠ MOULDING AS -1 BUT WITH GATE
BURR TRIMMED



| | | |
|--|--|------------------|
| BLACK | 30% GF PBT UL 94 V0 | 343347-2 |
| BLACK | 30% GF PBT UL 94 V0 | 343347-1 |
| FINISH | MATERIAL | PART NUMBER |
| CUSTOMER DWG FOR REFERENCE ONLY | | |
| THIS INFORMATION IS CONFIDENTIAL AND IS DISCLOSED TO YOU ON CONDITION THAT NO FURTHER DISCLOSURE IS MADE BY YOU TO OTHER THAN AMP PERSONNEL WITHOUT WRITTEN AUTHORIZATION FROM AMP OF GREAT BRITAIN LTD. | | |
| TOLERANCES UNLESS OTHERWISE STATED: DEC ± 0.5 ANGLES ± 1° | DR. A. J. BEKEN | 22 FEB 1989 |
| | CH. R. W. BAKER | APP. R. W. BAKER |
| | TERMINAL HOUSE STANMORE MIDDX. | |
| NAME 10 WAY DRAWER CONN PLUG HOUSING | | |
| A A. J. BEKEN | eb00-0341-95 | 24-08-95 |
| 0 A. J. BEKEN | C5149 | 22-2-89 |
| REV APPROVED | ECN | DATE |
| 4/1 | E | A2 |
| SCALE | LOC | SIZE |
| DWG No. | REV | SHEET |
| C343347 | A | 1/1 |

X-ON Electronics

Largest Supplier of Electrical and Electronic Components

Click to view similar products for [Heavy Duty Power Connectors](#) category:

Click to view products by [TE Connectivity](#) manufacturer:

Other Similar products are found below :

[647757-1](#) [6643411-1](#) [6646058-2](#) [6646137-1](#) [6646138-1](#) [6646479-1](#) [6646608-1](#) [6646786-1](#) [6646940-1](#) [6651091-1](#) [6651525-1](#) [6651529-1](#)
[6651788-1](#) [696475-1](#) [702-32-01109](#) [703-25-02205](#) [73000005059](#) [73000005642](#) [73080255059](#) [73080965046](#) [765-15-0080A](#) [765-16-0080B](#)
[765-18-0080D](#) [829992-1](#) [902-77-02113](#) [PS00/A0620/6300](#) [PS25/A0420/63](#) [129-1J](#) [1409400](#) [AN0024023](#) [E6374G1](#) [e6389g2](#) [157-43GW8](#)
[MS3117-14AC](#) [1643543-1](#) [1650540-1](#) [1651811-2](#) [1766260-1](#) [1766282-1](#) [1766966-1](#) [1791340000](#) [NLDFT-3-BL-L-S120-M40A](#) [NLDFT-N-](#)
[W-L-C240-M40B](#) [NLS-2-R-C240-M40B](#) [NLS-N-W-C240-M40B](#) [NPS-3-BL-T6](#) [1986615-1](#) [2-1589900-8](#) [2199314-1](#) [KA8102](#)