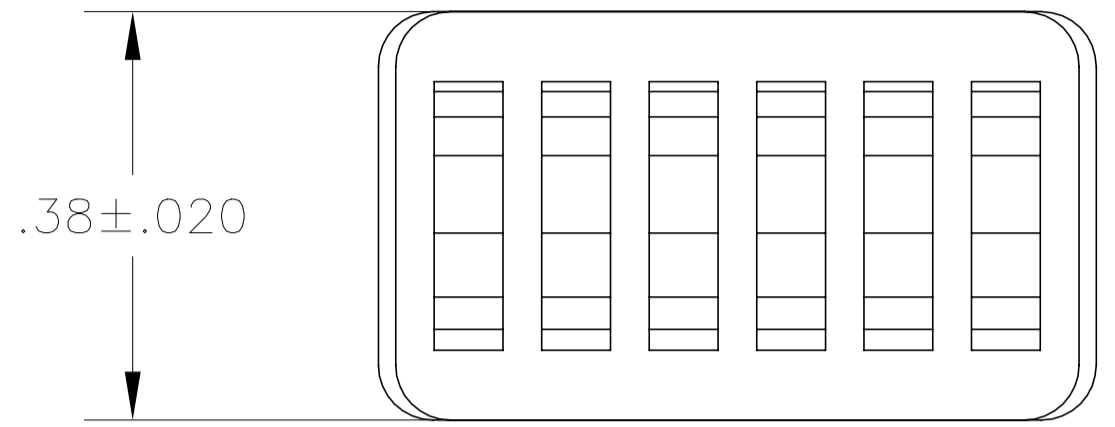


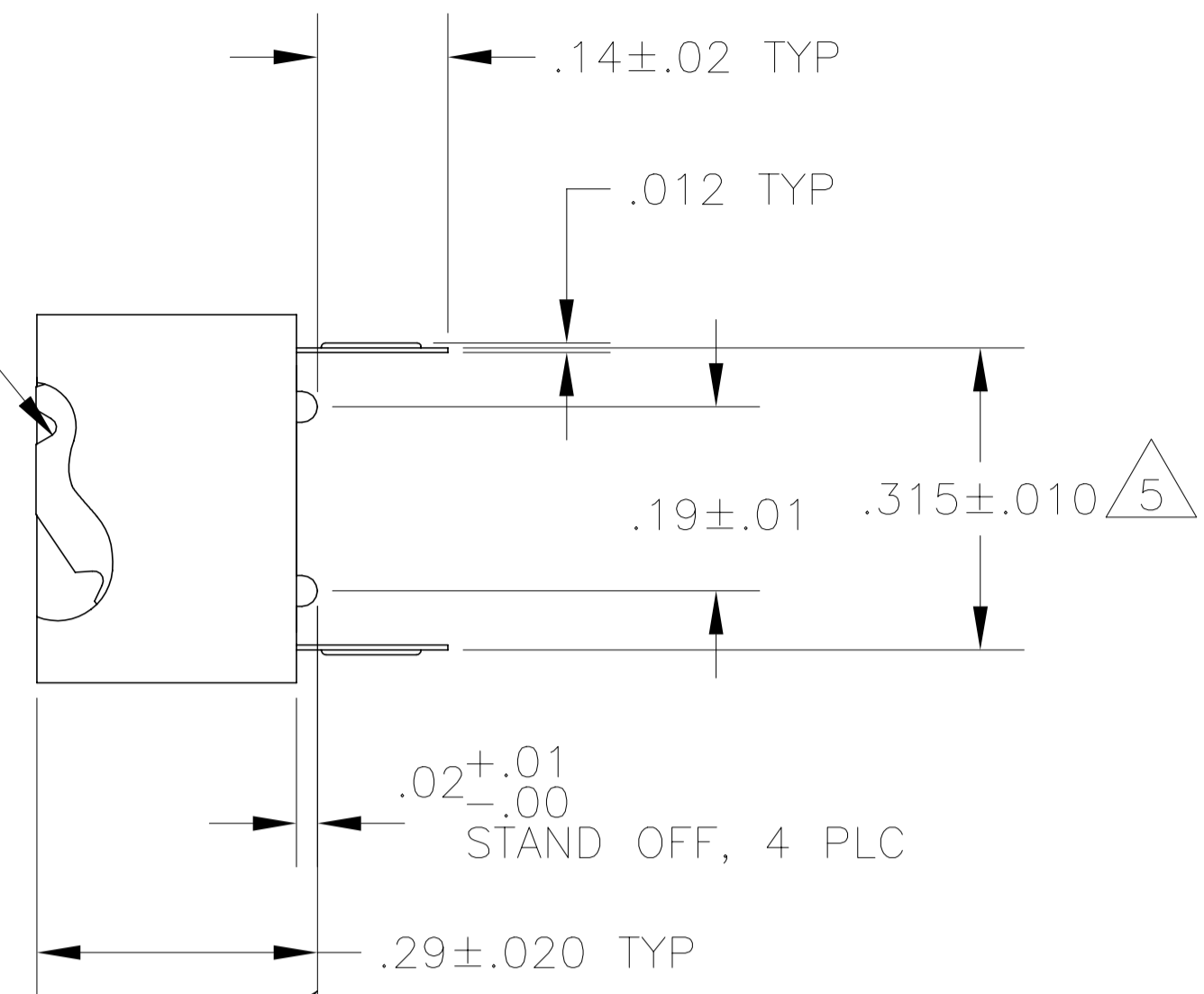
REVISIONS				
P	LTR	DESCRIPTION	DATE	APVD
	AN	ECO-20-004897	24AUG2020	SB JB

D

D



NOTCHES FOR
ROCKER ACTUATION

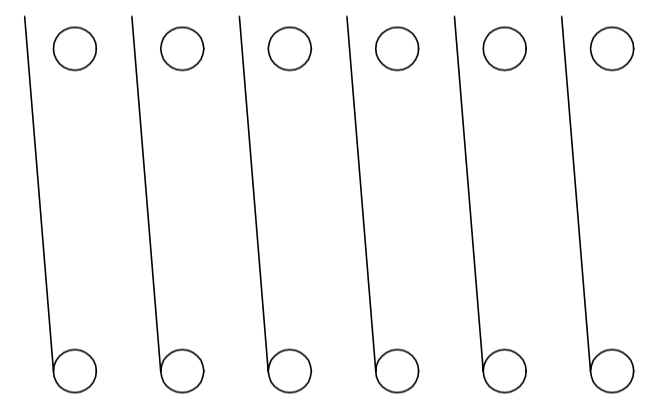
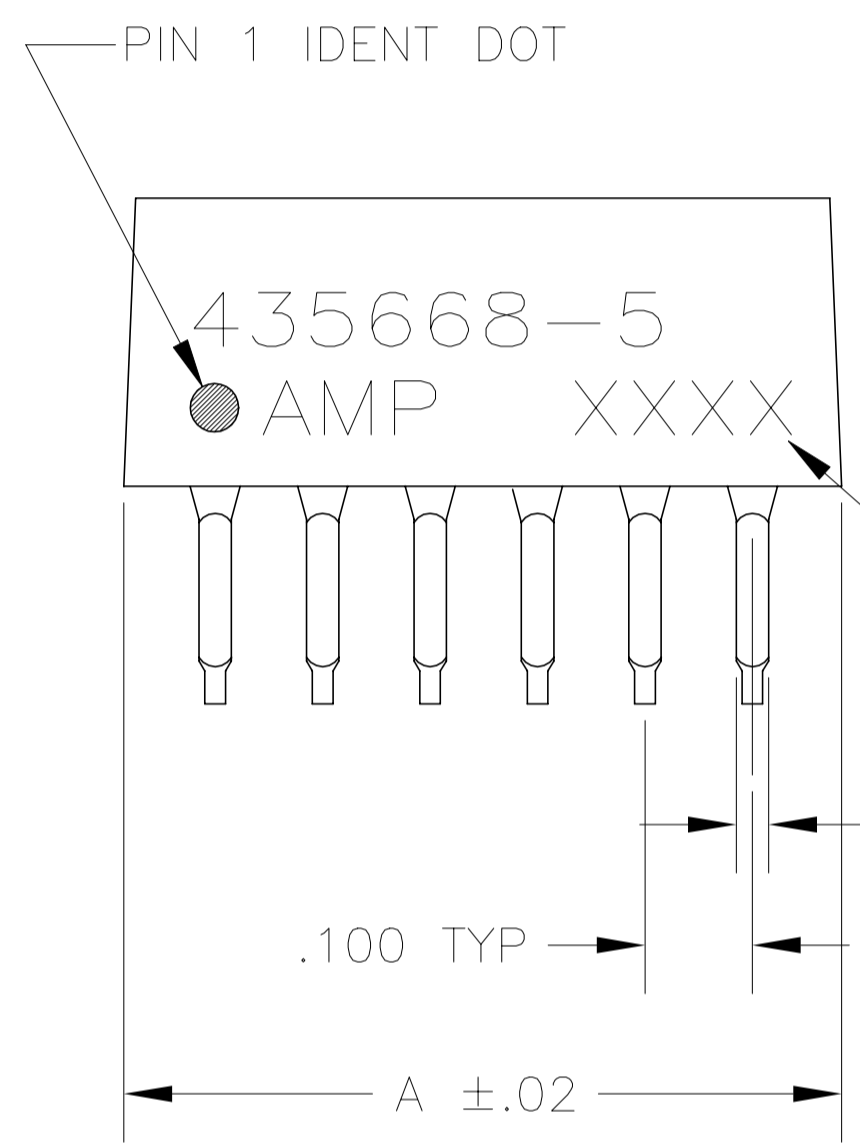


MOUNTING
SURFACE

1. FOR ADDITIONAL SPECIFICATIONS SEE AMP PRODUCT SPEC 108-7532.
2. SWITCH SHOWN IN OPEN POSITION.
3. ALL CHARACTERS AND ROCKERS ARE WHITE, HOUSING IS BLUE.
4. LASER MARKING WILL VARY ON 2 AND 3 POSITION SIDES DUE TO SPACE RESTRICTIONS.
5. .315 DIMENSION APPLIES AT TERMINAL TIPS. TERMINALS ARE $.300^{+.010}_{-.000}$ AT MOUNTING SURFACE.
6. OBSOLETE PARTS: OBSOLETE CIS STREAMLINING PER D.RENAUD/D.SINISI
7. MARKS WILL BE ADDED BY LASER MARK PROCESS.

C

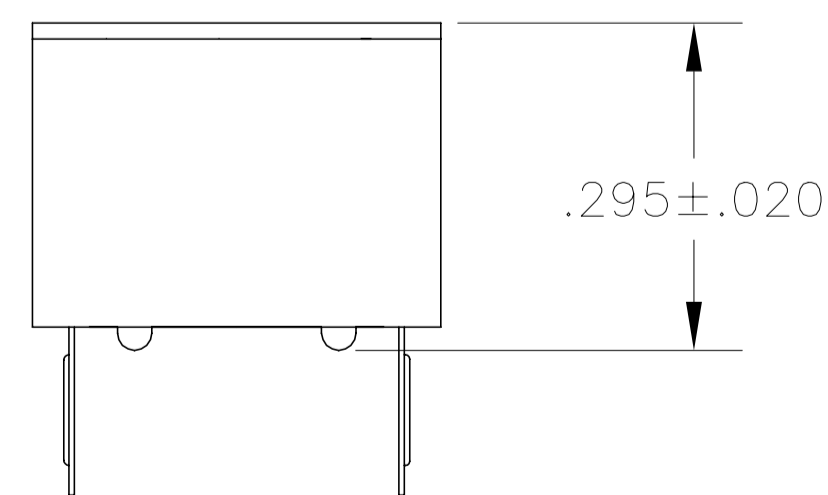
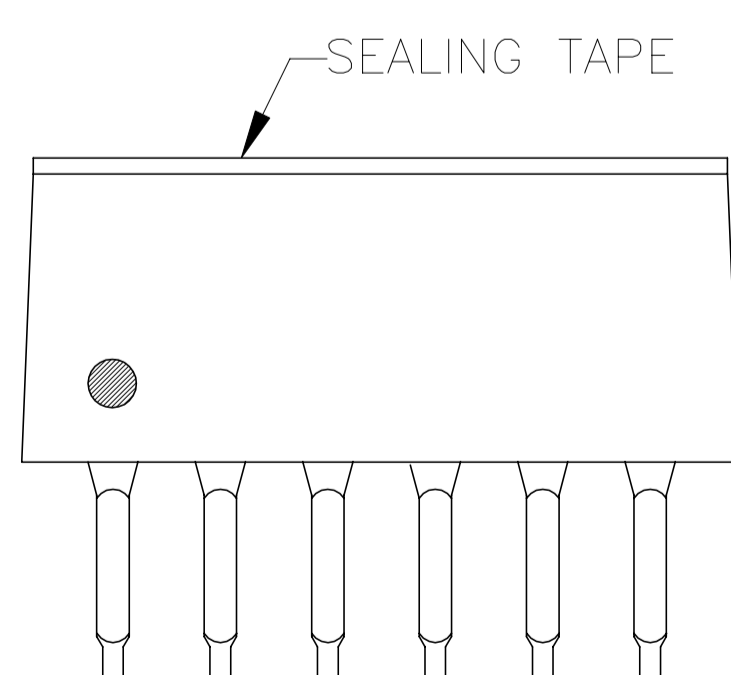
C



CONTACT ARRANGEMENT

B

B



435668-5 SHOWN

FIG1

SUPERSEDED BY 2-435668-5 FIG 3 & 4	6	OBSOLETE	FIG 7	—	.58	5	8-435668-7
		OBSOLETE	FIG 6		1.08		8-435668-6
		OBSOLETE	FIG 5		1.28	12	8-435668-5
		OBSOLETE				6	8-435668-3
		OBSOLETE			.48	4	8-435668-0
		OBSOLETE			.58	5	3-435668-5
		OBSOLETE			.48	4	3-435668-4
		OBSOLETE			.38	3	3-435668-3
		OBSOLETE			1.28	12	3-435668-2
		OBSOLETE			1.18	11	3-435668-1
SUPERSEDED BY 3-435668-2	6	OBSOLETE			1.08	10	3-435668-0
		OBSOLETE			.98	9	2-435668-9
		OBSOLETE			.88	8	2-435668-8
		OBSOLETE			.78	7	2-435668-7
		OBSOLETE			.28	2	2-435668-6
		OBSOLETE			.68	6	2-435668-5
		OBSOLETE			1.28	12	1-435668-1
		OBSOLETE			1.08	10	435668-9
		OBSOLETE			.98	9	435668-8
		OBSOLETE			.88	8	435668-7
SUPERSEDED BY 2-435668-7		OBSOLETE			.78	7	435668-6
		OBSOLETE			.68	6	435668-5
		OBSOLETE			.58	5	435668-4
		OBSOLETE			.48	4	435668-3
		OBSOLETE			.38	3	435668-2
		OBSOLETE			.28	2	435668-1
SUPERSEDED BY 3-435668-3	6	OBSOLETE			.28	2	435668-1
		OBSOLETE			.28	2	435668-1

MARKING	SEALING TAPE	A	NO OF POSN	PART NO
---------	--------------	---	------------	---------

A

A

THIS DRAWING IS A CONTROLLED DOCUMENT.		DWN R.TALLEY 02JAN90	TE Connectivity Ltd.		
DIMENSIONS: INCHES		CHK R.MILLER 03JAN90			
TOLERANCES UNLESS OTHERWISE SPECIFIED:		APVD H.LEITER 03JAN90	NAME		
0 PLC ± - 1 PLC ± - 2 PLC ± - 3 PLC ± .005 4 PLC ± - ± - ANGLES ± - ± -		PRODUCT SPEC	SWITCH ASSY, DIP, TYPE C, 7100 SERIES, SPST, LOW PROFILE		
MATERIAL HOUSING & ROCKERS: POLYESTER CONTACTS: COPPER ALLOY		APPLICATION SPEC	SIZE A2	CAGE CODE 00779	DRAWING NO C=435668
FINISH CONTACTS: PLATED .00030 MIN GOLD IN CONTACT AREA OVER .00050 MIN NICKEL		WEIGHT	RESTRICTED TO	SCALE 4:1	SHEET 1 of 2
CUSTOMER DRAWING			REV AN		

REVISIONS					
P	LTR	DESCRIPTION	DATE	DWN	APVD
-	-	SEE SHEET 1	-	-	-

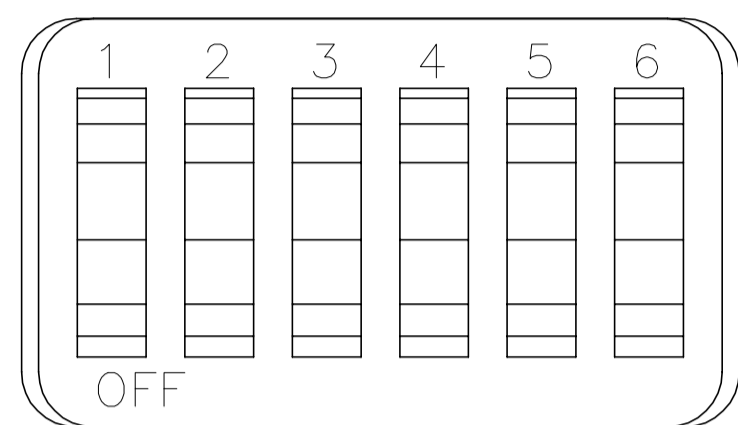


FIG 2

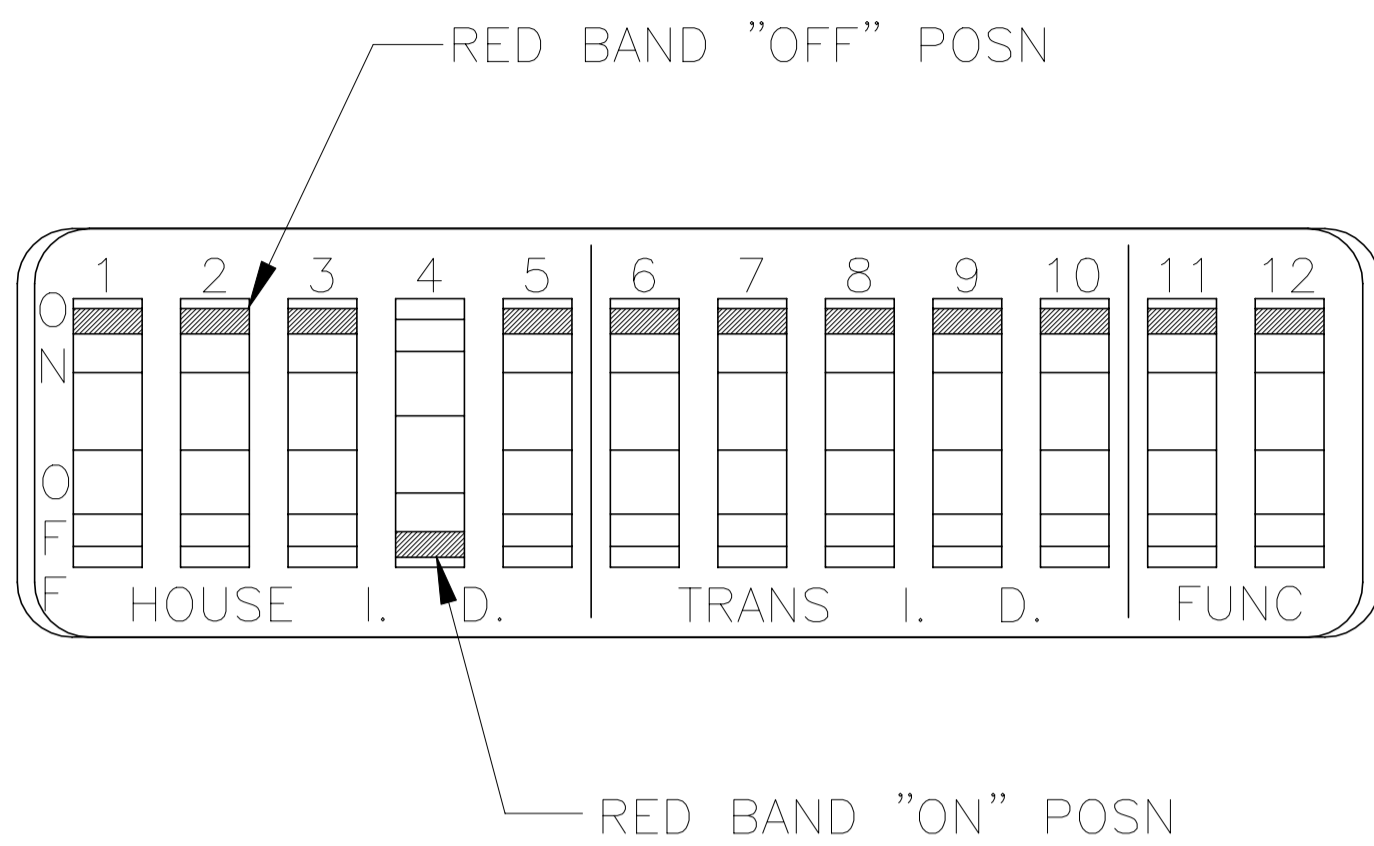


FIG 5

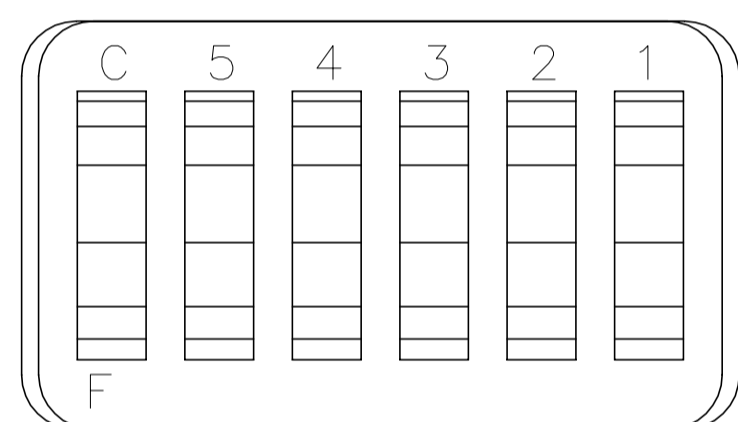


FIG 3

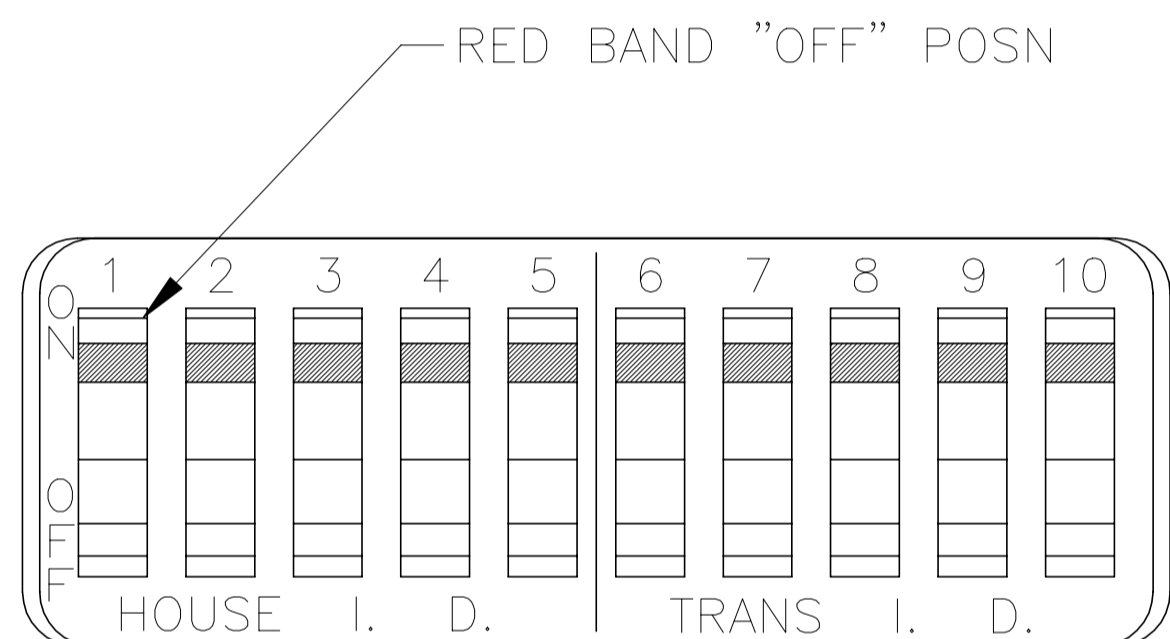


FIG 6

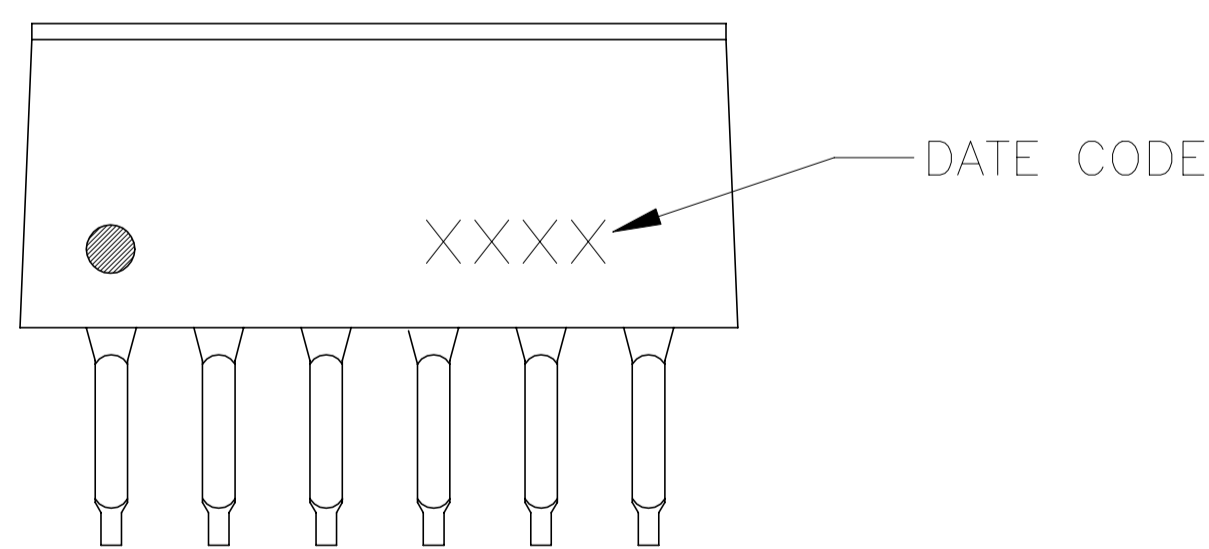


FIG 4

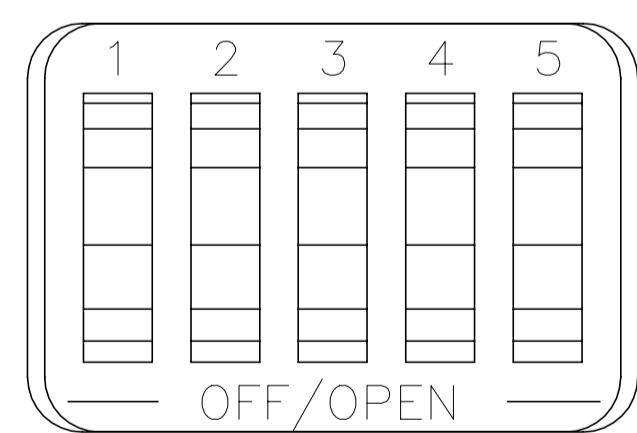


FIG 7

THIS DRAWING IS A CONTROLLED DOCUMENT.		DWN R. TALLEY 02JAN90	TE Connectivity Ltd.																													
DIMENSIONS: INCHES		CHK R. MILLER 03JAN90																														
TOLERANCES UNLESS OTHERWISE SPECIFIED:		APVD H. LEITER 03JAN90	NAME SWITCH ASSY, DIP, TYPE C, 7100 SERIES, SPST, LOW PROFILE																													
<table border="0"> <tr><td>0</td><td>PLC</td><td>±</td><td>-</td></tr> <tr><td>1</td><td>PLC</td><td>±</td><td>-</td></tr> <tr><td>2</td><td>PLC</td><td>±</td><td>-</td></tr> <tr><td>3</td><td>PLC</td><td>±</td><td>.005</td></tr> <tr><td>4</td><td>PLC</td><td>±</td><td>-</td></tr> <tr><td>4</td><td>PLC</td><td>±</td><td>-</td></tr> <tr><td>4</td><td>ANGLES</td><td>±</td><td>-</td></tr> </table>		0	PLC	±	-	1	PLC	±	-	2	PLC	±	-	3	PLC	±	.005	4	PLC	±	-	4	PLC	±	-	4	ANGLES	±	-	PRODUCT SPEC -	SIZE A2	CAGE CODE 00779
0	PLC	±	-																													
1	PLC	±	-																													
2	PLC	±	-																													
3	PLC	±	.005																													
4	PLC	±	-																													
4	PLC	±	-																													
4	ANGLES	±	-																													
MATERIAL		FINISH	WEIGHT -	DRAWING NO C=435668																												
		CUSTOMER DRAWING		RESTRICTED TO -																												
		SCALE 4:1	SHEET 2 of 2	REV AN																												

X-ON Electronics

Largest Supplier of Electrical and Electronic Components

Click to view similar products for [DIP Switches/SIP Switches](#) category:

Click to view products by [TE Connectivity](#) manufacturer:

Other Similar products are found below :

[78M03S](#) [79B10T](#) [8136-475G4T](#) [G7G-1A2-CB-DC12](#) [H7CZL8AC100240](#) [A7SS-M](#) [A8CA-201](#) [DRR60016](#) [DRS4016](#) [1825008-1](#) [1825444-1](#) [25.350.0653.0](#) [SBS 5004 TG](#) [SDA10H1BDA](#) [97R06ST](#) [A2C-2A5](#) [1825444-7](#) [ADE08SA04](#) [ADE12S04](#) [192960010](#) [2-1825058-8](#) [25.330.0653.1](#) [25.352.0353.0](#) [CXDRIVEV2X](#) [IKN0600000](#) [IKN0800000](#) [LA2-002-DC24](#) [DBS1003](#) [438872000](#) [DRD10CRAE04](#) [DSR02T](#) [DSS 208 N](#) [E2FMX2D1M1TGJ03M](#) [NDI10H](#) [219-9MSTP](#) [204-6ES](#) [EPM02FV](#) [701521596](#) [NDS08V](#) [76SB05](#) [79A10](#) [TD06H0SK1](#) [Z7.255.9027.0](#) [1-1825058-3](#) [1825428-4](#) [219-10LPSTF](#) [E3ZG6111D03M](#) [G4D212PUSTV2DC5](#) [NDI05H](#) [EPG301BT06](#)