

4

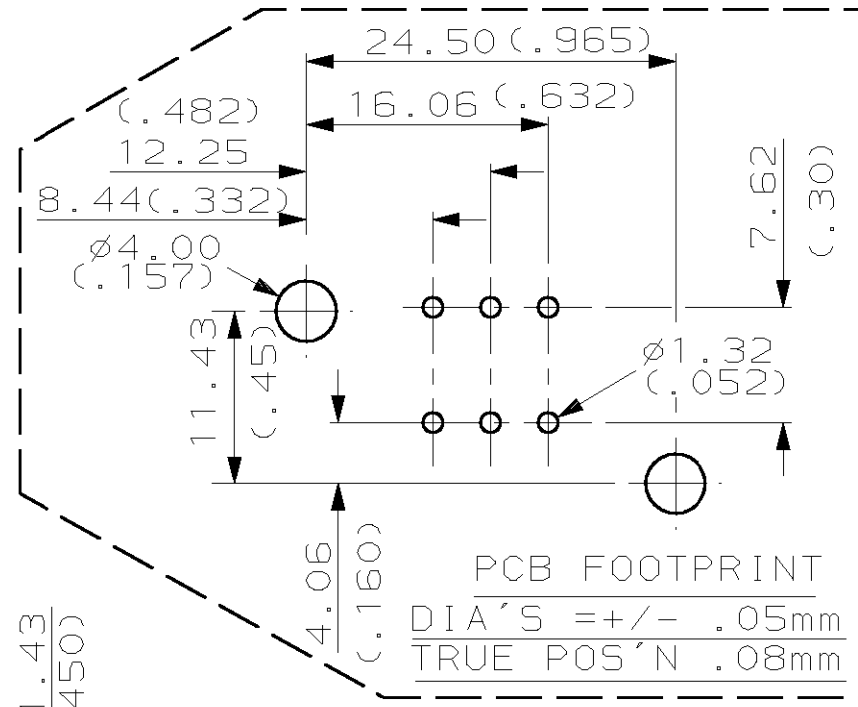
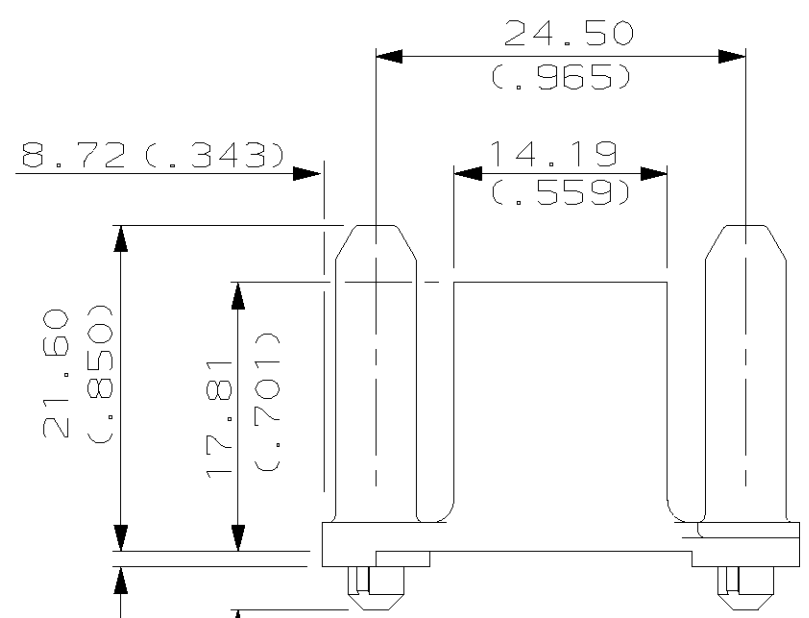
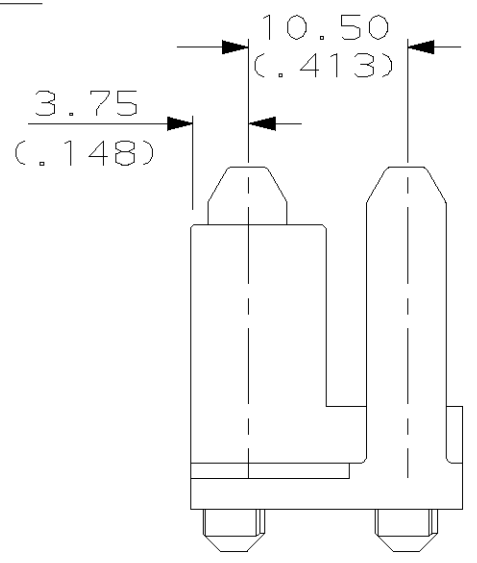
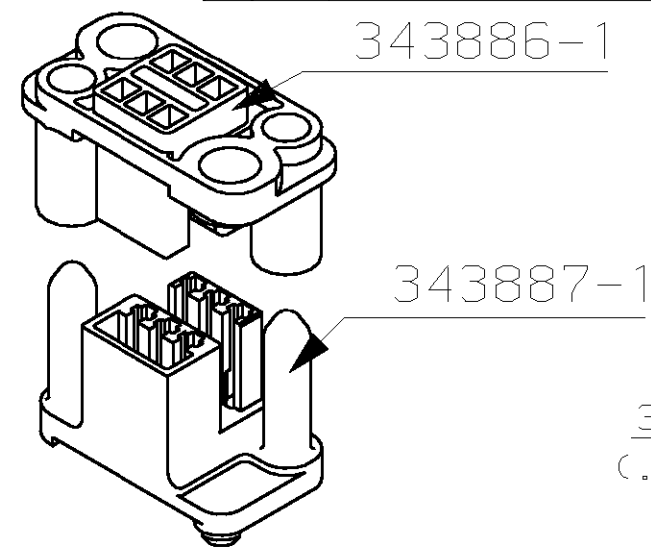
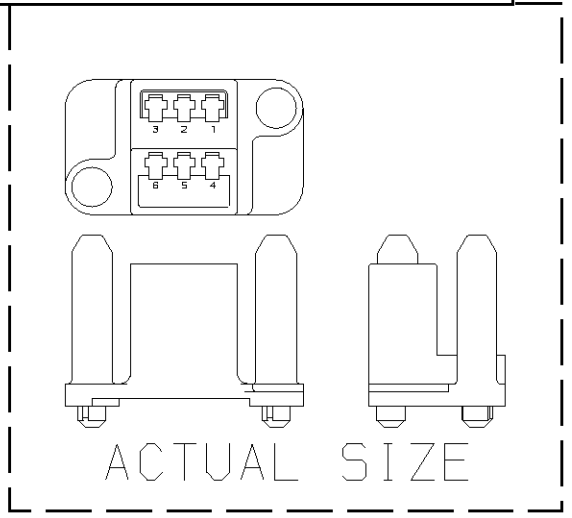
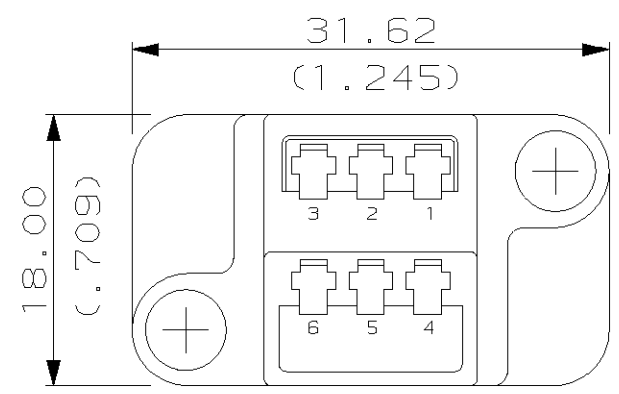
3

2

1

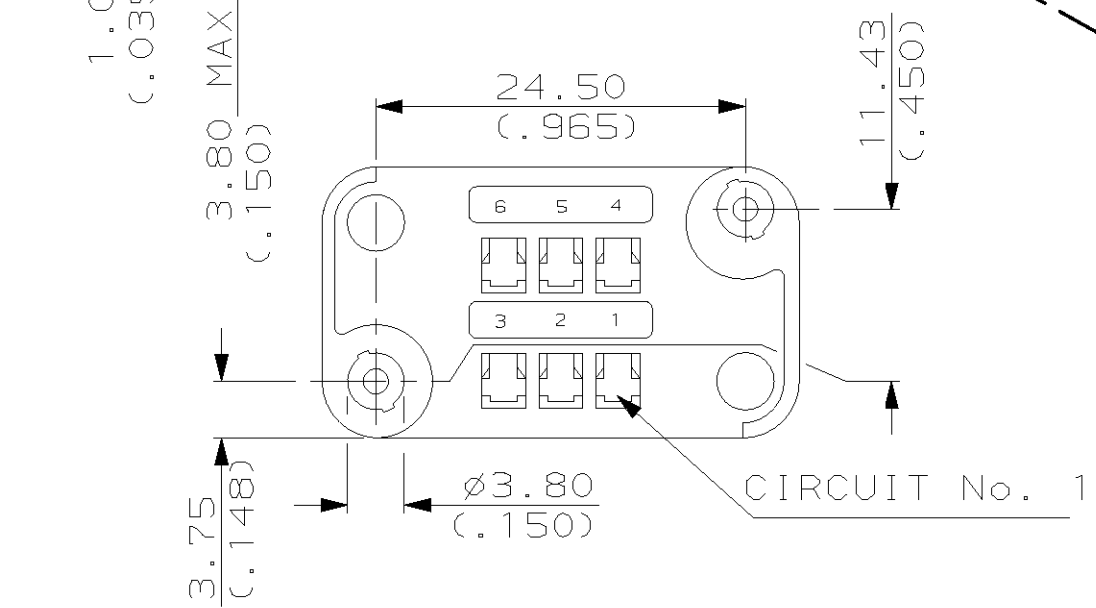
THIS DRAWING IS UNPUBLISHED. RELEASED FOR PUBLICATION .19 .  
© COPYRIGHT 19 BY AMP INCORPORATED. ALL RIGHTS RESERVED.

LOC	DIST	REVISIONS			
P	LTR	DESCRIPTION	DATE	DWN	APVD
AD	00				
	4	ECN C4735	28-8-87	WW	AM
	A	REV PER 0652-0140-98	10/06/99	MM	MB



### NOTES

- MATES WITH 343886-1.
- RECEIVES CONTACT No. 583293-2.
- PERFORMANCE AS PER AMP PRODUCT SPECIFICATION 108-3080.
- MOUNTING DETAILS: PCB TO MOUNTING PLATE DAYLIGHT 22.20 (.874) MIN. OVERALL MATED HEIGHT 25.50 MAX.
- CONSULT AMP GB. ENGINEERING



343887-1  
PART NO

THIS DRAWING IS A CONTROLLED DOCUMENT.		DWN W. WILSON	16DEC86	AMP Incorporated Harrisburg, PA 17105-3608	
DIMENSIONS: mm		CHK -	APVD -		
TOLERANCES UNLESS OTHERWISE SPECIFIED:		PRODUCT SPEC -		PCB HEADER HOUSING	
0 PLC ± 1 PLC ±0.5 2 PLC ±0.2 3 PLC ± 4 PLC ± ANGLES ±1°		APPLICATION SPEC -		SIZE	RESTRICTED TO
MATERIAL 30% GF PBT	FINISH BLACK	WEIGHT -		CAGE CODE A300779	DRAWING NO C- 343887
CUSTOMER DRAWING				SCALE 2:1	SHEET 1 OF 1
				REV A	

## X-ON Electronics

Largest Supplier of Electrical and Electronic Components

*Click to view similar products for [Heavy Duty Power Connectors](#) category:*

*Click to view products by [TE Connectivity](#) manufacturer:*

Other Similar products are found below :

[647757-1](#) [6643411-1](#) [6646058-2](#) [6646137-1](#) [6646138-1](#) [6646479-1](#) [6646608-1](#) [6646786-1](#) [6646940-1](#) [6651091-1](#) [6651525-1](#) [6651529-1](#)  
[6651788-1](#) [696475-1](#) [702-32-01109](#) [703-25-02205](#) [73000005059](#) [73000005642](#) [73080255059](#) [73080965046](#) [765-15-0080A](#) [765-16-0080B](#)  
[765-18-0080D](#) [829992-1](#) [902-77-02113](#) [PS00/A0620/6300](#) [PS25/A0420/63](#) [129-1J](#) [1409400](#) [AN0024023](#) [E6374G1](#) [e6389g2](#) [157-43GW8](#)  
[MS3117-14AC](#) [1643543-1](#) [1650540-1](#) [1651811-2](#) [1766260-1](#) [1766282-1](#) [1766966-1](#) [1791340000](#) [NLDFT-3-BL-L-S120-M40A](#) [NLDFT-N-](#)  
[W-L-C240-M40B](#) [NLS-2-R-C240-M40B](#) [NLS-N-W-C240-M40B](#) [NPS-3-BL-T6](#) [1986615-1](#) [2-1589900-8](#) [2199314-1](#) [KA8102](#)