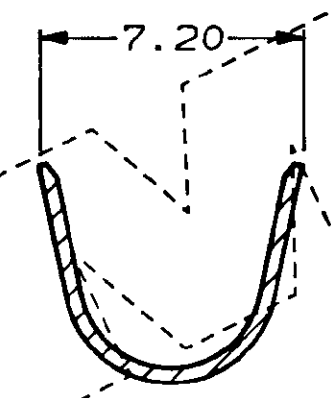
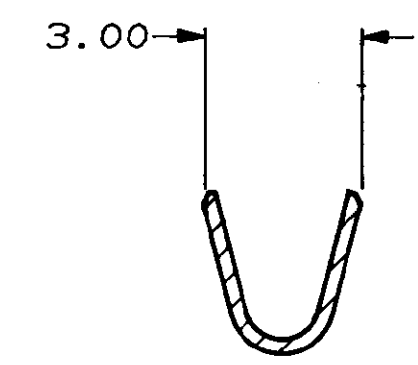
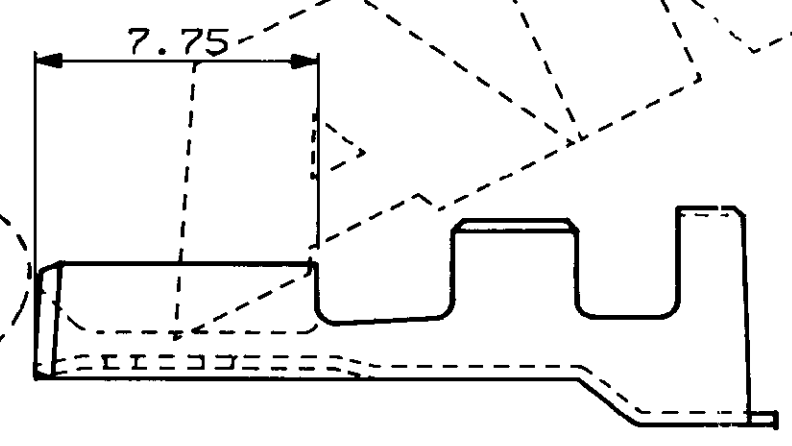
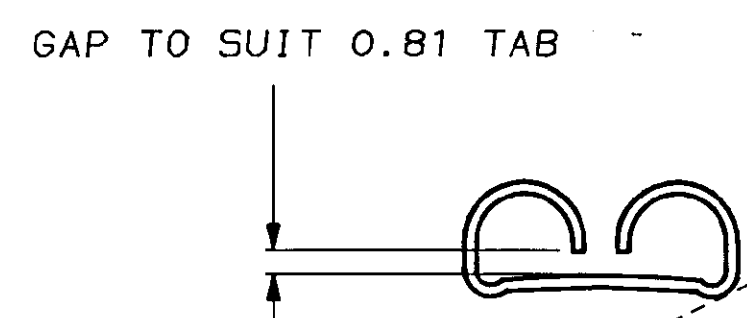
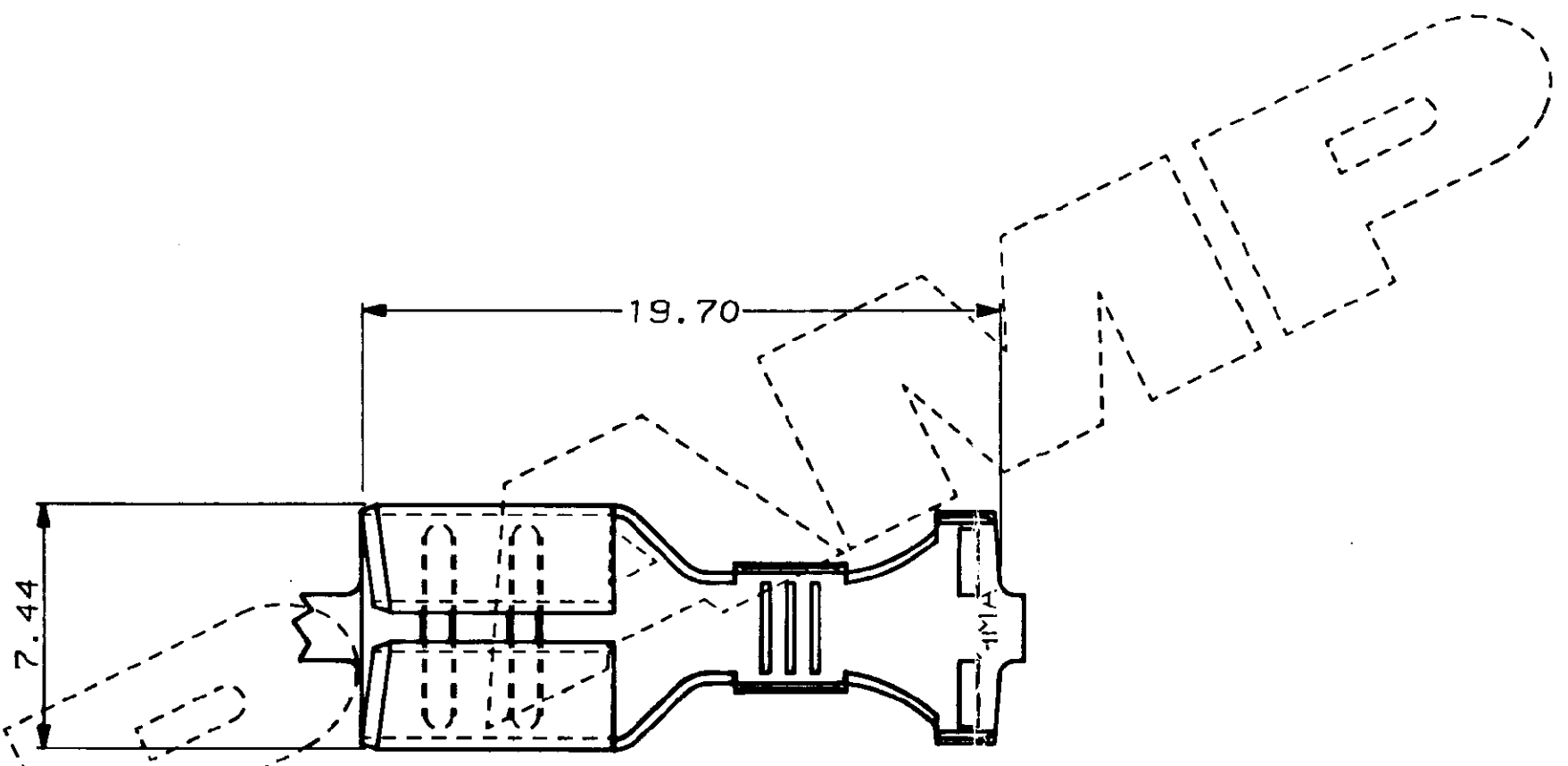



8 | 7 | 6 | 5 | 4 | 3 | 2 | 1

U.A.D. FILE CODE
S.C344070.A

DO NOT SCALE DIMENSIONS IN MM. 



WIRE RANGE 0.50 TO 1.50 MM²
 INS. RANGE 4.10 TO 5.50 MM DIA. INC. SEAL
 (ONLY THIN WALLED CABLE 1.60 TO 2.40 MM DIA. IS SUITABLE)

TIN PLATED		BRASS		344070-1	
FINISH		MATERIAL		PART NUMBER	
CUSTOMER DWG FOR REFERENCE ONLY		©COPYRIGHT 1987 BY AMP OF GREAT BRITAIN LTD. ALL INTERNATIONAL RIGHTS RESERVED. ALL PRODUCTS MAY BE COVERED BY BRITISH AND FOREIGN PATENTS AND/OR PATENTS PENDING.		24/06/87 DR. R. RUNAGALL.	
-		TOLERANCES UNLESS OTHERWISE STATED :		APP. B. J.	
-		DEC ± 0.5		 TERMINAL HOUSE STANMORE MIDDX.	
-		ANGLES ± 1°		NAME .250 SERIES REC. HIGH CURRENT	
-				ECONOSEAL 3 (SEALED APPLICATIONS)	
B	EBAO-0029-03	R.S.	12.8.03	SCALE	LOC
REV	ECN	DRN	DATE	5/1	E
				SIZE	DWG. No.
				A2	C344070
				REV	SHEET
				B	1/1

FORMAT 22/05/85 8 | 7 | 6 | 5 | 4 | 3 | 2 | 1

X-ON Electronics

Largest Supplier of Electrical and Electronic Components

Click to view similar products for [Automotive Connectors](#) category:

Click to view products by [TE Connectivity](#) manufacturer:

Other Similar products are found below :

[003-018-000](#) [60403001](#) [60993906-B](#) [M902-2131](#) [M902-2161](#) [M902-2344](#) [72.330.1035.1](#) [73.353.4028.0](#) [F119300-B](#) [F166900](#) [F258300-B](#)
[F358300-B](#) [F407400](#) [F444110](#) [F487000](#) [F509500B-B](#) [827153-1](#) [8N1515-32-24P](#) [9-1326729-8](#) [925474-1](#) [928905-1](#) [964562-4](#) [968782-1](#)
[GT17SA-8DS-HU](#) [98891-1012](#) [98947-1016](#) [12004147](#) [12004475-L](#) [12010290](#) [12010309-B](#) [12015454](#) [12020219-B](#) [12041318-B](#) [12052225-](#)
[L](#) [12052466](#) [12064869](#) [12004327-B](#) [12015308](#) [12015384](#) [12015909](#) [1-21030-1](#) [12041254](#) [12041318](#) [12047946-B](#) [12047957](#) [12047957-L](#)
[12059473](#) [12066261](#) [12110546](#) [12110546-B](#)