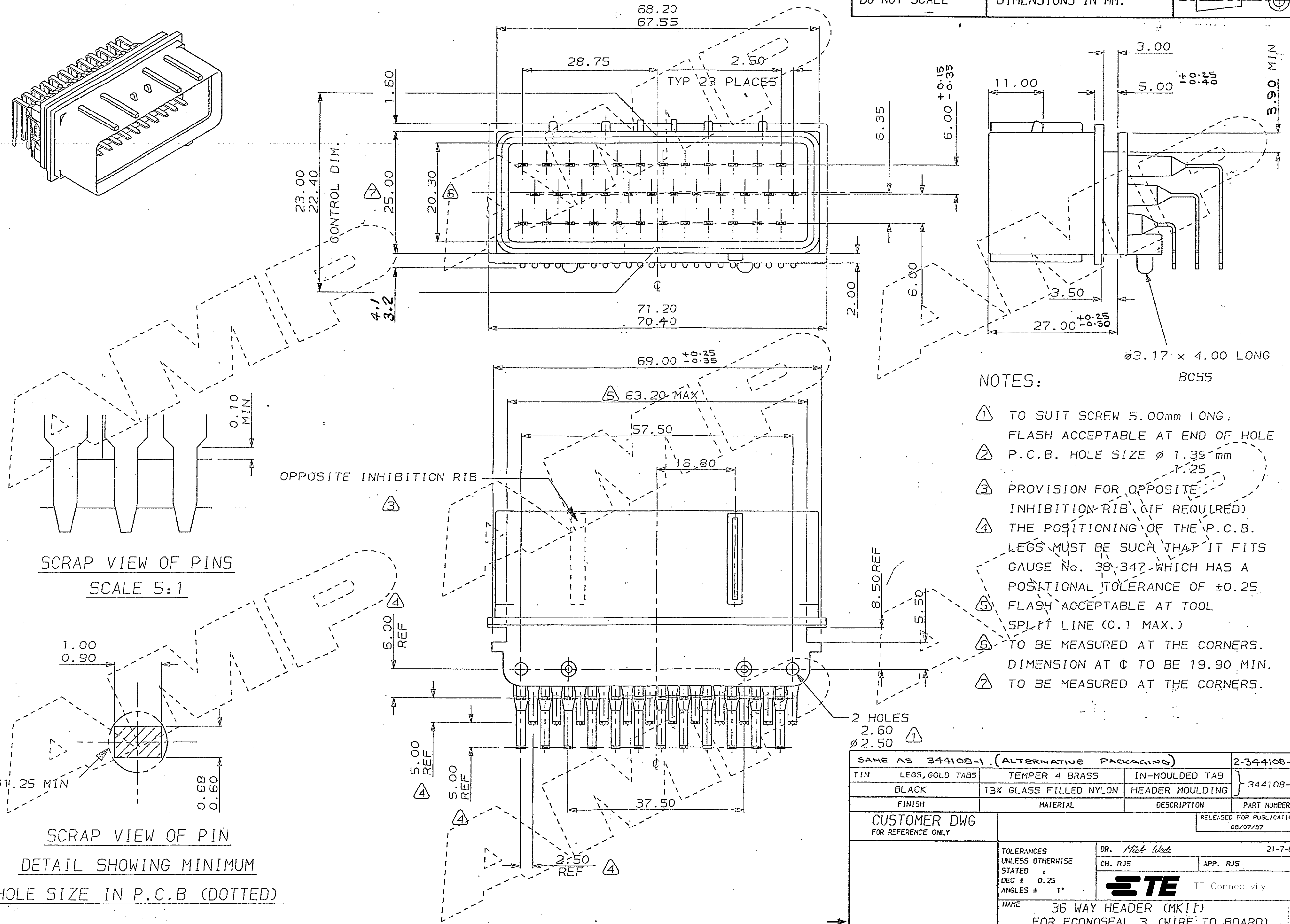
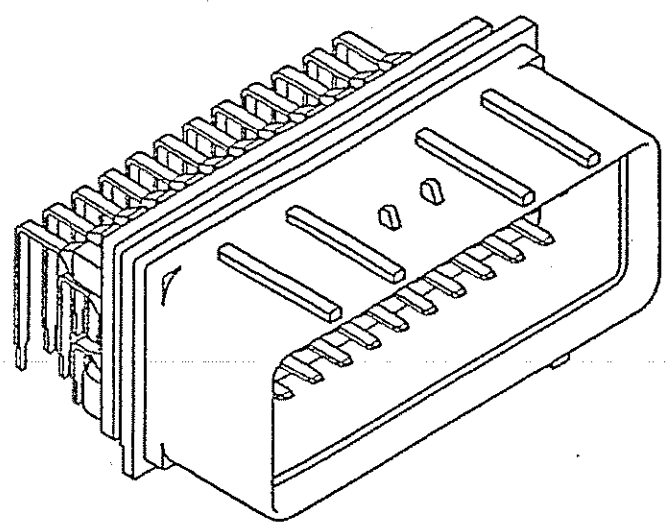


C.A.D. FILE CODE
S. C344108.

DO NOT SCALE DIMENSIONS IN MM.



- NOTES:
- ① TO SUIT SCREW 5.00mm LONG, FLASH ACCEPTABLE AT END OF HOLE
 - ② P.C.B. HOLE SIZE ϕ 1.35 mm
 - ③ PROVISION FOR OPPOSITE INHIBITION RIB (IF REQUIRED)
 - ④ THE POSITIONING OF THE P.C.B. LEGS MUST BE SUCH THAT IT FITS GAUGE No. 38-347 WHICH HAS A POSITIONAL TOLERANCE OF ± 0.25
 - ⑤ FLASH ACCEPTABLE AT TOOL SPLIT LINE (0.1 MAX.)
 - ⑥ TO BE MEASURED AT THE CORNERS. DIMENSION AT ϕ TO BE 19.90 MIN.
 - ⑦ TO BE MEASURED AT THE CORNERS.

SAME AS 344108-1. (ALTERNATIVE PACKAGING)				2-344108-1
TIN	LEGS, GOLD TABS	TEMPER 4 BRASS	IN-MOULDED TAB	344108-1
	BLACK	13% GLASS FILLED NYLON	HEADER MOULDING	
FINISH		MATERIAL	DESCRIPTION	PART NUMBER
CUSTOMER DWG FOR REFERENCE ONLY			RELEASED FOR PUBLICATION 08/07/87	
TOLERANCES UNLESS OTHERWISE STATED :		DR. <i>Mick Wade</i> 21-7-88		
DEC \pm 0.25		CH. RJS APP. RJS.		
ANGLES \pm 1°		STE TE Connectivity		
NAME 36 WAY HEADER (MKII) FOR ECONOSEAL 3 (WIRE TO BOARD)				
H1	RKHMR	REVISED PER ECO-11-005150	28MAR11	SCALE
REV	APPROVED	ECN	DATE	LOC
				SIZE
				DWG. No.
				REV
				SHEET

WAS CP86-076-04

*.x - 0.TIF - 9/15/03 8:14:42 AM

X-ON Electronics

Largest Supplier of Electrical and Electronic Components

Click to view similar products for [Automotive Connectors](#) category:

Click to view products by [TE Connectivity](#) manufacturer:

Other Similar products are found below :

[003-018-000](#) [60403001](#) [60993906-B](#) [M902-2131](#) [M902-2161](#) [72.330.1035.1](#) [73.353.4028.0](#) [F119300-B](#) [F166900](#) [F258300-B](#) [F358300-B](#)
[F407400](#) [F444110](#) [F487000](#) [F509500B-B](#) [827153-1](#) [8N1515-32-24P](#) [9-1326729-8](#) [925474-1](#) [928905-1](#) [964562-4](#) [968782-1](#) [GT17SA-8DS-](#)
[HU](#) [98891-1012](#) [98947-1016](#) [12004147](#) [12004475-L](#) [12010290](#) [12010309-B](#) [12015454](#) [12020219-B](#) [12020308](#) [12041318-B](#) [12052225-L](#)
[12052466](#) [12059125](#) [12064869](#) [12004327-B](#) [12010503-B](#) [12015308](#) [12015384](#) [12015909](#) [1-21030-1](#) [12041254](#) [12041318](#) [12047946-B](#)
[12047957](#) [12047957-L](#) [12059473](#) [12066261](#)