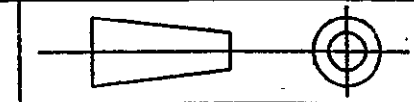
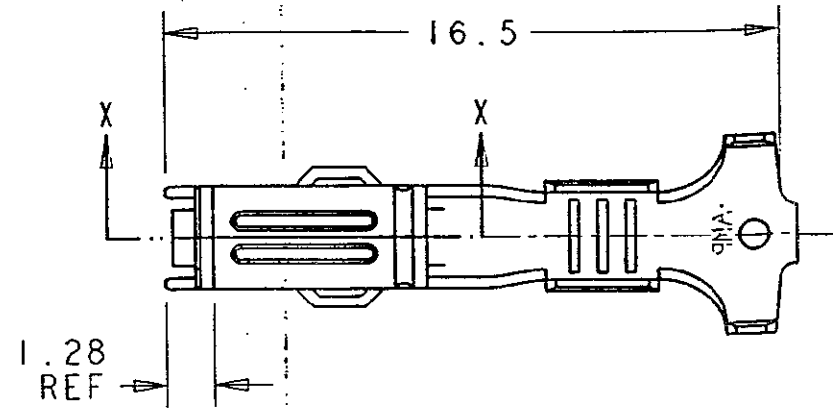


DO NOT SCALE

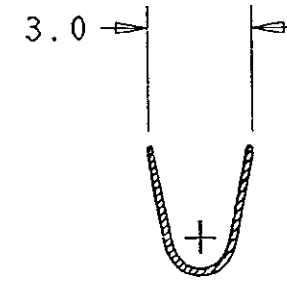
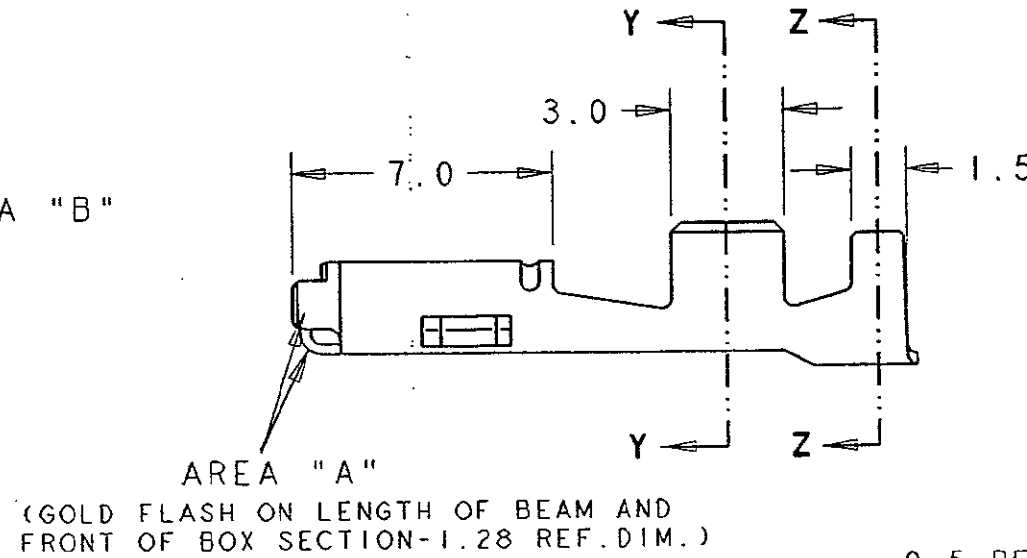
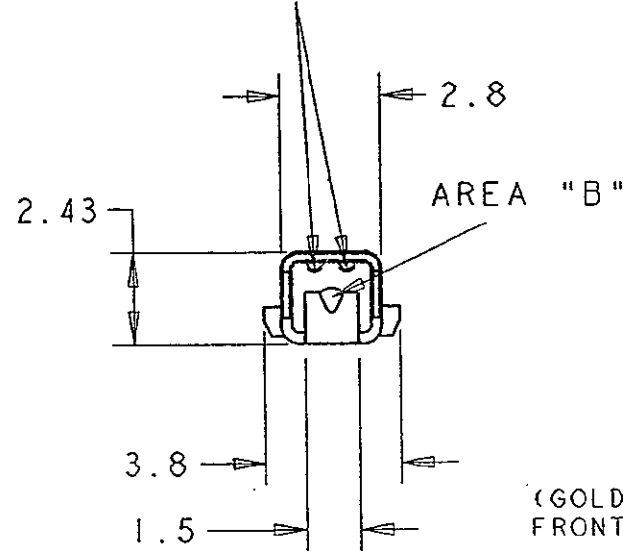
DIMENSIONS IN MM.



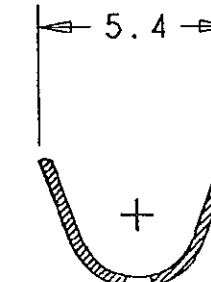
ACTUAL SIZE



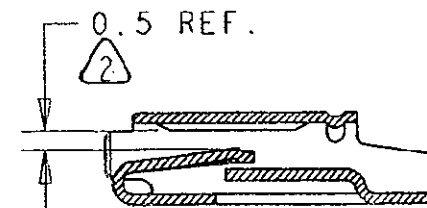
AREA "C", OVER LENGTH OF RIBS.



SECTION Y-Y



SECTION Z-Z



SECTION X-X

NOTES:

1. WIRE RANGE: 0.75 TO 2.0 mm<sup>2</sup>

RECOMMENDED COMBINATIONS FOR SEALED APPLICATIONS		
WIRE SIZE mm <sup>2</sup>	INSULATION DIA. mm	SEAL PT. NO. (SILICONE)
0.75 TO 1.5	1.85 TO 2.4	347874-1
2.0	>2.4 TO 2.7 MAX.	347875-1
2.0	2.2 TO 2.35	347874-1

RECOMMENDED CRIMPING COMBINATIONS FOR UNSEALED APPLICATIONS		
WIRE SIZE mm <sup>2</sup>	INSULATION DIA. mm	TYPE OF INSULATION CRIMP
0.75 TO 1.5	1.85 TO 2.4	SPECIAL "F"
2.0	>2.4 TO 2.7 MAX.	SPECIAL "F"
2.0	2.2 TO 2.35	SPECIAL "F"

2. CLIP GAP TO SUIT 0.64 mm THICK TAB
3. AREAS INDICATED "A", "B" & "C" ARE SELECTIVELY GOLD PLATED.

PROD. SPEC. 108-3114  
APP. SPEC. 114-3040

FOR SEALED AND UNSEALED APPS.

PRE-NICKEL/SELECTIVE GOLD		PHOS. BRONZE	344113-1
FINISH		MATERIAL	PART NUMBER
CUSTOMER DWG FOR REFERENCE ONLY		©COPYRIGHT 1986 BY AMP OF GREAT BRITAIN LTD. ALL INTERNATIONAL RIGHTS RESERVED. ALL PRODUCTS MAY BE COVERED BY BRITISH AND FOREIGN PATENTS AND/OR PATENTS PENDING.	
TOLERANCES UNLESS OTHERWISE STATED:		DR. M.W. 20.11.86 CH. R. RUNAGALL APP. B. J.	
DEC ± 0.5		TERMINAL HOUSE STANMORE MIDDX.	
ANGLES ± 1°		NAME ECONOSEAL 3 - WIRE TO BOARD 0.070 RECEPTACLE CONTACT	
REV	MODIFICATION	ECN	DATE
B	GOLD FLASH NOTE ADDED WIRE NOW 0.75 - 2.0 BOX HT. TOL. ALTERED	EB00-0344-95	10.10.95
A	WIRE SIZE WAS 0.5 - 1.5mm <sup>2</sup>	C6087	20.02.92
0	RELEASE TO PRODUCTION	C5373	28.09.89
SCALE	LOC	SIZE	DWG. No.
5/1	E	A3	C344113
REV	SHEET	B	1/1

## X-ON Electronics

Largest Supplier of Electrical and Electronic Components

*Click to view similar products for [Automotive Connectors](#) category:*

*Click to view products by [TE Connectivity](#) manufacturer:*

Other Similar products are found below :

[003-018-000](#) [60403001](#) [60993906-B](#) [M902-2131](#) [M902-2161](#) [72.330.1035.1](#) [73.353.4028.0](#) [F119300-B](#) [F166900](#) [F258300-B](#) [F358300-B](#)  
[F407400](#) [F444110](#) [F487000](#) [F509500B-B](#) [827153-1](#) [8N1515-32-24P](#) [9-1326729-8](#) [925474-1](#) [928905-1](#) [964562-4](#) [968782-1](#) [GT17SA-8DS-](#)  
[HU](#) [98891-1012](#) [98947-1016](#) [12004147](#) [12004475-L](#) [12010290](#) [12010309-B](#) [12015454](#) [12020219-B](#) [12020308](#) [12041318-B](#) [12052225-L](#)  
[12052466](#) [12059125](#) [12064869](#) [12004327-B](#) [12010503-B](#) [12015308](#) [12015384](#) [12015909](#) [1-21030-1](#) [12041254](#) [12041318](#) [12047946-B](#)  
[12047957](#) [12047957-L](#) [12059473](#) [12066261](#)