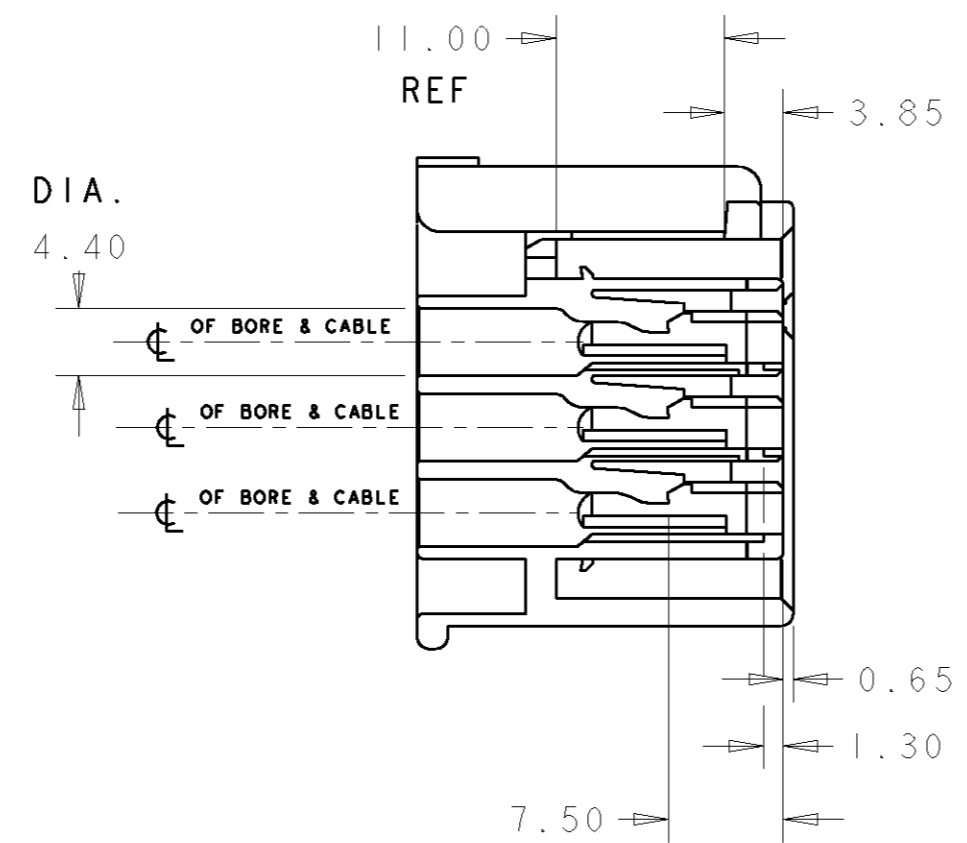
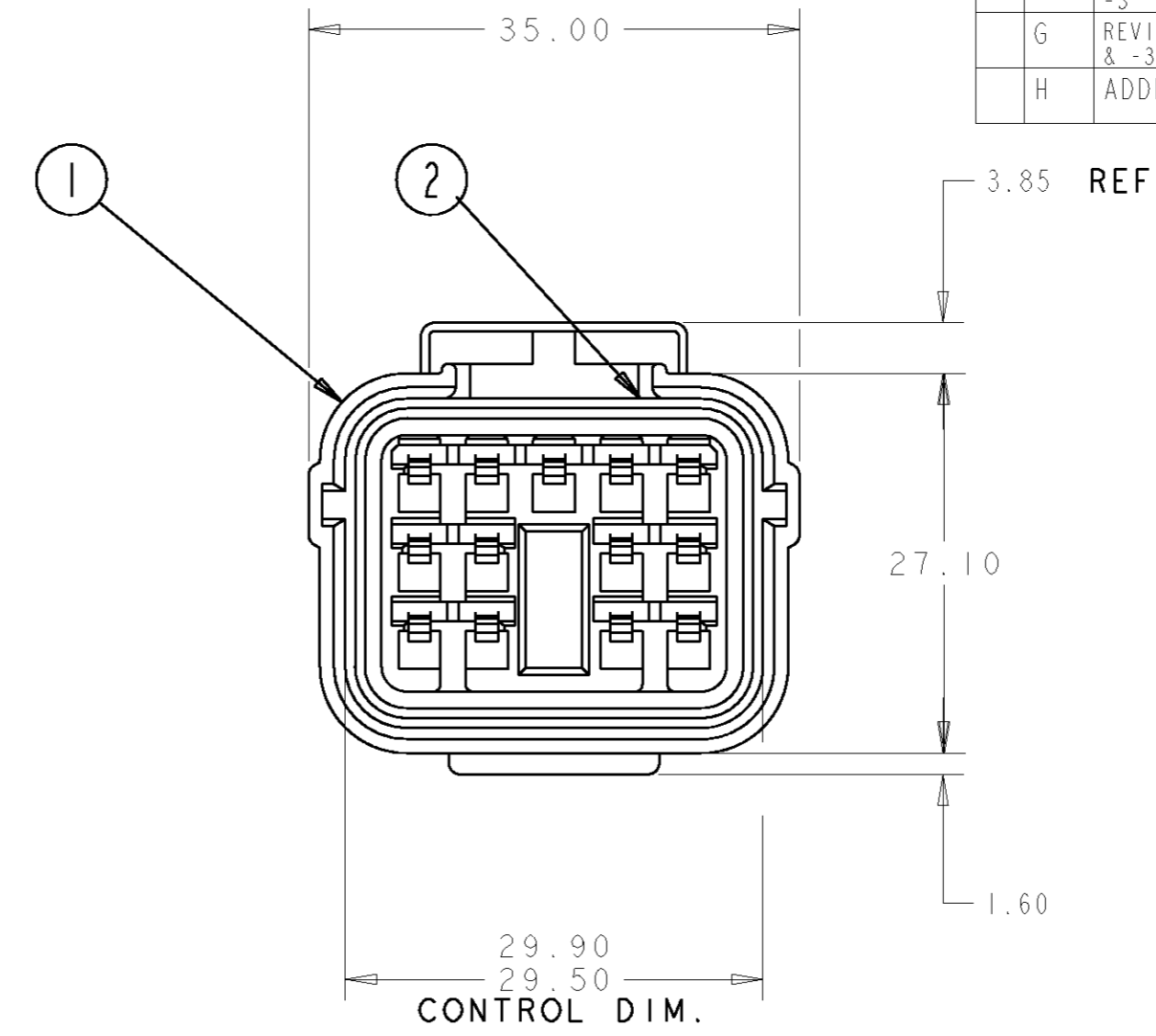
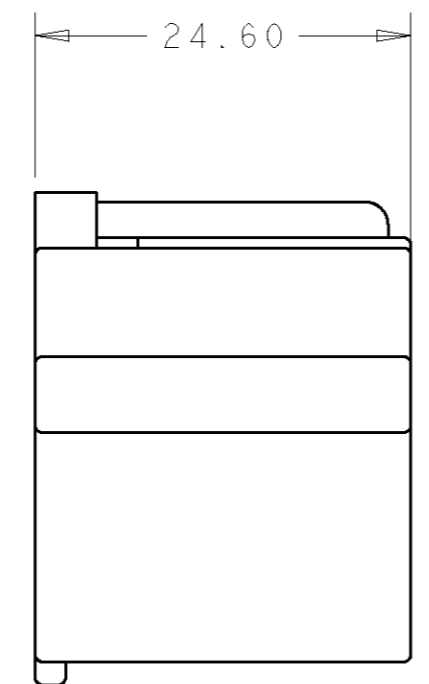
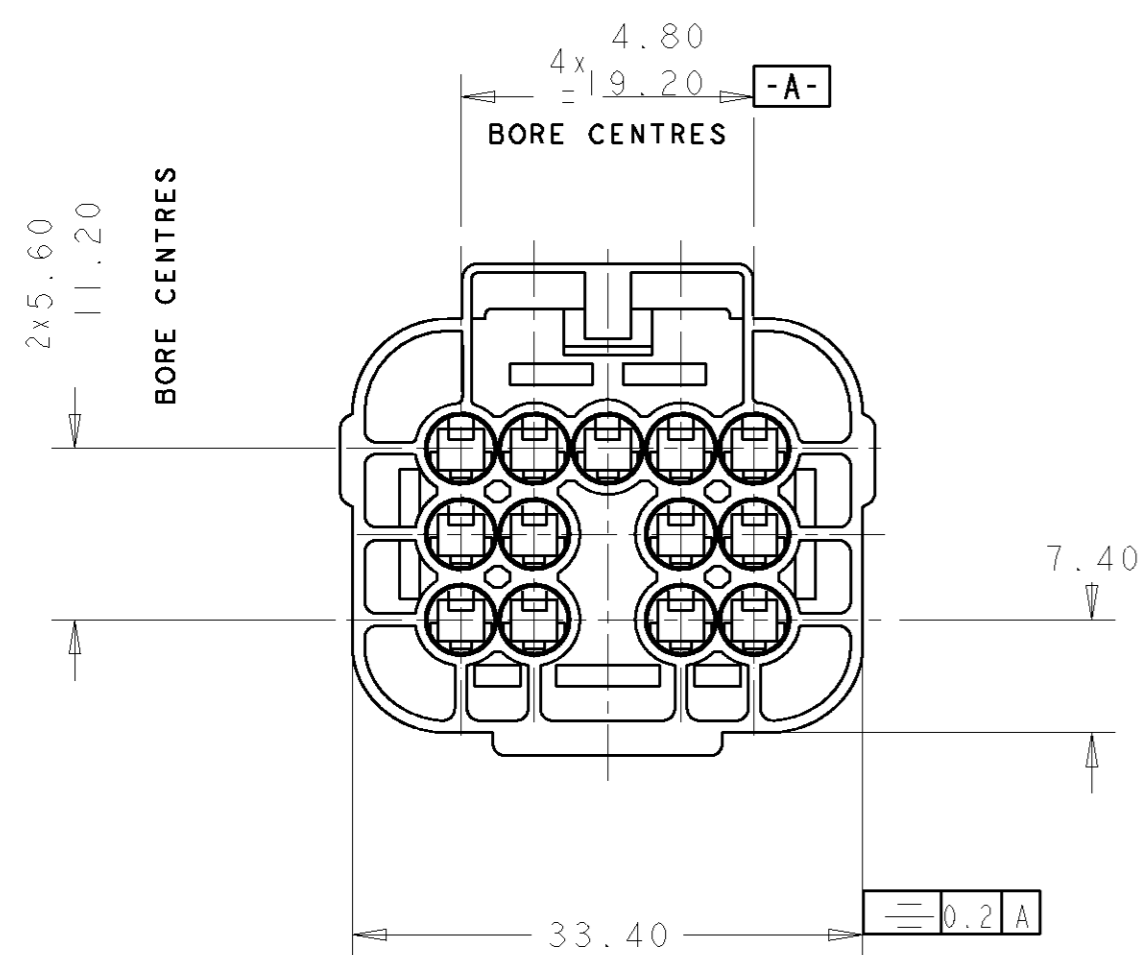


© COPYRIGHT 19 BY AMP INCORPORATED. ALL RIGHTS RESERVED.

REVISIONS					
P	LTR	DESCRIPTION	DATE	DWN	APVD
J		ECR-06-005804	10/3/06	RS	MH
A		UPDATED	29/7/88		
B		ADDED -2 AND CONTROL DIM	29/9/89		
C		ADDED -3 (BLUES)	15/1/91		
D		PER SEAL MOD.	9/5/94		
E		ADDED 1-344263-1,-2 -3	4/1/95		
G		REVISED 1-344263-1,-2 & -3	05/11/97		
H		ADDED -4 (RED)	25.9.02	JM	BB



SCRAP VIEW (SEAL NOT SHOWN)

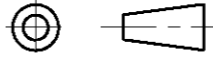
NOTE FOR DASH VARIANTS SEE SHEET TWO

THIS DRAWING IS A CONTROLLED DOCUMENT FOR AMP INCORPORATED. IT IS SUBJECT TO CHANGE AND THE CONTROLLING ENGINEERING ORGANIZATION SHOULD BE CONTACTED FOR THE LATEST REVISION.		DWN R.S. 4/11/87	AMP	AMP of Great Britain Ltd, Stanmore, Middlesex, HA7 4RS.	
DIMENSIONS IN m.m		CHR R.R. -		NAME 13 WAY REC. HSG. ASSY. ECONOSEAL 3 LOW CURRENT	
TOLERANCES UNLESS OTHERWISE SPECIFIED: LINEAR: - ±0.5 ANGULAR: - ±1°		APVD B.J. -	DRAWING NO. C344263		
THIRD ANGLE PROJECTION		PRODUCT SPEC -	SIZE A2	CAGE CODE 00779	SCALE 2:1
MATERIAL -		APPLICATION SPEC -	SHEET 1 OF 2		REV J
FINISH -		WEIGHT -	CUSTOMER DRAWING		

© COPYRIGHT 19 BY AMP INCORPORATED. ALL RIGHTS RESERVED.

LOC		DIST		REVISIONS			
P	LTR	DESCRIPTION	DATE	DWN	APVD		
-	-	SEE SHEET ONE	-	-	-		

ITEM NO.	MATERIAL	PART NO. OR COLOUR	DESCRIPTION	QTY. PER. ASSY.	ASSEMBLY PART NO.
1	NYLON 66	344262-1	13 WAY REC. HSG.	1	344263-1 (BLACK)
2	SILICONE RUBBER	ORANGE	PERIPHERAL SEAL	1	
1	NYLON 66	344262-2	13 WAY REC. HSG.	1	344263-2 (WHITE)
2	SILICONE RUBBER	ORANGE	PERIPHERAL SEAL	1	
1	NYLON 66	344262-3	13 WAY REC. HSG.	1	344263-3 (BLUE)
2	SILICONE RUBBER	ORANGE	PERIPHERAL SEAL	1	
1	NYLON 66	344262-4	13 WAY REC. HSG.	1	344263-4 (RED)
2	SILICONE RUBBER	ORANGE	PERIPHERAL SEAL	1	
1	NYLON 66	344262-1	13 WAY REC. HSG.	1	1-344263-1 (BLACK)
2	SILICONE RUBBER	LIGHT BLUE	PERIPHERAL SEAL	1	
1	NYLON 66	344262-2	13 WAY REC. HSG.	1	1-344263-2 (WHITE)
2	SILICONE RUBBER	LIGHT BLUE	PERIPHERAL SEAL	1	
1	NYLON 66	344262-3	13 WAY REC. HSG.	1	1-344263-3 (BLUE)
2	SILICONE RUBBER	LIGHT BLUE	PERIPHERAL SEAL	1	

THIS DRAWING IS A CONTROLLED DOCUMENT FOR AMP INCORPORATED. IT IS SUBJECT TO CHANGE AND THE CONTROLLING ENGINEERING ORGANIZATION SHOULD BE CONTACTED FOR THE LATEST REVISION.		DWN	AMP of Great Britain Ltd, Stanmore, Middlesex, HA7 4RS.	
DIMENSIONS IN m.m	TOLERANCES UNLESS OTHERWISE SPECIFIED:	CHK	NAME	
 THIRD ANGLE PROJECTION	LINEAR: - ±0.5	APVD	13 WAY REC. HSG. ASSY. ECONOSEAL 3 LOW CURRENT	
	ANGULAR: - ±1°	PRODUCT SPEC	SIZE	
MATERIAL	FINISH	APPLICATION SPEC	CAGE CODE	DRAWING NO.
-	-	WEIGHT	A2 00779	C344263
CUSTOMER DRAWING			SCALE	SHEET 2 OF 2 REV J

X-ON Electronics

Largest Supplier of Electrical and Electronic Components

Click to view similar products for [Automotive Connectors](#) category:

Click to view products by [TE Connectivity](#) manufacturer:

Other Similar products are found below :

[003-018-000](#) [60403001](#) [60993906-B](#) [M902-2131](#) [M902-2161](#) [72.330.1035.1](#) [73.353.4028.0](#) [F119300-B](#) [F166900](#) [F258300-B](#) [F358300-B](#)
[F407400](#) [F444110](#) [F487000](#) [F509500B-B](#) [827153-1](#) [8N1515-32-24P](#) [9-1326729-8](#) [925474-1](#) [928905-1](#) [964562-4](#) [968782-1](#) [GT17SA-8DS-](#)
[HU](#) [98891-1012](#) [98947-1016](#) [12004147](#) [12004475-L](#) [12010290](#) [12010309-B](#) [12015454](#) [12020219-B](#) [12020308](#) [12041318-B](#) [12052225-L](#)
[12052466](#) [12059125](#) [12064869](#) [12004327-B](#) [12010503-B](#) [12015308](#) [12015384](#) [12015909](#) [1-21030-1](#) [12041254](#) [12041318](#) [12047946-B](#)
[12047957](#) [12047957-L](#) [12059473](#) [12066261](#)