

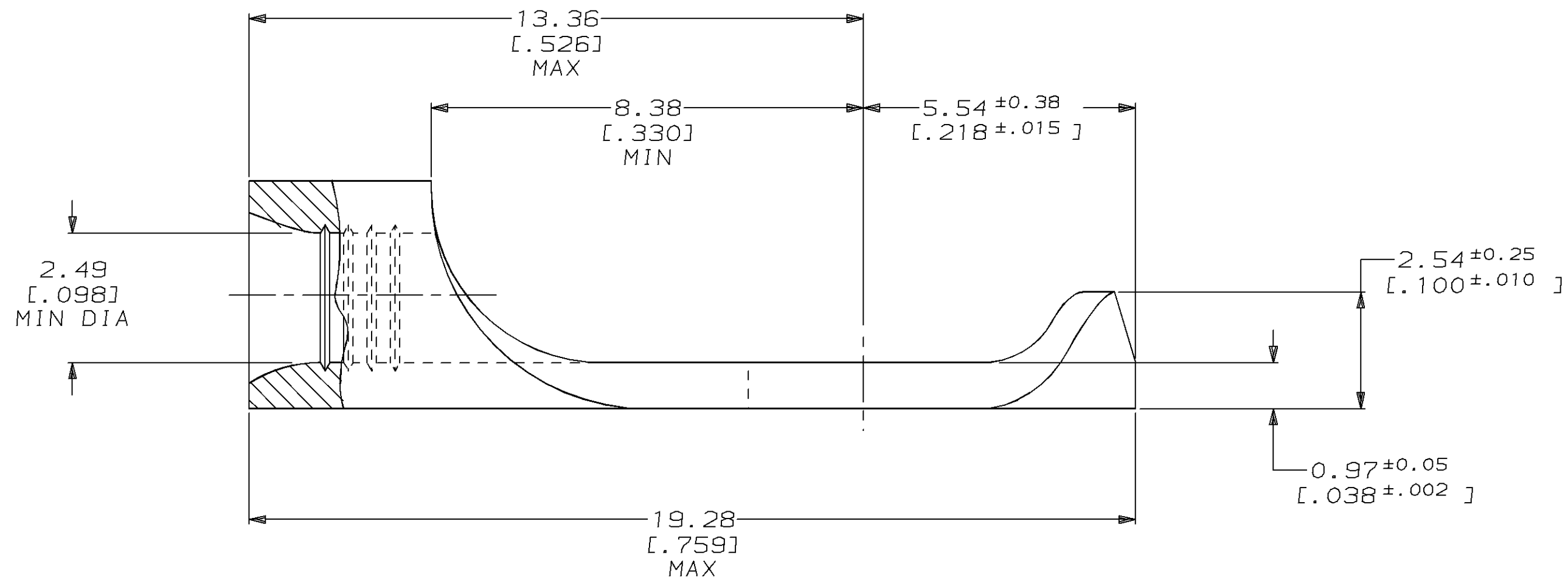
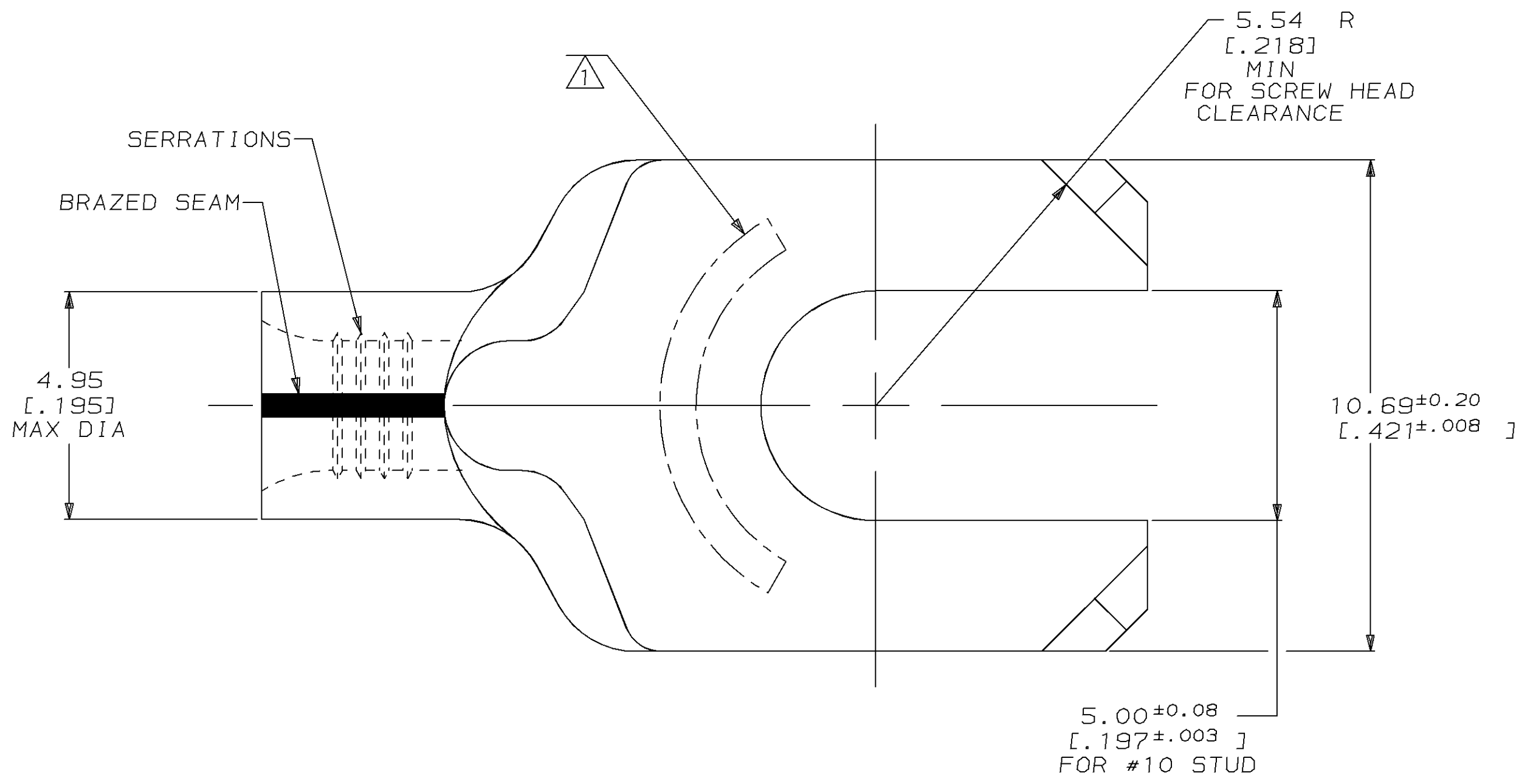
THIS DRAWING IS UNPUBLISHED. RELEASED FOR PUBLICATION ,19 .
 © COPYRIGHT 19 BY AMP INCORPORATED. ALL INTERNATIONAL RIGHTS RESERVED.

| LOC | DIST | P | F | ZONE | LTR | DESCRIPTION | DATE | APPD |
|-----|------|---|---|------|-----|------------------------------------|---------|---------|
| G | 14 | | | | E | REVISED & REDRAWN PER 0720-0045-94 | 03MAY94 | OKS DAP |

METRIC
 DIMENSIONS LISTED IN mm [INCHES]

| | |
|--------------------------------|----------------------------|
| AMP WIRE RANGE | UL E13288 Listed |
| 14-12 AWG SOLID OR STRANDED | 14-12 AWG STRANDED |
| SR LR7189 Certified | MILITARY P/N AND CLASS |
| 14-12 AWG SOLID OR STRANDED | NOT APPLICABLE |

① STAMP AMP 14-12* APPROX AS SHOWN



| QTY | PACKAGE TYPE | PART NO |
|-----|--------------|---------|
| - | LOOSE PIECE | 34489 |

AMP INCORPORATED
CUSTOMER SERVICE SYSTEMS

MAX RECOMMENDED OPERATING TEMPERATURE:
 170°C MAX

VOLTAGE RATING:
 NOT APPLICABLE

WIRE CROSS SECTIONAL AREA RANGE:
 1.65-4.17mm² [3,260-8,230] CIR MILS
 SOLID OR STRANDED

DO NOT SCALE PRINT. UNLESS SPECIFIED
 DIMENSIONS IN mm [INCHES]
 TOLERANCES ON:
 2 PLC DEC ± 0.20 [.008]
 3 PLC DEC ± -
 ANGLES ± -

MATERIAL
 COPPER PER ASTM B-152
 ANNEALED

FINISH
 TIN PLATE
 0.00254 [.000100] MIN
 THK PER MIL-T-10727

DR 03MAY94
 DK SCHRUM

CHK 05AUG94
 DA PATTERSON

APPD 05AUG94
 CH KULYNYCH

APPD 05AUG94
 JL MECKLEY

PRODUCT SPEC
 -

APPLICATION SPEC
 -

WEIGHT
 -

| | | |
|--|--------------------|-----------------------|
| AMP AMP Incorporated Harrisburg, PA 17105-3608 | | |
| NAME TERMINAL, SPADE TONGUE, CORNER FLANGED, SOLISTRAND™ | | |
| SIZE C | CAGE CODE 00779 | DRAWING NO C=34489 |
| SCALE 10:1 | SHEET 1 OF 1 | |

X-ON Electronics

Largest Supplier of Electrical and Electronic Components

Click to view similar products for [Terminals](#) category:

Click to view products by [TE Connectivity](#) manufacturer:

Other Similar products are found below :

[00-054007-01074-6](#) [00-054007-70206-1](#) [00-054007-70210-8](#) [00-054007-70217-7](#) [00-054007-70226-9](#) [00-054007-70228-3](#) [00-054007-70248-1](#) [00-054007-70256-6](#) [00-054007-70301-3](#) [00-054007-70316-7](#) [00-054007-49560-4](#) [00-054007-70209-2](#) [00-054007-70225-2](#) [00-054007-70227-6](#) [00-054007-70231-3](#) [00-054007-70241-2](#) [00-054007-70242-9](#) [00-054007-70244-3](#) [00-054007-70246-7](#) [00-054007-70263-4](#) [00-054007-70288-7](#) [00-054007-70290-0](#) [00-054007-70300-6](#) [00-054007-70304-4](#) [01-2065-1-0216](#) [01-2900-1-04412](#) [00581P0075](#) [600TS-10](#) [60205-1](#) [604200-1](#) [605601-1](#) [60598-1-CUT-TAPE](#) [61314-6-C](#) [61810-3](#) [61-S](#) [61-SN](#) [626-0194](#) [62-NBM-A](#) [62-SN](#) [62-SP](#) [63-S](#) [640179-1](#) [M55155/059I03](#) [M55155/079C01](#) [M55155/099H02](#) [M55155/109H01](#) [M55155/109H02](#) [M55155/12XH05](#) [M55155/16XH02](#) [M55155/29-5S](#)