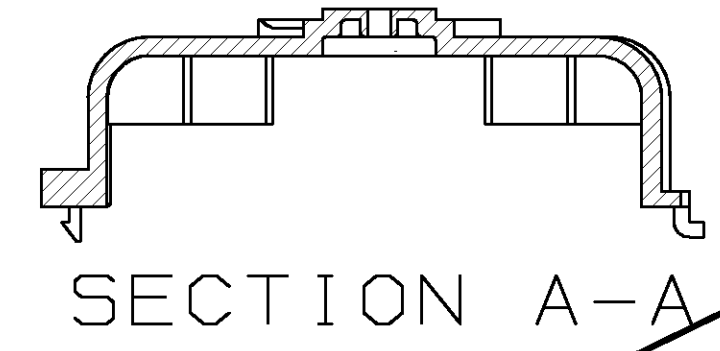
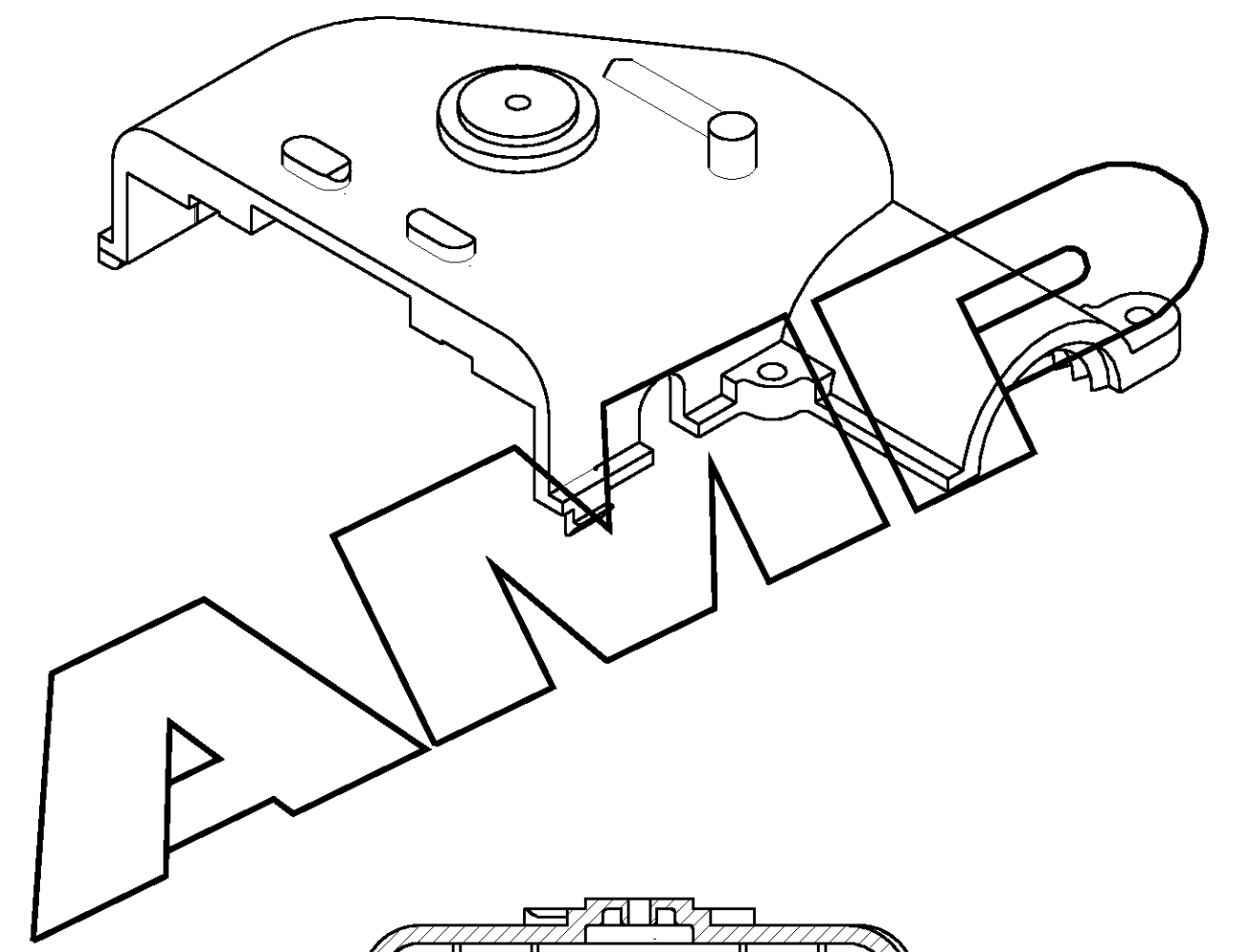
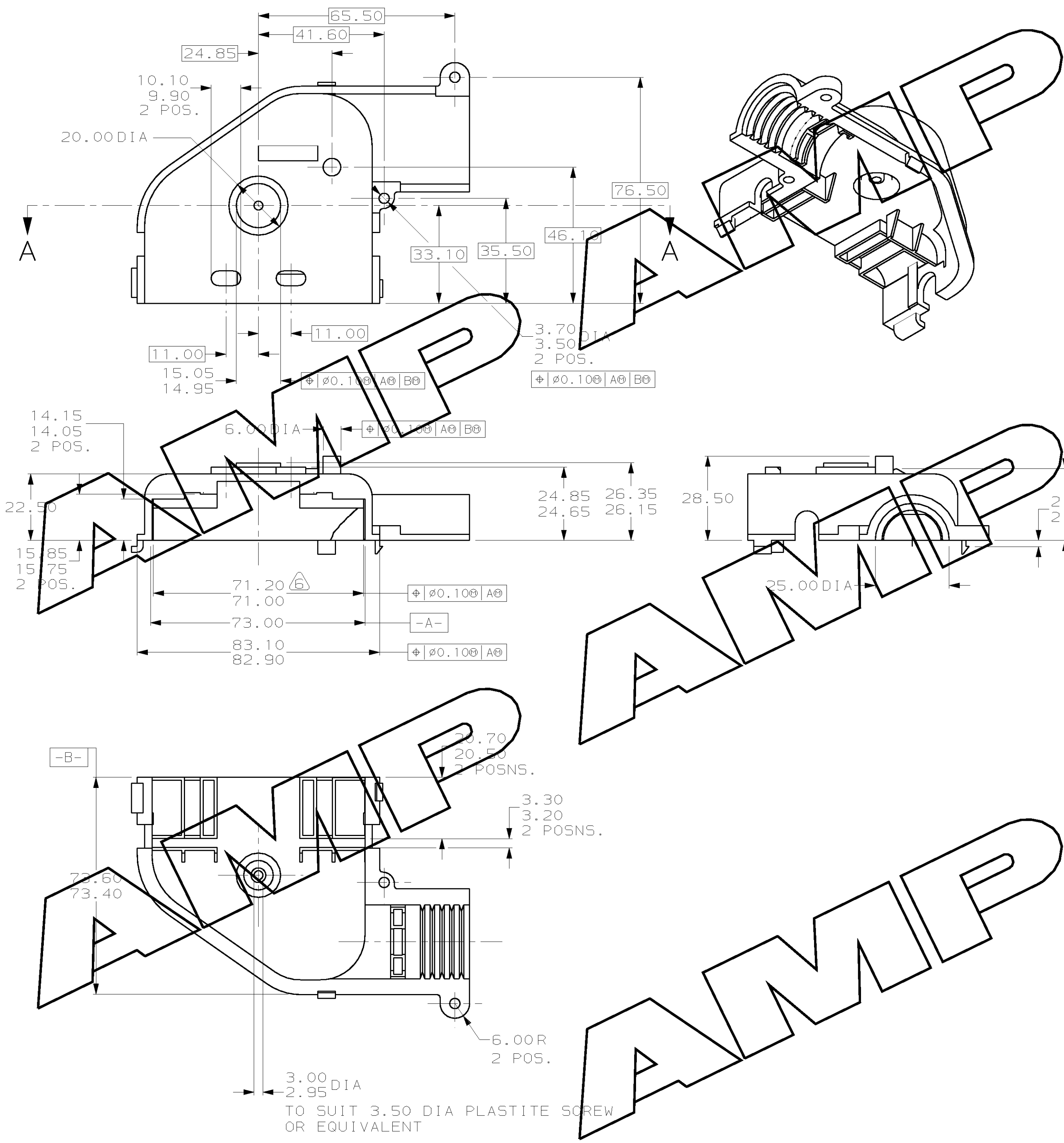


C.A.D. FILE CODE
S.346237

DO NOT SCALE DIMENSIONS IN MM.



NOTES

1. MATERIAL TO BE 3% GLASS FILLED NYLON
 2. THIS ITEM MATES WITH PART NUMBER 346238-1
 3. THIS HALF CONTAINS INTEGRALLY MOULDED WIRE STRAIN RELIEF
 4. PART NUMBERS OF REFERENCE ASSYS. 346352-1 AND 346353-1
 5. COLOUR TO BE BLACK
- ⚠ THIS DIMENSION REFERS TO TUNABLE LOCATION RIE

CUSTOMER DWG FOR REFERENCE ONLY				©COPYRIGHT 1991 BY AMP OF GREAT BRITAIN LTD. RELEASED FOR PUBLICATION ALL INTERNATIONAL RIGHTS RESERVED. ALL PRODUCTS MAY BE COVERED BY BRITISH AND FOREIGN PATENTS AND/OR PATENTS PENDING.			
				TOLERANCES UNLESS OTHERWISE STATED :		DR. P. N. TANNER 25/11/91	
				DEC ± 0.5		CH. M. MCGREGOR APP. J. PALMER	
				ANGLES ± 1°		AMP of Great Britain Ltd. TERMINAL HOUSE STANMORE MIDD.	
B	RS	ECR-06-004496	24-02-06	NAME STRAIN RELIEF COVER UPPER HALF (36 WAY ECONOSEAL)			
3	P. N. TANNER	C8024	6/1/92	SCALE	LOC	SIZE	DWG. No.
2	P. TANNER	C5969	25/11/91	1/1	E	A2	346237
1	H. COLLINS	-	25/6/91	REV	APPROVED	ECN	DATE

X-ON Electronics

Largest Supplier of Electrical and Electronic Components

Click to view similar products for [Automotive Connectors](#) category:

Click to view products by [TE Connectivity](#) manufacturer:

Other Similar products are found below :

[003-018-000](#) [600858](#) [60403001](#) [60993906-B](#) [60993913-B](#) [629515004020001](#) [M902-2131](#) [M902-2161](#) [M902-2344](#) [72.330.1035.1](#)
[73.353.4028.0](#) [F118010](#) [F119300-B](#) [F132210](#) [F132210-B](#) [F166900](#) [F180100](#) [F258300](#) [F258300-B](#) [F294300-B](#) [F339100](#) [F339700](#) [F358300-](#)
[B](#) [F374110](#) [F407400](#) [F412210](#) [F427600](#) [F444110](#) [F487000](#) [F495100-B](#) [F500900-B](#) [F509500B-B](#) [770444-1](#) [776880-1](#) [827153-1](#) [881735-1](#)
[8N1515-32-24P](#) [9-1326727-8](#) [9-1326729-8](#) [925467-1](#) [925474-1](#) [928905-1](#) [936398-2](#) [964562-1](#) [964562-4](#) [964731-2](#) [965051-1](#) [968782-1](#)
[GT17SA-8DS-HU](#) [GT17VS-10DP-5.2CF](#)