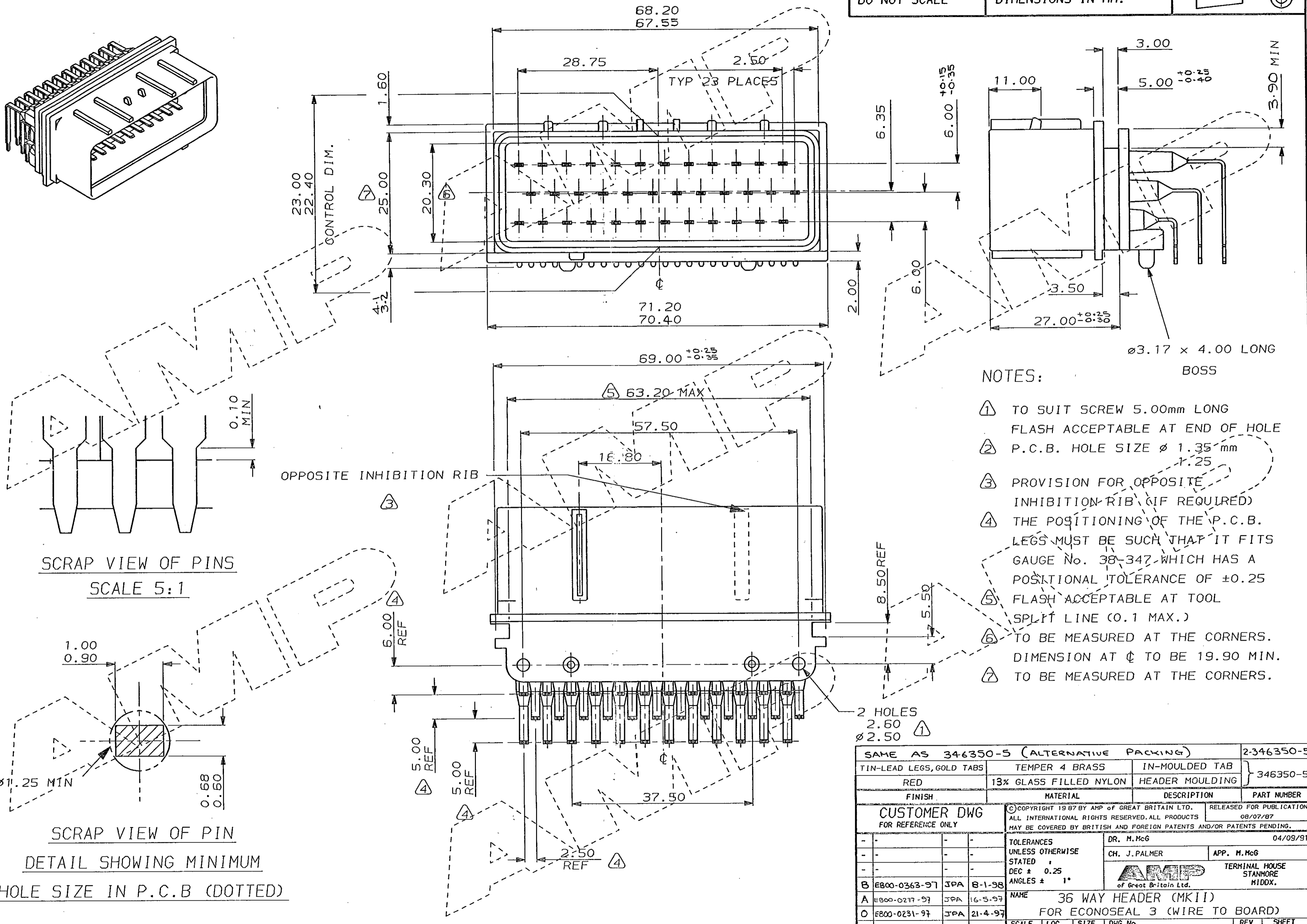
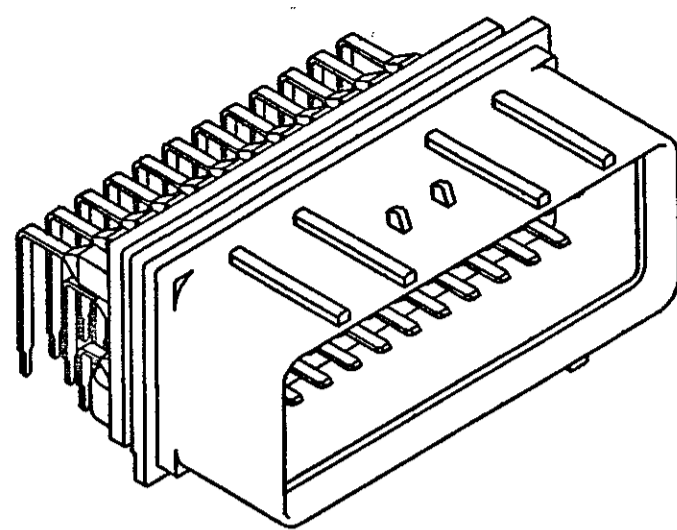


C.A.D. FILE CODE
S. C346350.

DO NOT SCALE DIMENSIONS IN MM.



- NOTES:
- 1 TO SUIT SCREW 5.00mm LONG
FLASH ACCEPTABLE AT END OF HOLE
 - 2 P.C.B. HOLE SIZE ϕ 1.35 mm
 - 3 PROVISION FOR OPPOSITE
INHIBITION RIB (IF REQUIRED)
 - 4 THE POSITIONING OF THE P.C.B.
LEGS MUST BE SUCH THAT IT FITS
GAUGE No. 38-347 WHICH HAS A
POSITIONAL TOLERANCE OF ± 0.25
 - 5 FLASH ACCEPTABLE AT TOOL
SPLIT LINE (0.1 MAX.)
 - 6 TO BE MEASURED AT THE CORNERS.
DIMENSION AT ϕ TO BE 19.90 MIN.
 - 7 TO BE MEASURED AT THE CORNERS.

SAME AS 346350-5 (ALTERNATIVE PACKING)			2-346350-5
TIN-LEAD LEGS, GOLD TABS	TEMPER 4 BRASS	IN-MOULDED TAB	346350-5
RED	13% GLASS FILLED NYLON	HEADER MouldING	
FINISH	MATERIAL	DESCRIPTION	PART NUMBER
CUSTOMER DWG FOR REFERENCE ONLY		© COPYRIGHT 1987 BY AMP OF GREAT BRITAIN LTD. ALL INTERNATIONAL RIGHTS RESERVED. ALL PRODUCTS MAY BE COVERED BY BRITISH AND FOREIGN PATENTS AND/OR PATENTS PENDING.	
-		TOLERANCES UNLESS OTHERWISE STATED DEC \pm 0.25 ANGLES \pm 1°	DR. M. McG CH. J. PALMER APP. M. McG TERMINAL HOUSE STANMORE HIDD.
B	E800-0363-97	JPA	8-1-98
A	E800-0277-97	JPA	16-5-97
O	E800-0231-97	JPA	21-4-97
REV	M. McG	DATE	04/02/91
APPROVED	ECN	DATE	2/1 E A2 C346350
NAME 36 WAY HEADER (MKII) FOR ECONOSEAL 3 (WIRE TO BOARD)			REV B SHEET 1/1

X-ON Electronics

Largest Supplier of Electrical and Electronic Components

Click to view similar products for [Automotive Connectors](#) category:

Click to view products by [TE Connectivity](#) manufacturer:

Other Similar products are found below :

[003-018-000](#) [60403001](#) [60993906-B](#) [M902-2131](#) [M902-2161](#) [72.330.1035.1](#) [73.353.4028.0](#) [F119300-B](#) [F166900](#) [F258300-B](#) [F358300-B](#)
[F407400](#) [F444110](#) [F487000](#) [F509500B-B](#) [827153-1](#) [8N1515-32-24P](#) [9-1326729-8](#) [925474-1](#) [928905-1](#) [964562-4](#) [968782-1](#) [GT17SA-8DS-](#)
[HU](#) [98891-1012](#) [98947-1016](#) [12004147](#) [12004475-L](#) [12010290](#) [12010309-B](#) [12015454](#) [12020219-B](#) [12020308](#) [12041318-B](#) [12052225-L](#)
[12052466](#) [12059125](#) [12064869](#) [12004327-B](#) [12010503-B](#) [12015308](#) [12015384](#) [12015909](#) [1-21030-1](#) [12041254](#) [12041318](#) [12047946-B](#)
[12047957](#) [12047957-L](#) [12059473](#) [12066261](#)