

4

3

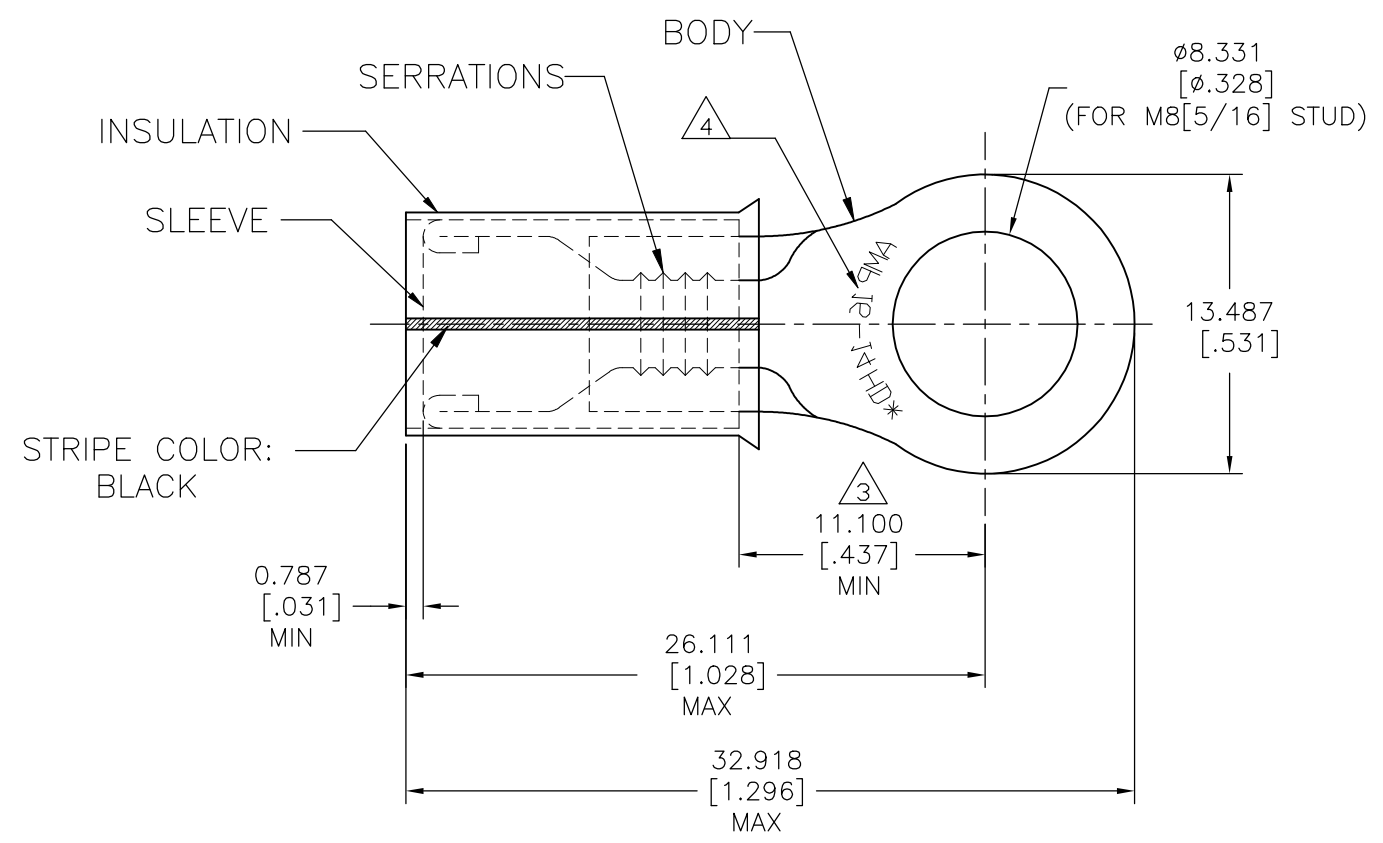
2

1

THIS DRAWING IS UNPUBLISHED. RELEASED FOR PUBLICATION  
 © COPYRIGHT - TE Connectivity Ltd. ALL RIGHTS RESERVED.

REVISIONS				
P	LTR	DESCRIPTION	DATE	APVD
	J1	REVISED PER ECO-17-008114	12JUN2018	RS DR

<b>AMP</b> WIRE RANGE	E13288 Listed	LR7189 Certified
16-14 AWG SOLID OR STRANDED	16-14 AWG SOLID OR STRANDED	16-14 AWG SOLID OR STRANDED



- 1 FOR 3.810 TO 6.350[.150 TO .250] WIRE INSULATION DIA
- 2 BODY MATERIAL THK: 1.219±0.051[.048±.002]
- 3 APPLIES FROM EDGE OF METAL WIRE BARREL TO CENTER OF STUD HOLE
- 4 STAMP AMP 16-14 HD\* APPROX AS SHOWN
- 5 MATERIAL:  
BODY & SLEEVE: COPPER PER ASTM B152  
INSULATION: NYLON
- 6 FINISH:  
BODY & SLEEVE: TIN PL PER ASTM B545  
INSULATION: COLOR - YELLOW

500	LOOSE PIECE	34810
QTY	PACKAGE TYPE	PART NO

THIS DRAWING IS A CONTROLLED DOCUMENT.		DWN RAVI S 12JUN2018	TE Connectivity Ltd.	
DIMENSIONS: mm [INCHES]		CHK ROHDE DANIEL F 12JUN2018		
TOLERANCES UNLESS OTHERWISE SPECIFIED:		APVD ROHDE DANIEL F 12JUN2018	NAME WIRE TERMINAL, P.I.D.G. - RING TONGUE WIRE SIZE: 16-14 AWG HD	
0 PLC ± - 1 PLC ± - 2 PLC ± - 3 PLC ± 0.127[.005] 4 PLC ± - ANGLES ± 5°		PRODUCT SPEC UL 486 A-B	SIZE A3	
MATERIAL		APPLICATION SPEC 114-2157	CAGE CODE 00779	DRAWING NO 34810
FINISH		WEIGHT	RESTRICTED TO -	
5		CUSTOMER DRAWING		SCALE NTS
6		SHEET 1 OF 1		REV J1

## X-ON Electronics

Largest Supplier of Electrical and Electronic Components

*Click to view similar products for [Terminals](#) category:*

*Click to view products by [TE Connectivity](#) manufacturer:*

Other Similar products are found below :

[00-054007-01074-6](#) [00-054007-70206-1](#) [00-054007-70210-8](#) [00-054007-70217-7](#) [00-054007-70226-9](#) [00-054007-70228-3](#) [00-054007-70248-1](#) [00-054007-70256-6](#) [00-054007-70301-3](#) [00-054007-70316-7](#) [00-054007-49560-4](#) [00-054007-70209-2](#) [00-054007-70225-2](#) [00-054007-70227-6](#) [00-054007-70231-3](#) [00-054007-70241-2](#) [00-054007-70242-9](#) [00-054007-70244-3](#) [00-054007-70246-7](#) [00-054007-70263-4](#) [00-054007-70288-7](#) [00-054007-70290-0](#) [00-054007-70300-6](#) [00-054007-70304-4](#) [01-2065-1-0216](#) [01-2900-1-04412](#) [00581P0075](#) [600TS-10](#) [60205-1](#) [604200-1](#) [605601-1](#) [60598-1-CUT-TAPE](#) [61314-6-C](#) [61810-3](#) [61-S](#) [61-SN](#) [626-0194](#) [62-NBM-A](#) [62-SN](#) [62-SP](#) [63-S](#) [640179-1](#) [M55155/059I03](#) [M55155/079C01](#) [M55155/099H02](#) [M55155/109H01](#) [M55155/109H02](#) [M55155/12XH05](#) [M55155/16XH02](#) [M55155/29-5S](#)