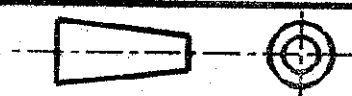
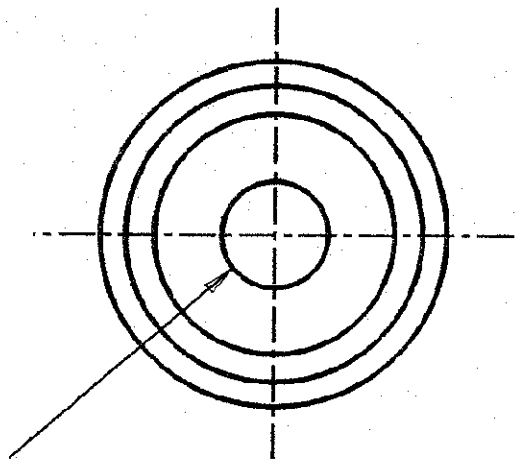


DO NOT SCALE

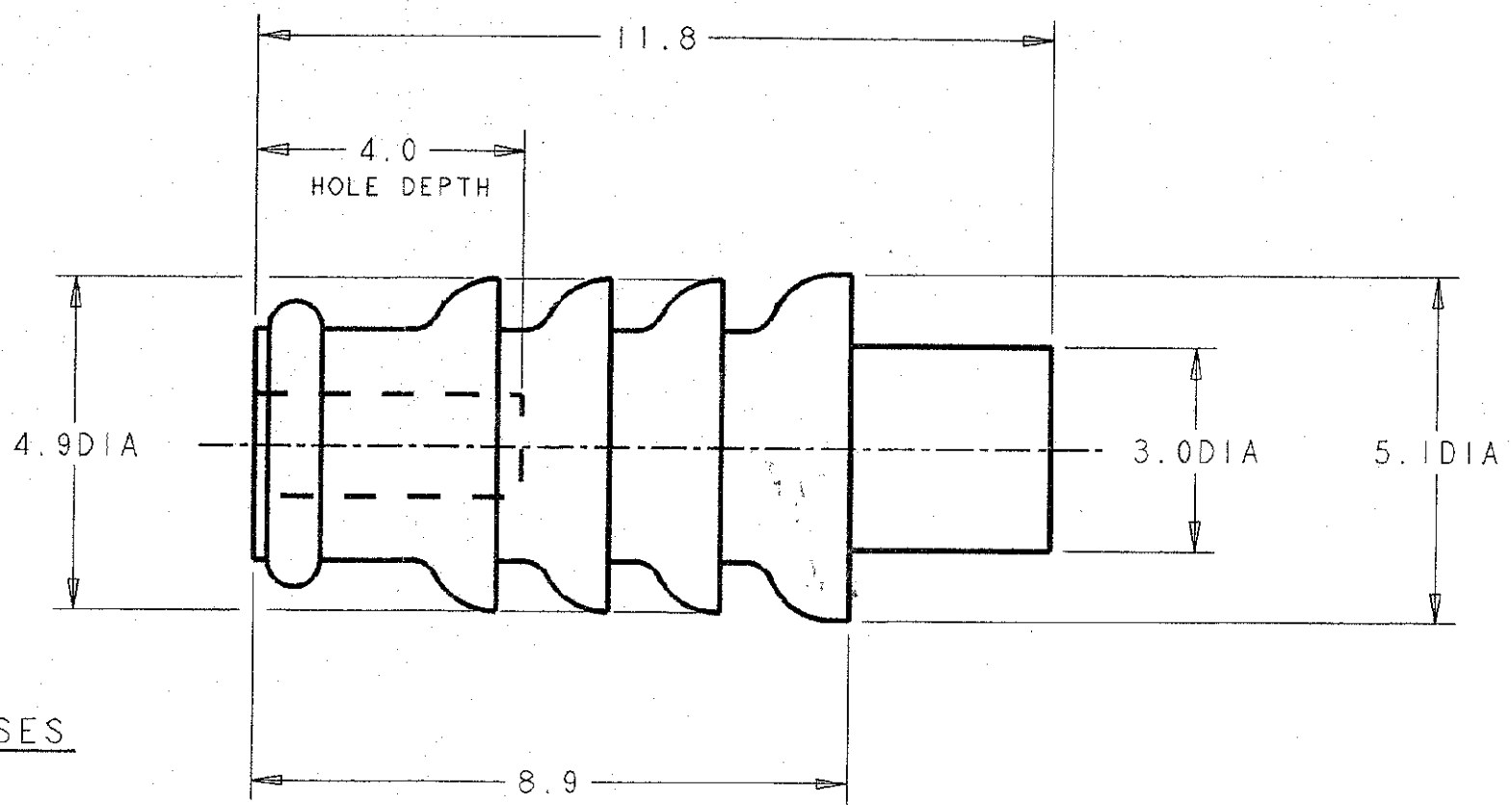
DIMENSIONS IN MM.



AMP



HOLE: 1.5 DIA FOR TOOLING PURPOSES
(Optional hole for tooling purposes)



THIS PLUG IS SUITABLE FOR BLANKING OFF UNUSED CAVITIES IN ECONOSEAL 3 LOW CURRENT CONNECTORS.

GREY		SELF-LUBRICATING SILICONE RUBBER		348461-1	
FINISH		MATERIAL		PART NUMBER	
CUSTOMER DWG FOR REFERENCE ONLY			© COPYRIGHT 1993 BY AMP OF GREAT BRITAIN LTD. ALL INTERNATIONAL RIGHTS RESERVED. ALL PRODUCTS MAY BE COVERED BY BRITISH AND FOREIGN PATENTS AND/OR PATENTS PENDING.		
		TOLERANCES UNLESS OTHERWISE STATED :		DR. R.J.S. 22.9.93	
		DEC ± 0.5		CH. K.W. APP. J.P.	
		ANGLES ± 1°			
A1		NOTE ADDED	ECR-14-002006	12FEB2014	
A		RELEASED	EB00-0091-01	12.03.91	
2		TOOLING HOLE ADDED	EB00-0149-96	28.03.96	
1		PRELIM. ISSUE	EB00- -93	22.09.93	
REV		MODIFICATION	CHANGE No.	DATE	
		SCALE		LOC	SIZE
		10/1		E	A 3
		DWG.No.		REV	SHEET
		C348461		A1	1 / 1

CAVITY REAR PLUG
ECONOSEAL 3 LOW CURRENT

C.A.D. FILE CODE
348461

X-ON Electronics

Largest Supplier of Electrical and Electronic Components

Click to view similar products for [Automotive Connectors](#) category:

Click to view products by [TE Connectivity](#) manufacturer:

Other Similar products are found below :

[003-018-000](#) [60403001](#) [60993906-B](#) [M902-2131](#) [M902-2161](#) [M902-2344](#) [72.330.1035.1](#) [73.353.4028.0](#) [F119300-B](#) [F166900](#) [F258300-B](#)
[F358300-B](#) [F407400](#) [F444110](#) [F487000](#) [F509500B-B](#) [827153-1](#) [8N1515-32-24P](#) [9-1326729-8](#) [925474-1](#) [928905-1](#) [964562-4](#) [968782-1](#)
[GT17SA-8DS-HU](#) [98891-1012](#) [98947-1016](#) [12004147](#) [12004475-L](#) [12010290](#) [12010309-B](#) [12015454](#) [12020219-B](#) [12041318-B](#) [12052225-](#)
[L](#) [12052466](#) [12064869](#) [12004327-B](#) [12015308](#) [12015384](#) [12015909](#) [1-21030-1](#) [12041254](#) [12041318](#) [12047946-B](#) [12047957](#) [12047957-L](#)
[12059473](#) [12066261](#) [12110546](#) [12110546-B](#)