

THIS DRAWING IS UNPUBLISHED.

RELEASED FOR PUBLICATION

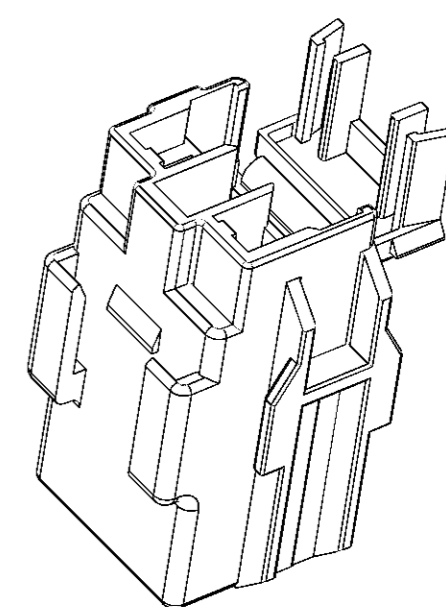
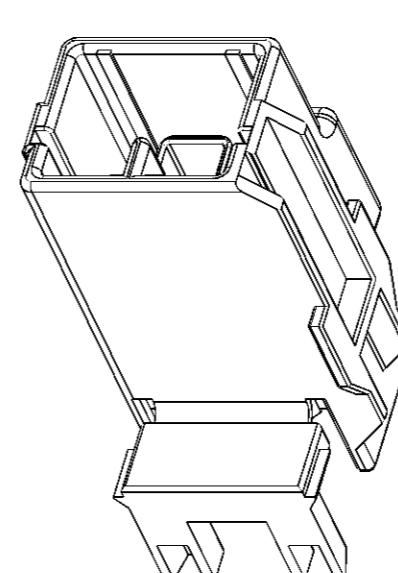
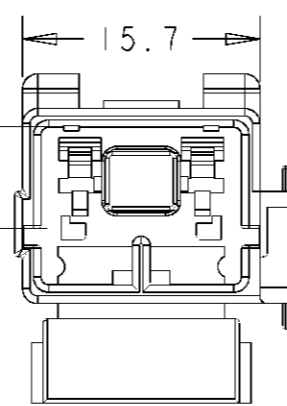
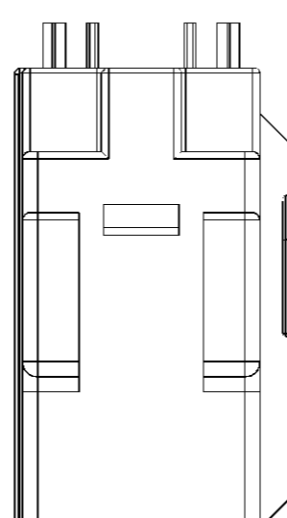
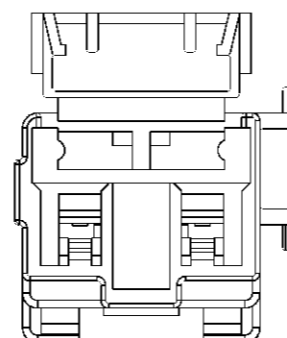
20

© COPYRIGHT 20

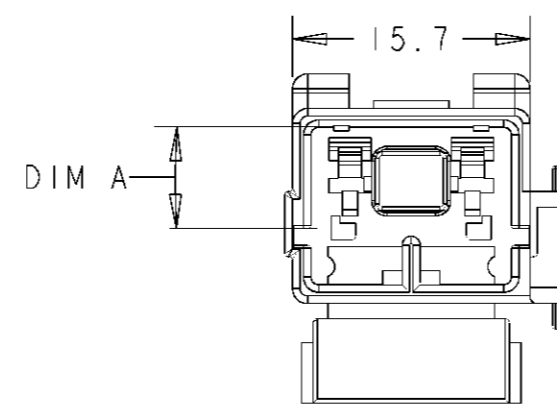
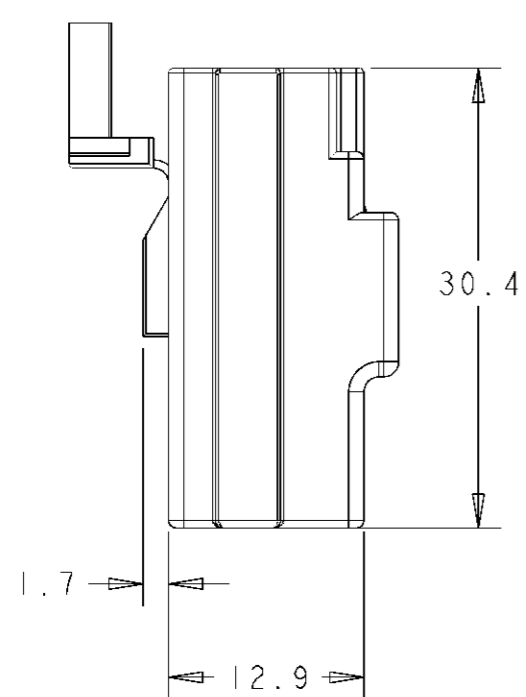
BY -

ALL RIGHTS RESERVED.

LOC	DIST	REVISIONS					
		P	LTR	DESCRIPTION	DATE	DWN	APVD
E	B	G2		REVISED PER ECO-11-005150	28MAR11	RK	HMR



SCALE 2:1



NOTES:

- 348794-5 MATES WITH 348793-5
348794-4 MATES WITH 348793-4
348794-3 MATES WITH 348793-3
348794-2 MATES WITH 348793-2
348794-1 MATES WITH 348793-1
- TAB FOR 0.5mm WIRE :
- SUITABLE BODY MOUNTING CLIP 345484-1
SEE SHEET 2 FOR DETAILS
- DRAWING REVISION MARKED ON PRODUCT HOUSING

1.8 - 2.1MM	6.7	PALE YELLOW	348794-5
1.6 - 1.8MM	6.7	BRIGHT YELLOW	348794-4
1.8 - 2.1MM	4.6	BRIGHT YELLOW	348794-3
1.6 - 1.8MM	4.6	BLUE	348794-2
1.6 - 1.8MM	6.7	PALE YELLOW	348794-1
INSULATION DIA	DIM A	COLOUR	PART NO

DWN P. GAULTON 10/06/94		STE TE Connectivity	
CHK D. KUIPER-MOORE 09/01/96			
APVD R. SIMMONS 9/01/96		NAME 2 WAY SHORTING CONNECTOR TAB HOUSING	
PRODUCT SPEC 108-3371		-	
APPLICATION SPEC -		RESTRICTED TO -	
MATERIAL PA 66		SIZE A3	CAGE CODE 00779
FINISH -		DRAWING NO C-348794	
TOLERANCES UNLESS OTHERWISE SPECIFIED:		SCALE 2/1	
0 PLC ±-		SHEET 1 OF 2	
1 PLC ±0.5		REV G2	
2 PLC ±0.5			
3 PLC ±0.5			
4 PLC ±-			
ANGLES ±2			
CUSTOMER DRAWING			

THIS DRAWING IS UNPUBLISHED.

RELEASED FOR PUBLICATION

© COPYRIGHT

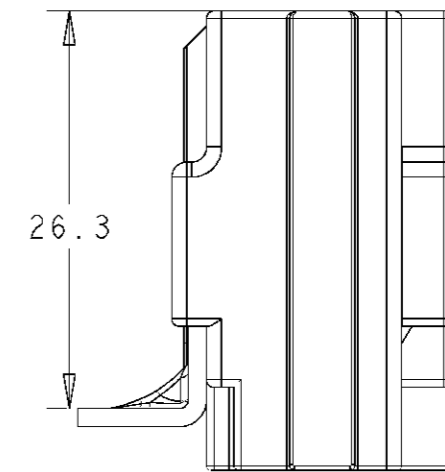
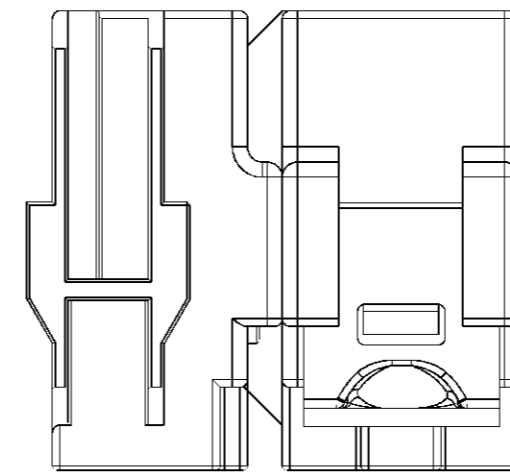
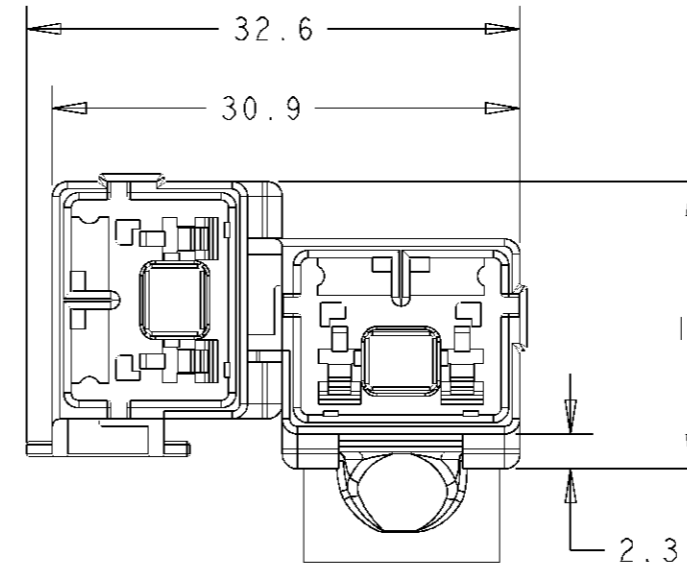
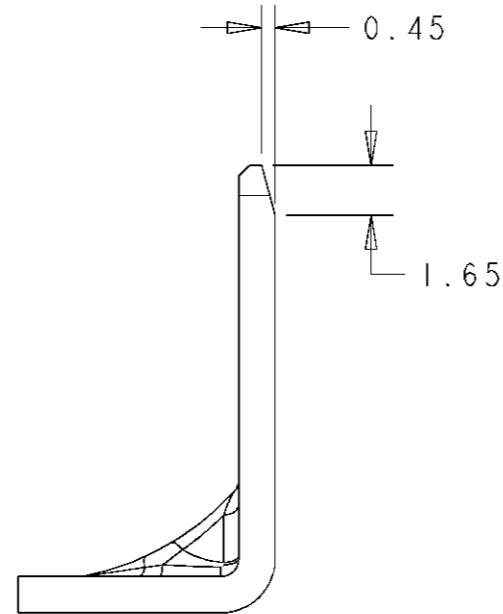
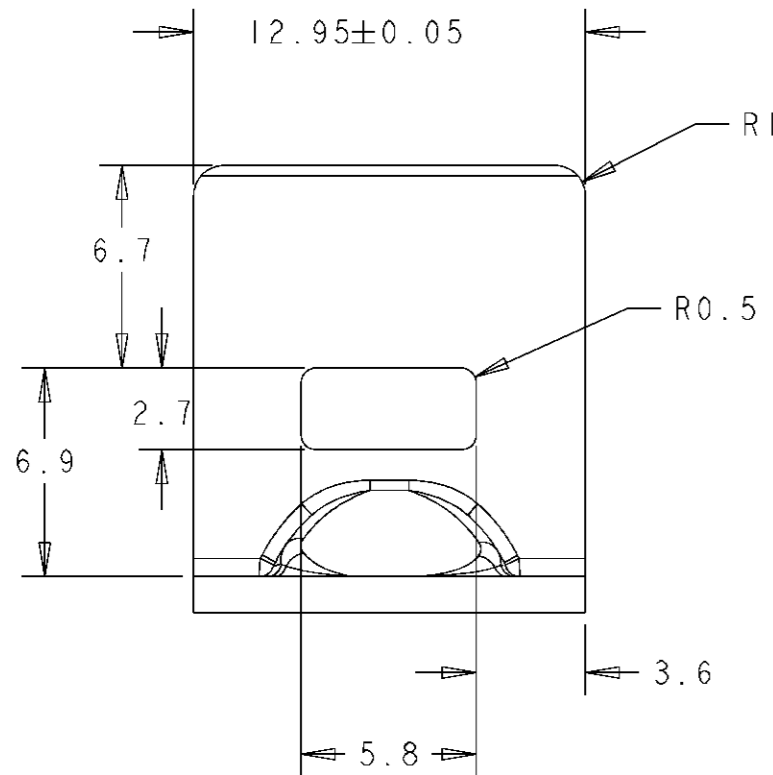
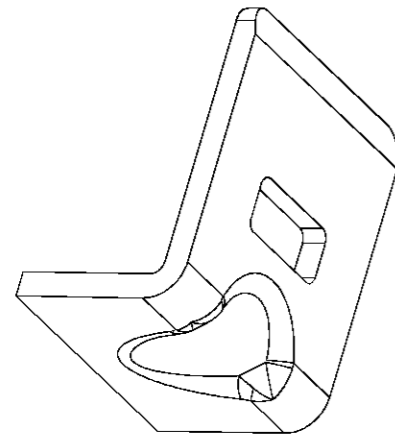
BY -

ALL RIGHTS RESERVED.

LOC	DIST
E	B

REVISIONS

P	LTR	DESCRIPTION	DATE	DWN	APVD
-		SEE SHEET 1	-	-	-



MOUNTING TAB DETAILS

SCALE 4:1


MATERIAL: STEEL 1.15 - 1.25 THICK

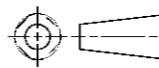
DIMENSIONING OF STRENGTHENING RIB TO SUIT TOOL DESIGNER

VIEWS OF STACKED HOUSINGS MOUNTED ON TAB

SCALE 2:1

HOUSINGS SHOWN WITH ANTI-BACKOUTS IN FINAL POSITION

DWN P. GAULTON 10/10/94		 TE Connectivity	
CHK D. KUIPER-MOORE 9-1-96			
APVD R. SIMMONS 9-1-96		NAME	
PRODUCT SPEC		2 WAY SHORTING CONNECTOR TAB HOUSING MOUNTING DETAILS	
APPLICATION SPEC		RESTRICTED TO	
-		SIZE	CAGE CODE
WEIGHT		A3	00779
CUSTOMER DRAWING		DRAWING NO	C-348794
SCALE 2/1		SHEET 2 OF 2	REV G2

DIMENSIONS:	TOLERANCES UNLESS OTHERWISE SPECIFIED:
mm	
	0 PLC ±-
	1 PLC ±0.5
	2 PLC ±0.5
	3 PLC ±0.5
	4 PLC ±-
	ANGLES ±2
MATERIAL PA 66	FINISH -

X-ON Electronics

Largest Supplier of Electrical and Electronic Components

Click to view similar products for [Automotive Connectors](#) category:

Click to view products by [TE Connectivity](#) manufacturer:

Other Similar products are found below :

[003-018-000](#) [60993906-B](#) [72.330.1035.1](#) [776880-1](#) [827153-1](#) [9-1326729-8](#) [9-221607-5](#) [925474-1](#) [928905-1](#) [964562-4](#) [968782-1](#) [12004468](#)
[12004475-L](#) [12004483](#) [12052466](#) [12066163](#) [12015909](#) [12077753](#) [1-21030-1](#) [12047957](#) [12047958](#) [12084688](#) [12185550](#) [12336-12](#) [1-](#)
[326211-1](#) [13681974](#) [13688972](#) [13755420](#) [13779834](#) [13783086](#) [13843152](#) [13522378](#) [13581967](#) [13669624](#) [13675513](#) [13753471](#) [13946876](#)
[13953457](#) [13955963](#) [13964573](#) [13971791](#) [13790534-L](#) [13797473](#) [13805590](#) [13888202](#) [1428188-1](#) [1437287-3](#) [1428188-2](#) [DS07-19S-5020](#)
[1456983-5](#)