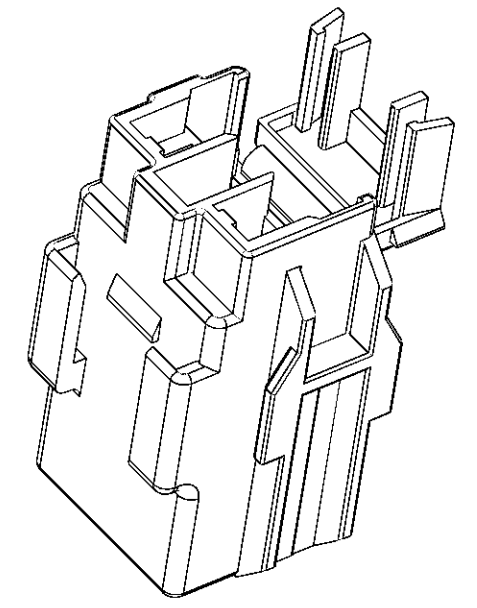
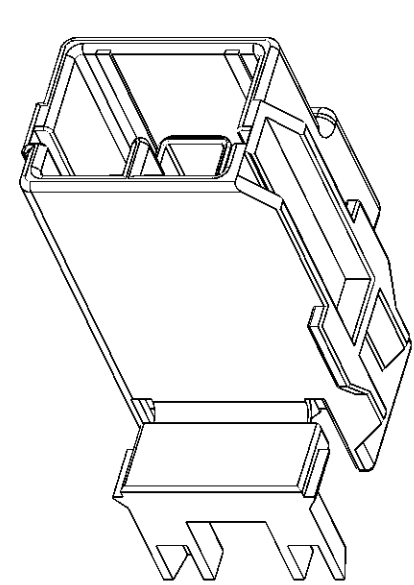
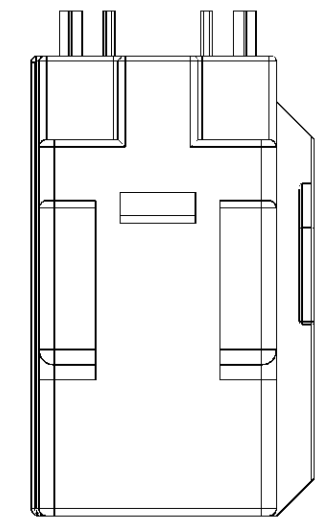
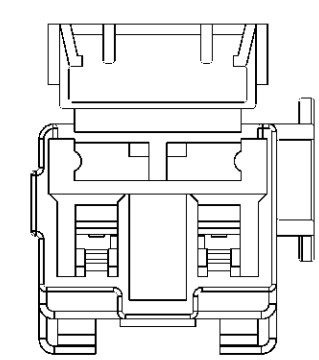
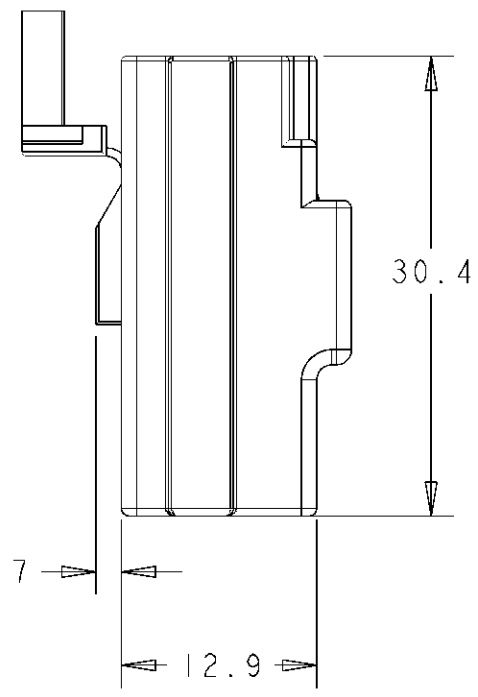
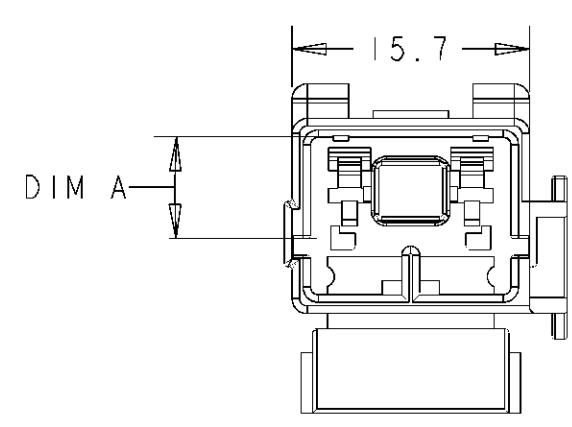


THIS DRAWING IS UNPUBLISHED. RELEASED FOR PUBLICATION 20
 © COPYRIGHT 20 BY - ALL RIGHTS RESERVED.

LOC	DIST	REVISIONS					
E	B	P	LTR	DESCRIPTION	DATE	DWN	APVD
		G2		REVISED PER ECO-11-005150	28MAR11	RK	HMR



SCALE 2:1



NOTES:

- 348794-5 MATES WITH 348793-5
 348794-4 MATES WITH 348793-4
 348794-3 MATES WITH 348793-3
 348794-2 MATES WITH 348793-2
 348794-1 MATES WITH 348793-1
- TAB FOR 0.5mm WIRE :
- SUITABLE BODY MOUNTING CLIP 345484-1
 SEE SHEET 2 FOR DETAILS
- DRAWING REVISION MARKED ON PRODUCT HOUSING

1.8 - 2.1MM	6.7	PALE YELLOW	348794-5
1.6 - 1.8MM	6.7	BRIGHT YELLOW	348794-4
1.8 - 2.1MM	4.6	BRIGHT YELLOW	348794-3
1.6 - 1.8MM	4.6	BLUE	348794-2
1.6 - 1.8MM	6.7	PALE YELLOW	348794-1
INSULATION DIA	DIM A	COLOUR	PART NO

DWN P. GAULTON 10/06/94		STE TE Connectivity	
CHK D. KUIPER-MOORE 09/01/96			
APVD R. SIMMONS 9/01/96		NAME 2 WAY SHORTING CONNECTOR TAB HOUSING	
PRODUCT SPEC 108-3371		-	
APPLICATION SPEC -		RESTRICTED TO -	
MATERIAL PA 66		SIZE A3	CAGE CODE 00779
FINISH -		DRAWING NO C-348794	
TOLERANCES UNLESS OTHERWISE SPECIFIED:		SCALE 2/1	
0 PLC ±-		SHEET 1 OF 2	
1 PLC ±0.5		REV G2	
2 PLC ±0.5			
3 PLC ±0.5			
4 PLC ±-			
ANGLES ±2			
DIMENSIONS: mm			
WEIGHT -			
CUSTOMER DRAWING			

THIS DRAWING IS UNPUBLISHED.

RELEASED FOR PUBLICATION

© COPYRIGHT

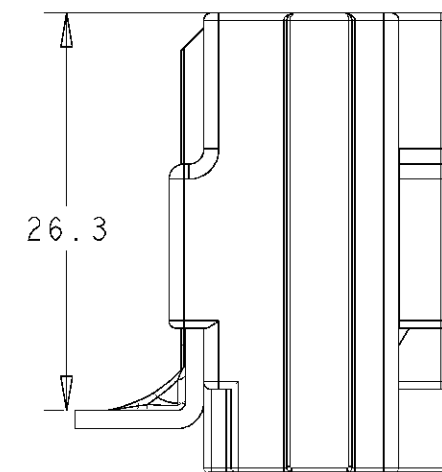
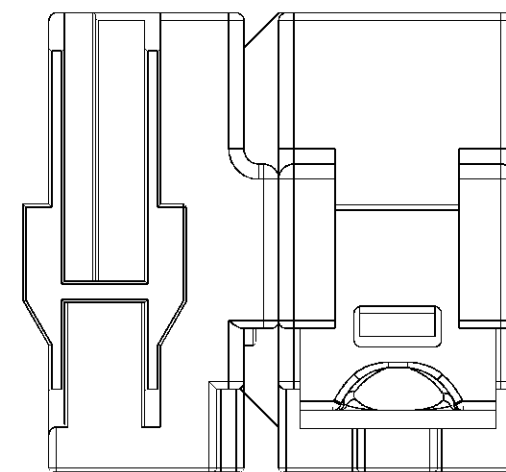
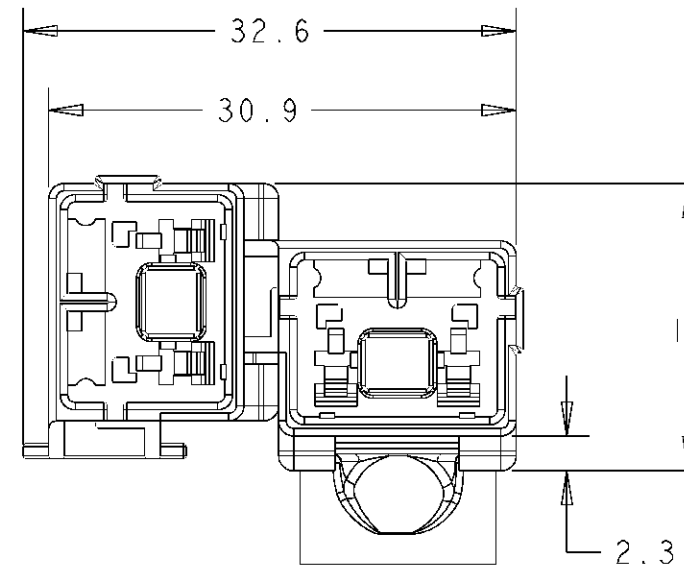
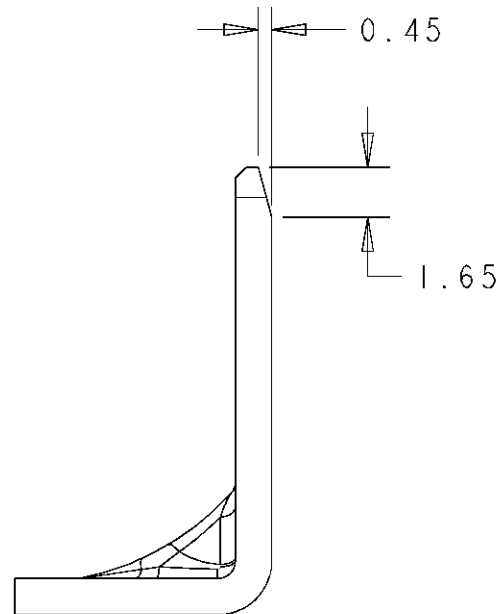
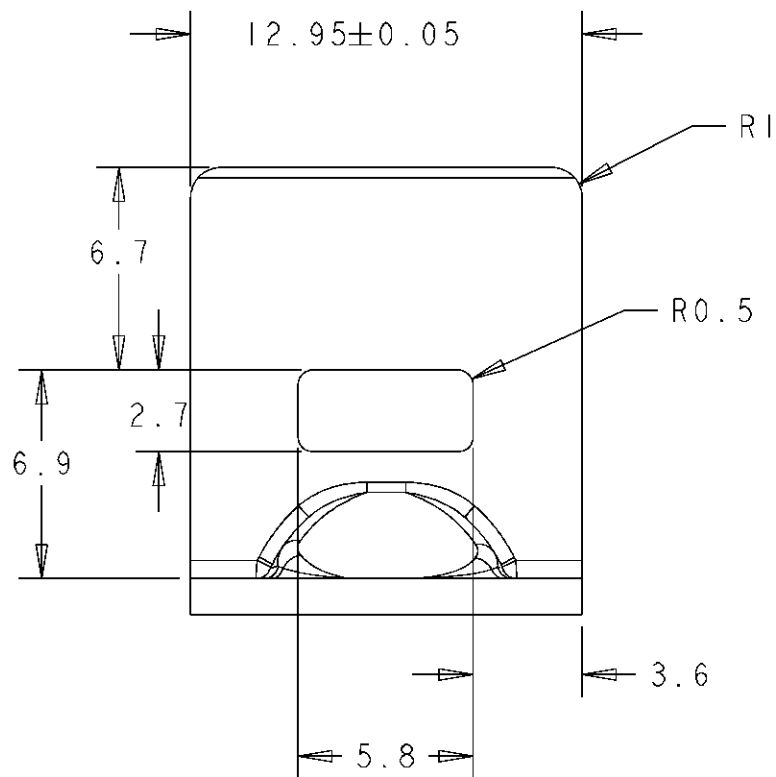
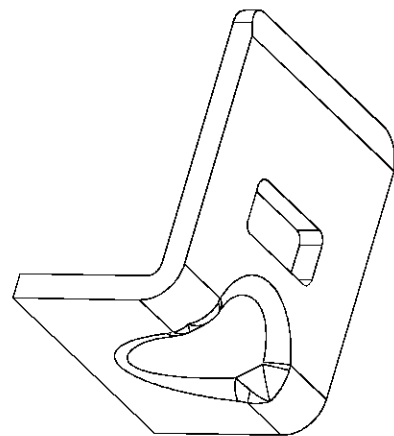
BY -

ALL RIGHTS RESERVED.

LOC	DIST
E	B

REVISIONS

P	LTR	DESCRIPTION	DATE	DWN	APVD
-		SEE SHEET 1	-	-	-



MOUNTING TAB DETAILS

SCALE 4:1


MATERIAL: STEEL 1.15 - 1.25 THICK

DIMENSIONING OF STRENGTHENING RIB TO SUIT TOOL DESIGNER

VIEWS OF STACKED HOUSINGS MOUNTED ON TAB

SCALE 2:1

HOUSINGS SHOWN WITH ANTI-BACKOUTS IN FINAL POSITION

DWN P. GAULTON 10/10/94		 TE Connectivity			
CHK D. KUIPER-MOORE 9-1-96					
APVD R. SIMMONS 9-1-96		NAME			
PRODUCT SPEC 108-3371		2 WAY SHORTING CONNECTOR TAB HOUSING MOUNTING DETAILS			
APPLICATION SPEC -		SIZE	CAGE CODE	DRAWING NO	RESTRICTED TO
MATERIAL PA 66		A3	00779	C-348794	-
FINISH -		SCALE 2/1		SHEET 2 OF 2	REV G2
CUSTOMER DRAWING					

X-ON Electronics

Largest Supplier of Electrical and Electronic Components

Click to view similar products for [Automotive Connectors](#) category:

Click to view products by [TE Connectivity](#) manufacturer:

Other Similar products are found below :

[003-018-000](#) [60403001](#) [60993906-B](#) [M902-2131](#) [M902-2161](#) [72.330.1035.1](#) [73.353.4028.0](#) [F119300-B](#) [F166900](#) [F258300-B](#) [F358300-B](#)
[F407400](#) [F444110](#) [F487000](#) [F509500B-B](#) [827153-1](#) [8N1515-32-24P](#) [9-1326729-8](#) [925474-1](#) [928905-1](#) [964562-4](#) [968782-1](#) [GT17SA-8DS-](#)
[HU](#) [98891-1012](#) [98947-1016](#) [12004147](#) [12004475-L](#) [12010290](#) [12010309-B](#) [12015454](#) [12020219-B](#) [12020308](#) [12041318-B](#) [12052225-L](#)
[12052466](#) [12059125](#) [12064869](#) [12004327-B](#) [12010503-B](#) [12015308](#) [12015384](#) [12015909](#) [1-21030-1](#) [12041254](#) [12041318](#) [12047946-B](#)
[12047957](#) [12047957-L](#) [12059473](#) [12066261](#)