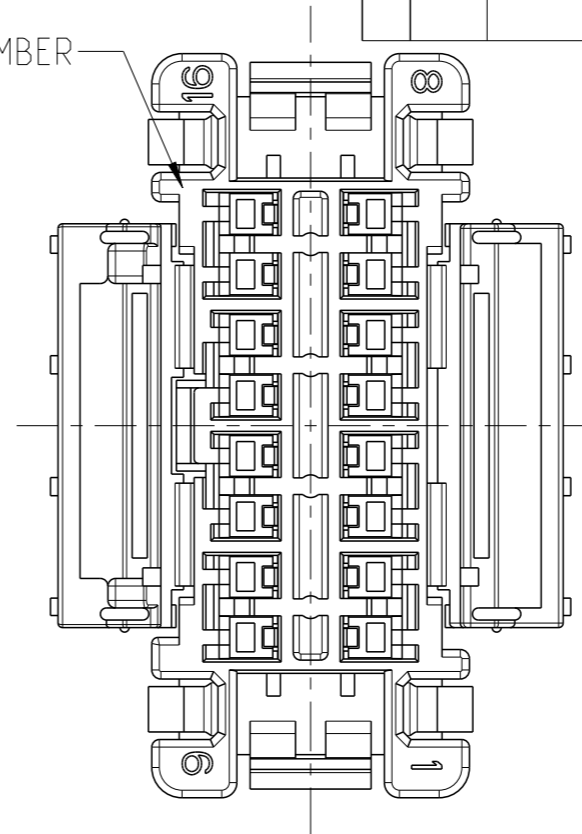
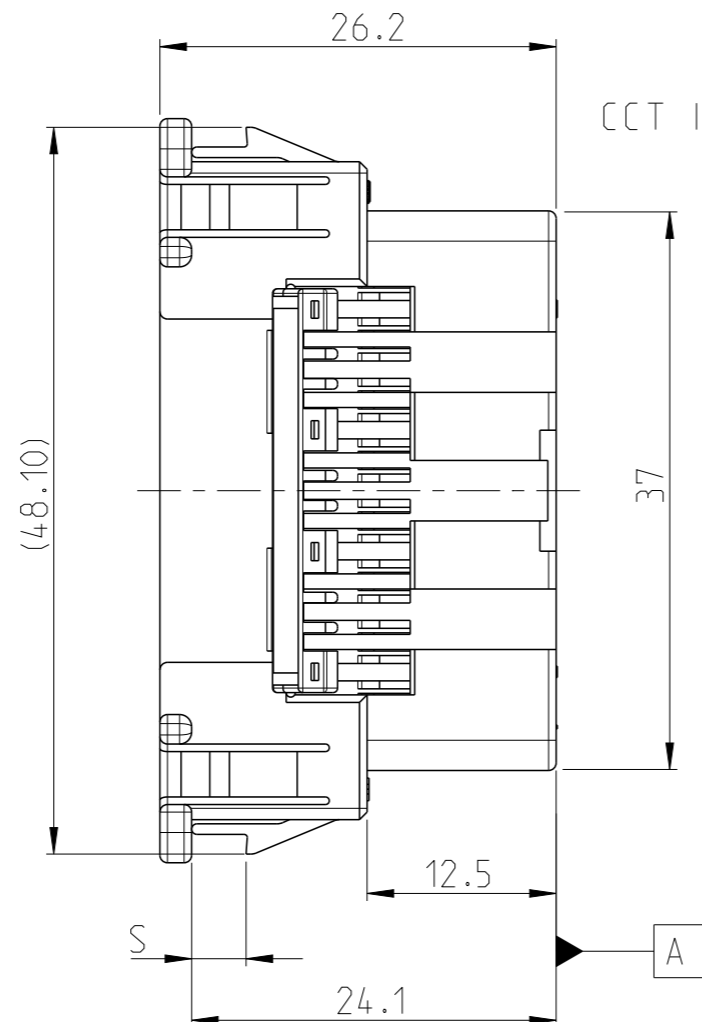
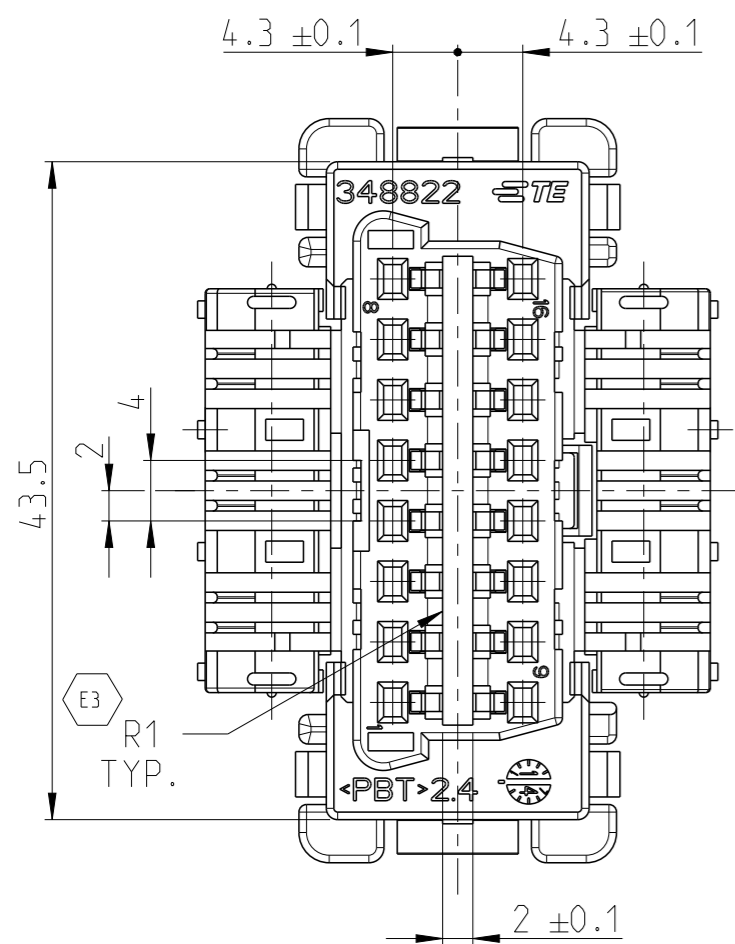
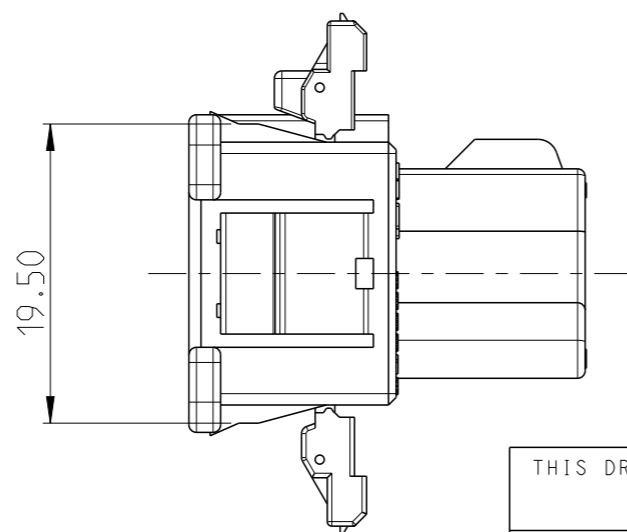


P	LTR	DESCRIPTION	DATE	DWN	APVD
	E2	REDRAWN TO CREO	17NOV2017	SCK	MN
	E3	CORRECTED DIMENSION FROM R0.1 TO R1	19NOV2019	SCK	MN



1. APPLICABLE RECPT. P/N 776001



1.8	1.2 ±0.05	GREY	PBT	348822-6
3.6	3.0 ±0.13	GREY	PBT	348822-3
3.6	3.0 ±0.13	BLACK	PBT	348822-2
"S" ±0.3	PANEL THICKNESS	COLOR	MATERIAL	PART NUMBER

THIS DRAWING IS A CONTROLLED DOCUMENT.

DWN M. MISTRY 22DEC1994

CHK P. GAULTON

APVD M. MISTRY

PRODUCT SPEC

APPLICATION SPEC

WEIGHT -

TE TE Connectivity

DIAGNOSTIC CONNECTOR
16 POSN PLUG HOUSING

SIZE CAGE CODE DRAWING NO RESTRICTED TO

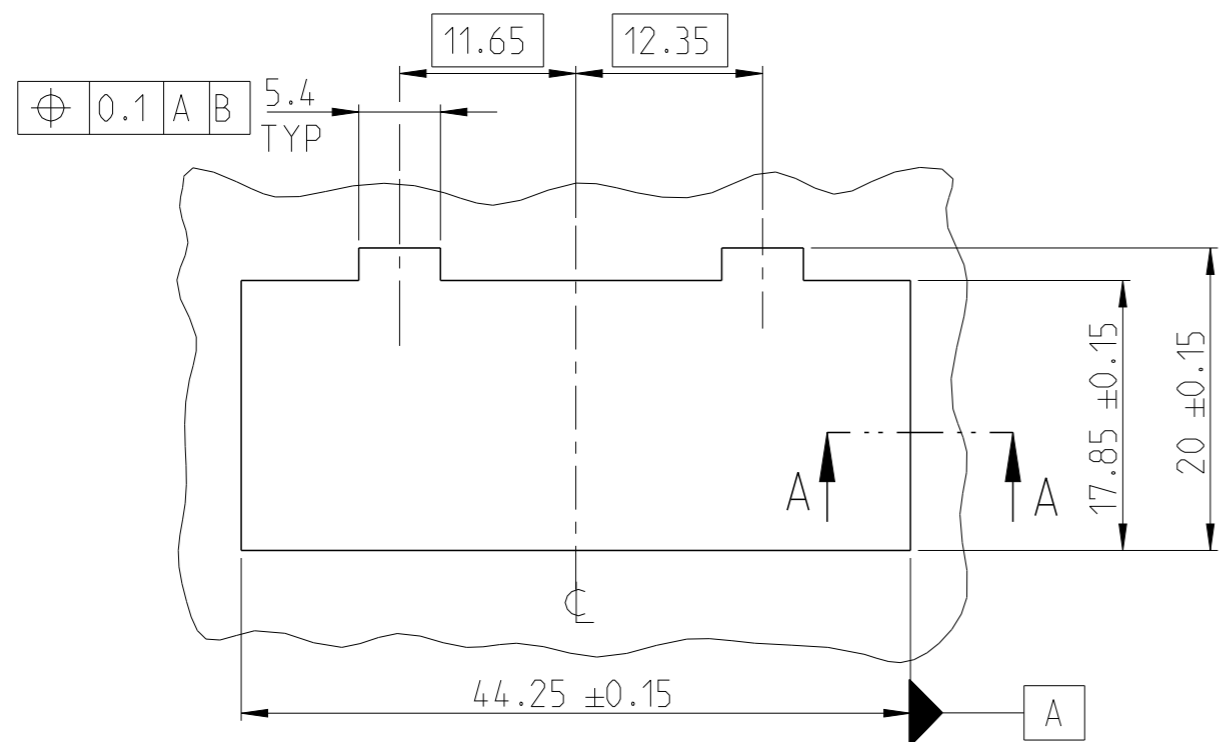
A3 00779 C-348822

CUSTOMER DRAWING SCALE 2:1 SHEET 1 OF 2 REV E3

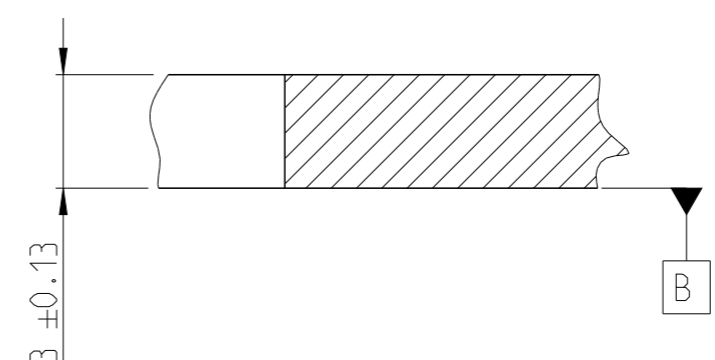
DIMENSIONS:	TOLERANCES UNLESS OTHERWISE SPECIFIED:
mm	
	0 PLC ±
	1 PLC ±
	2 PLC ± ±0.5
	3 PLC ±
	4 PLC ±
	ANGLES ±1°
MATERIAL	FINISH
-	-

REVISIONS

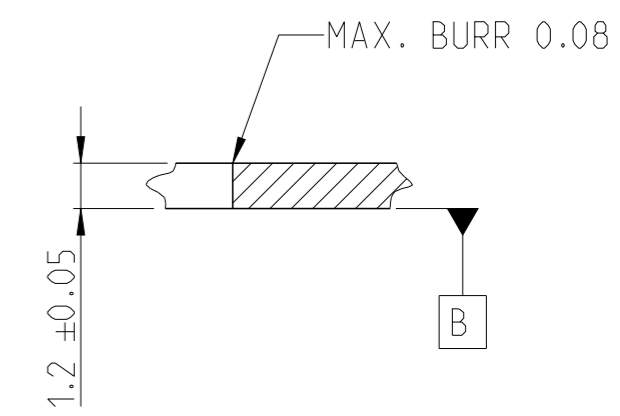
P	LTR	DESCRIPTION	DATE	DWN	APVD
		SEE SHEET 1			



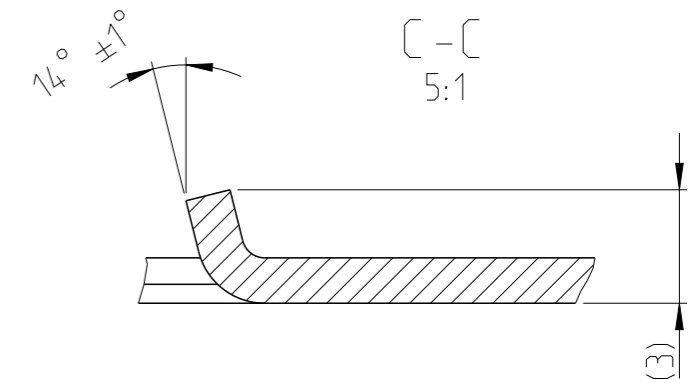
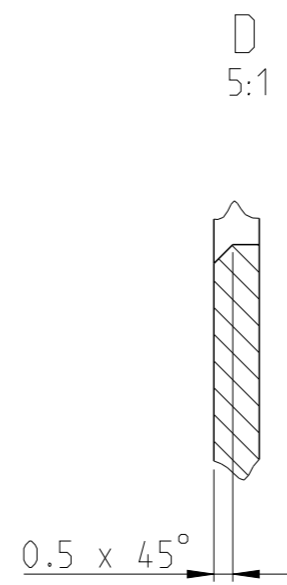
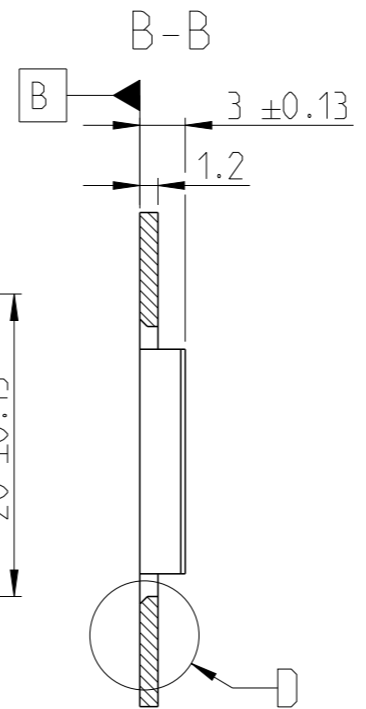
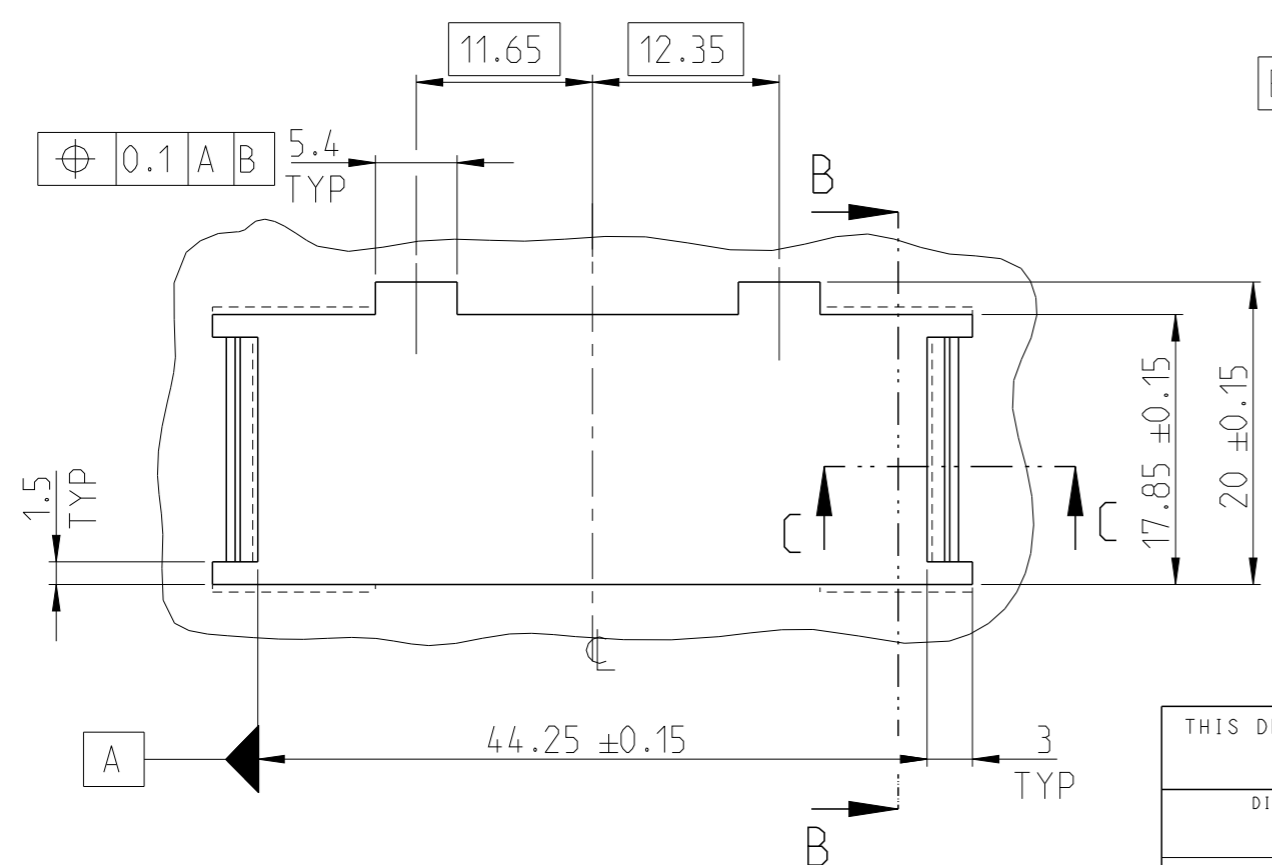
A-A
5:1
3.0mm PLASTIC PANEL CUTOUT



A-A
5:1
1.2mm METAL PANEL CUTOUT



RECOMMENDED 1.2mm METAL AND 3.0mm PLASTIC PANEL CUTOUT (MATING VIEW)



RECOMMENDED 3.0mm FORMED PANEL CUTOUT (MATING VIEW) FOR -2

THIS DRAWING IS A CONTROLLED DOCUMENT.		DWN M. MISTRY 22DEC1994	STE TE Connectivity													
DIMENSIONS: mm		CHK P. GAULTON														
TOLERANCES UNLESS OTHERWISE SPECIFIED:		APVD M. MISTRY	NAME													
<table border="1"> <tr><td>0 PLC</td><td>±</td></tr> <tr><td>1 PLC</td><td>±</td></tr> <tr><td>2 PLC</td><td>±</td></tr> <tr><td>3 PLC</td><td>±</td></tr> <tr><td>4 PLC</td><td>±</td></tr> <tr><td>ANGLES</td><td>±1°</td></tr> </table>		0 PLC	±	1 PLC	±	2 PLC	±	3 PLC	±	4 PLC	±	ANGLES	±1°	PRODUCT SPEC	DIAGNOSTIC CONNECTOR 16 POSN PLUG HOUSING	
0 PLC	±															
1 PLC	±															
2 PLC	±															
3 PLC	±															
4 PLC	±															
ANGLES	±1°															
MATERIAL		APPLICATION SPEC	SIZE A3	CAGE CODE 00779	DRAWING NO C-348822											
FINISH		WEIGHT	RESTRICTED TO													
		CUSTOMER DRAWING	SCALE 2:1	SHEET 2 OF 2	REV E3											

X-ON Electronics

Largest Supplier of Electrical and Electronic Components

Click to view similar products for [Automotive Connectors](#) category:

Click to view products by [TE Connectivity](#) manufacturer:

Other Similar products are found below :

[003-018-000](#) [60403001](#) [60993906-B](#) [M902-2131](#) [M902-2161](#) [72.330.1035.1](#) [73.353.4028.0](#) [F119300-B](#) [F166900](#) [F258300-B](#) [F358300-B](#)
[F407400](#) [F444110](#) [F487000](#) [F509500B-B](#) [827153-1](#) [8N1515-32-24P](#) [9-1326729-8](#) [925474-1](#) [928905-1](#) [964562-4](#) [968782-1](#) [GT17SA-8DS-](#)
[HU](#) [98891-1012](#) [98947-1016](#) [12004147](#) [12004475-L](#) [12010290](#) [12010309-B](#) [12015454](#) [12020219-B](#) [12020308](#) [12041318-B](#) [12052225-L](#)
[12052466](#) [12059125](#) [12064869](#) [12004327-B](#) [12010503-B](#) [12015308](#) [12015384](#) [12015909](#) [1-21030-1](#) [12041254](#) [12041318](#) [12047946-B](#)
[12047957](#) [12047957-L](#) [12059473](#) [12066261](#)